

A B C D

PART DESCRIPTION : TRANSFORMER

Xmultiple Technologies

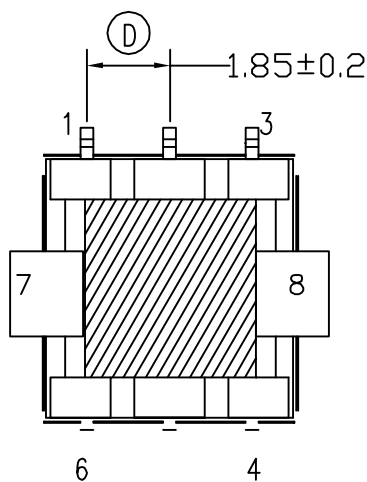
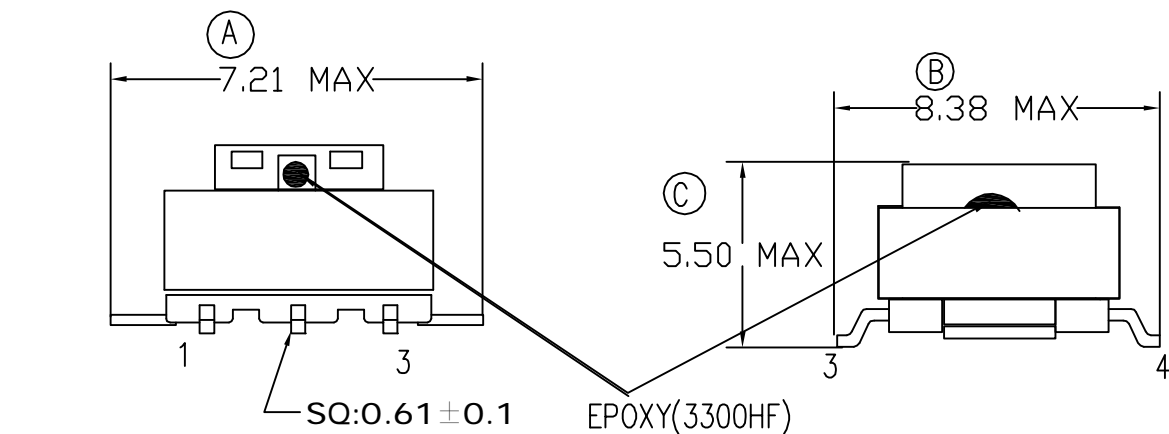
PART NO:
XF-EE5YB33-X503

XF-EE5YB33-X503

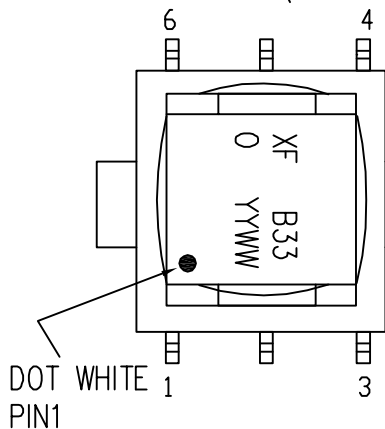
REVISION:

REVISION:

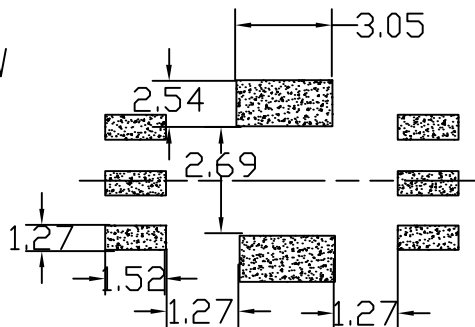
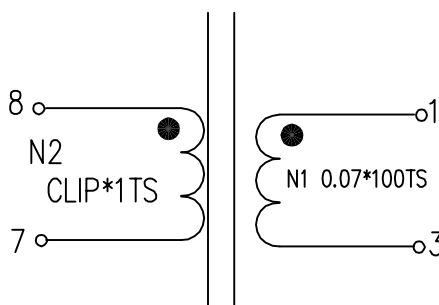
1.1.DIMENSIONS: UNIT:(mm)



BOTTOM VIEW



2.SCHEMATIC:



ATTENTION: All the information shown on this specification is strictly confidential In case of distribution without authorization from the manufacturer, penalties should be made

4 CUSTOMER APPROVED BY:

QC CHECKED BY:

缪凤11/9.11

APPRD BY:

冯少平

CHECKED BY:

孙云伍

DESIGNED BY:

陈盛茂

DRAWN BY:

贺娟

Sheet 1 of 3

A B C D

A		B		C		D	
PART DESCRIPTION :				TRANSFORMER			
Xmultiple Technologies				PART NO: XF-EE5YB33-X503		XF-EE5YB33-X503	
				REVISION:		REVISION:	
3.ELECTRICAL CHARACTERISTICS:							
ITEM	PARAMETER	SYMBOLS AND CONDITIONS	RESULT OF RANGE		UNIT	TEST INSTRUMENTS	
			YOURS	OURS			
1	INDUCTANCE	1-3 @100KHZ 0.1V	2.0 MIN		mH	#HP4284L	
2	DC RESISTANCE	1-3 8-7 @25°C	5.5 MAX 0.0007 MAX		OHM OHM	#502A	
3	HI-POT	1-8 @2000VDC 5mA 1SEC 60HZ 1.8-CORE @500VDC 5mA 1SEC 60HZ				#9301S	
4	T/S	8-7 20KHZ 1V NP:1-3=100TS	1±0.1		TS	#310	
5							
6							
ATTENTION: All the information shown on this specification is strictly confidential In case of distribution without authorization from the manufacturer, penalties should be made							
CUSTOMER APPROVED BY:							
QC CHECKED BY: 缪凤11/9.11		APPRD BY: 冯少平		CHECKED BY: 孙云伍		DESIGNED BY: 陈盛茂	
						DRAWN BY: 贺娟	
Sheet 2 of 3							
A		B		C		D	

A		B		C		D	
PART DESCRIPTION : TRANSFORMER							
Xmultiple Technologies				PART NO: XF-EE5YB33-X503		XF-EE5YB33-X503	
				REVISION:		REVISION:	
4.MATERIAL LIST							
NO.	ITEM	MATERIAL	TMP	SUPPLIER OF THE MATERIAL		UL NO	
1	BASE	PM9630	94V-0	SUMITOMO BAKELITE CO.,LTD.		E41429	
2	CORE	EE5 P4		ACME ELECTRONICS CORPORATION CO.,LTD. OR EQUIVALENT			
		EE5/5/2 DMR40		HENGDIAN GROUP DMEGC MAGNETICS CO;LTD.OR EQUIVANENT			
3	WIRE	DD	130°C	PACIFIC ELECTRIC WIRE & CABLE (SHENZHEN)CO;LTD		E84081	
4	EPOXY	3300HF	94V-0	DONG GUAN EATTO ELECTRONIC MATERIAL CO.,LTD.		E218090	
5	VARNISH	BC-359	180°C	JOHN C DOLPH CO.,LTD.		E317427	
6	TAPE	NO: #1350F-1	130°C	3M CO., LTD.		E17385	
		#1205	155°C				
7	CLIP 金圣	EE5.4-1B		JIN SHEN ELECTRONIC CO.,LTD.			
8							
ATTENTION: All the information shown on this specification is strictly confidential In case of distribution without authorization from the manufacturer, penalties should be made							
CUSTOMER APPROVED BY:							
QC CHECKED BY: 缪凤11/9.11		APPRD BY: 冯少平		CHECKED BY: 孙云伍		DESIGNED BY: 陈盛茂	
						DRAWN BY: 贺娟	
Sheet 3 of 3							
A		B		C		D	