

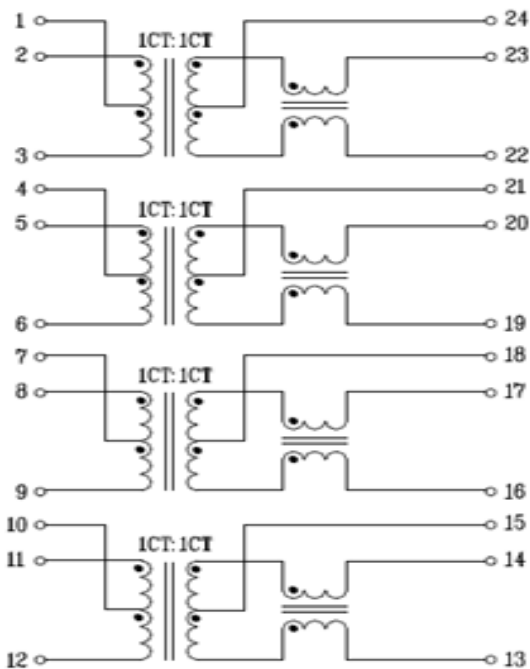
1000 BASE-TX DUAL PORT MAGNETICS MODULES MODEL NO.: XF-G242T002 (Bottom open)

FEATURE:

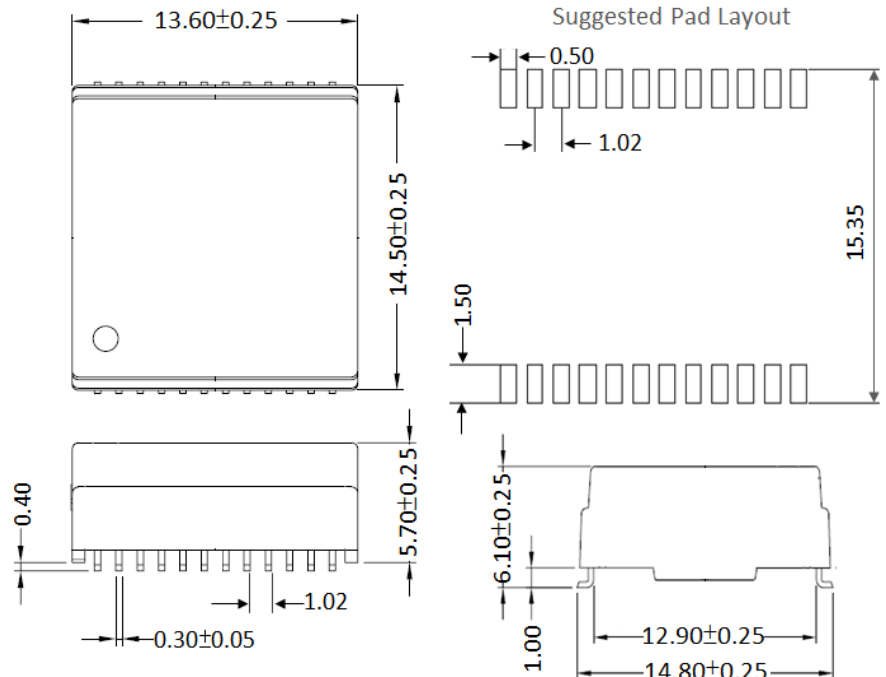
- RoHS Compliant
- RoHS peak solder rating 260°C/ 3~5Sec
- Not use the Controlled Substances defined in SS-00259
- Designed to meet IR requirement
- Operating temp. : -40°C to +85°C
- Specifications @ 25°C
- OCL: 350uH MIN. @100KHz 100mV 8mA VDC

Part Number	Insertion Loss (dB) MHz.MAX	Return loss (dB MIN) MHz.MIN				Differential to Common Mode Rejection (dB MIN)			Cross talk (dB MIN)			Isolation Voltage (Vrms min)
		1~40	50	60	100	30	60	100	30	60	100	
XF-G242T002	1MHz~100MHz	-18	-14	-12	-10	-43	-37	-33	-45	-40	-33	1500
	-1.1dB											

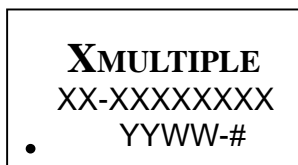
SCHEMATICS:



DIMENSION: mm TOLERANCE: ±0.25



Marking :



Remark:

XMULTIPLE=LOGO
 XX-XXXXXXXX=PART NUMBER
 YYWW DATE CODE , YY=YEAR · WW=WEEK
 #= Control Code

MODEL NO.: XF-G242T002

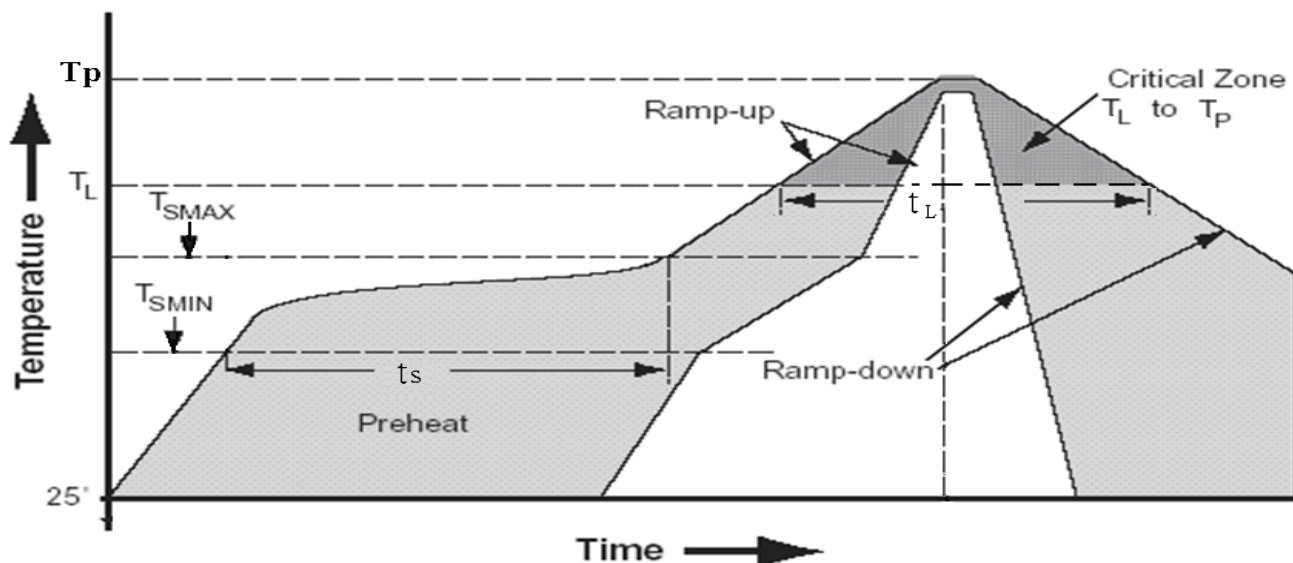
Solder Reflow profile for Lead-Free packages.

Package Peak Reflow Temperatures

Classification Reflow Profiles

Profile Feature	Lead-Free Assembly	
Average ramp-up rate(T_L to T_P)	3°C / Second Max.	
Preheat Temperature Min.(T_s min.) Temperature Max.(T_s max.) Time (min to max) (t_s)	150 °C 200 °C 60-180 sec	
T_s max. to T_L Ramp-up Rate	3°C / Second Max.	
Time maintained above Temperature (T_L) Time (t_L)	200 °C 60-90 sec	
Peak Temperature (T_p) Time within 5 °C of actual peak Temp.	260 +0 / -5 °C 3 to 5 Sec	250 +0 / -5 °C 20 to 40 Sec
Ramp-down	6°C / Second Max.	
Time 25 °C to Peak Temperature	8 minutes Max.	

Profile





Date:2016/03/10 REV:(A1)

MODEL NO.: XF-G242T002

Packing :

1 reel consists of 500pcs.
1 box consists of 6 reels