

LAN Transformer

Single Port 10/100Mbps



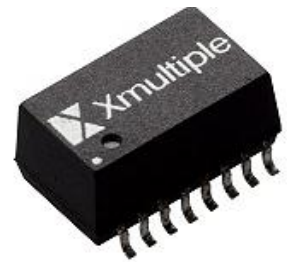
Connecting the Information Age
www.xmultiple.com

SINGLE PORT 10/100 BASE-T SMD LAN TRANSFORMERS MODULE (Small Package)

XF-HS9001 to XR-HS9006

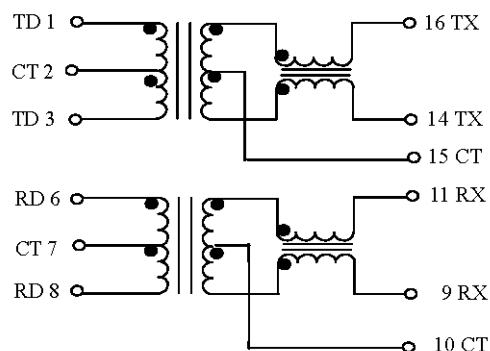
Page : 1/2

- Designed to meet IEEE802.3u requirement.
- Primary inductance 350uH min. with 8mA DC Bias
- Operating temperature range: 0 degrees C to +70 degrees C
- Reflow: Max. temperature is 250 degrees C, time 40 secs.



Specifications										
Part Number	Turn Ratio		Insertion Loss 0.1~100MHz (dB MAX)	Return Loss (MHz)			CMRR (dB)			Hi-Pot (Vrms MIN)
	Tx	Rx		30MHz	60MHz	80MHz	30MHz	50MHz	100MHz	
HS9001	1:1	1:1	1.1	-20db	-14dB	-11.5dB	-42db	-37dB	-33dB	1500
HS9002	1.414:1	1:1	1.1	-20db	-14dB	-11.5dB	-42db	-37dB	-33dB	1500
HS9003	1.25:1	1:1	1.1	-20db	-14dB	-11.5dB	-42db	-37dB	-33dB	1500
HS9004	2:1	1:1	1.1	-20db	-14dB	-11.5dB	-42db	-37dB	-33dB	1500
HS9005	1:1.414	1:1	1.1	-20db	-14dB	-11.5dB	-42db	-37dB	-33dB	1500
HS9006	1:1.25	1:1	1.1	-20db	-14dB	-11.5dB	-42db	-37dB	-33dB	1500

SCHEMATIC



LAN Transformer

Single Port 10/100Mbps

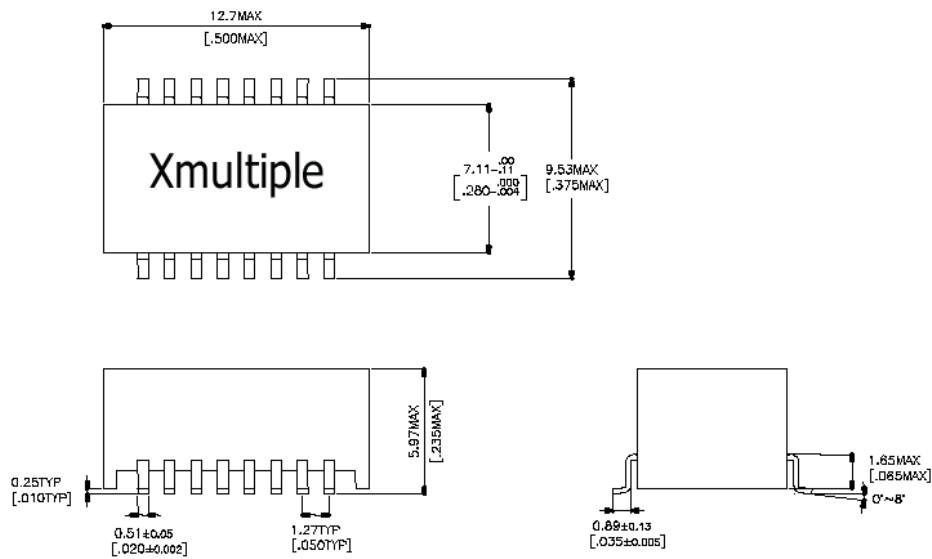


SINGLE PORT 10/100 BASE-T SMD LAN TRANSFORMERS MODULE (Small Package)

XF-HS9001 to XR-HS9006

Page : 2/2

MECHANICAL



Unless otherwise specified, all tolerances are as following

- XXXX.XX +/- 5 mm
- XXX.XX +/- 2 mm
- XX.XX +/- 1mm
- X.XX +/- 0.25 mm
- 0.XX +/- 0.05 mm