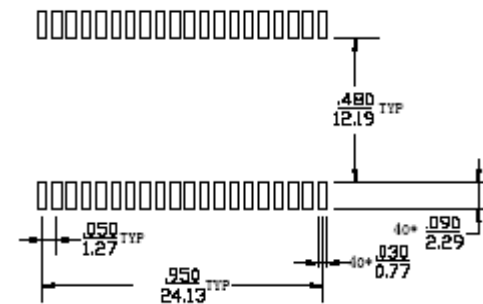
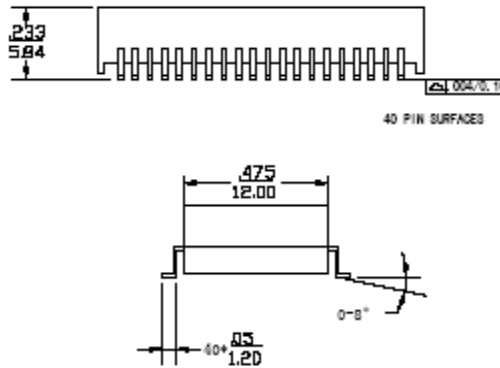
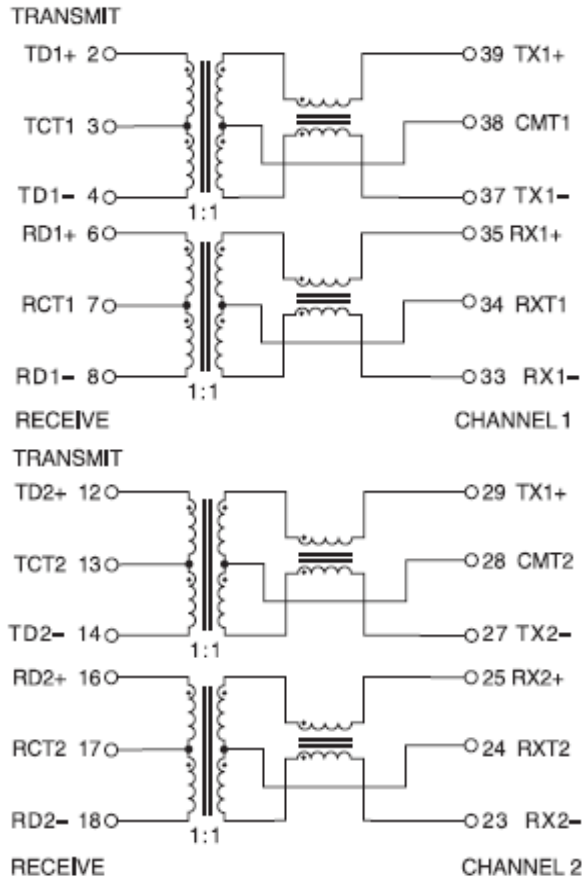


## Schematic:



## SUGGESTED PAD LAYOUT

Dimension Inches  
mm  
Unless otherwise specified, all tolerance are  $\pm 0.10$   
0.25

## ELECTRICAL SPECIFICATIONS @ 25°C unless otherwise noted:

INDUCTANCE:	350 $\mu$ H min @100KHz, 0.1Vrms 8mA DC .	
TURNS RATIO:	TX=1CT:1CT $\pm$ 5%, RX=1CT:1CT $\pm$ 5% @100KHz, 0.1Vrms.	
D. C. RESISTANCE (@20°C):	1.0ohms max	
Insertion Loss:	0.1-100MHz	-1.0dB typ
Return Loss:	2-30MHz	-16dB typ
	40MHz	-14.4dB typ
	50MHz	-13dB typ
	60-80MHz	-12dB min
Crosstalk:	1MHz	-50dB typ
	30MHz	-45dB typ
	60MHz	-40dB typ
	100MHz	-35dB typ
Diff. to Common Mode Rejection:	1-60MHz	-37dB min
	60-200MHz	-33dB min
Isolation Voltage:	1,500Vrms ,1mA 2 second	

TITLE: 10/100BASE-TX DUAL PORT TRANSFORMER MODULES			PART NO:  XF-LC1200NL
APPROVED BY YCW	CHEKDE BY DY	DRAWN BY FYP	UNIT :mm
Xmultiple Technologies, Inc. TEL:805-579-1100 FAX:805-579-7800			SHEET:  1 OF 1