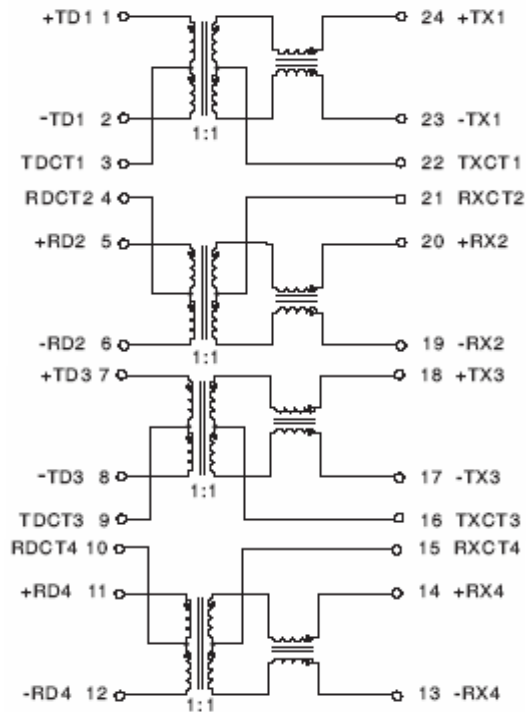


## Schematic:



## Electrical Specifications@25°C

- Inductance: 350uH min@100KHz 0.1V 8mA DC
- Turns Ratio: 1CT:1CT±5% @100KHz 0.1V
- Insertion Loss: 1-100MHz -1.2dB typ  
40MHz -16dB typ  
50MHz -14dB typ  
60-80MHz -12dB typ
- Return Loss: 2-30MHz -18dB typ  
40MHz -16dB typ  
50MHz -14dB typ  
60-80MHz -12dB typ
- Crosstalk: 1MHz -60dB typ  
30MHz -45dB typ  
60MHz -40dB typ  
100MHz -35dB typ
- DCMR: 1-60MHz -45dB min  
60-200MHz -35dB min
- Hi-Pot: 1500Vrms 0.5mA 1Sec
- Operating Temperature: 0~70°C

TITLE: 10/100BASE-TX DUAL PORT TRANSFORMER MODULES			PART NO:  XF-LC1270NL	
<b>Xmultiple</b>	APPROVED BY	CHEKDE BY	DRAWN BY	
	YCW	DY	FYP	
Xmultiple Technologies Tel: 805-579-1100 Fax: 805-579-7800			UNIT :mm SHEET:  1 OF 1	