

LAN Transformer

Single Port 10/100Mbps



Connecting the Information Age
www.xmultiple.com

SINGLE PORT 10/100 BASE-T SMD LAN TRANSFORMERS

XF-LC13A1CB

Page : 1/2

- Compliant with IEEE 802.3u and ANSI X3.263 standards.
- Symmetrical TX and RX channels for auto MDI/MDIX capability.
- Customer deigns available for specific application.
- RoHS compliant.



Electrical Specifications @ 25°C

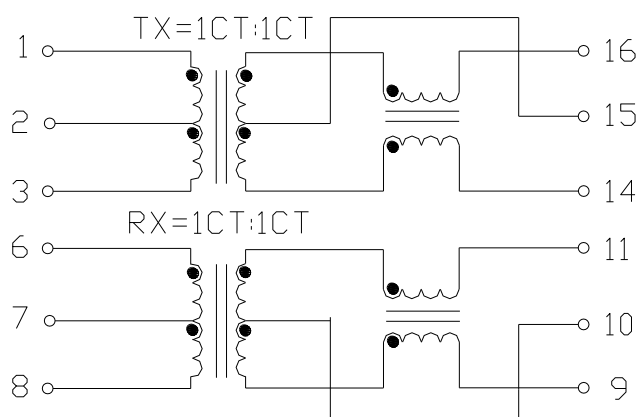
Part Number	Turns Ratio (±5%)		OCL(μH Min) @100KHz/0.1V with 8.0mA DC	Insertion Loss (dB Max)	HI-POT (Vrms)
	TX	RX		0.3-100MHz	
XF-LC13A1CB	1CT:1CT	1CT:1CT	350	-1.15	1500

Electrical Specifications @ 25°C

Part Number	Return Loss (dB Min)			Cross Talk (dB Min)		DCMR (dB Min)		
	0.3-30MHz	30-60MHz	60-80MHz	0.3-60MHz	60-100MHz	60MHz	100MHz	200MHz
XF-LC13A1CB	-16	-12	-10	-45	-35	-37	-28	-25

* Operating temperature range: -40°C to +85°C. Storage temperature range: -40C to +125°C.

SCHEMATIC



LAN Transformer

Single Port 10/100Mbps

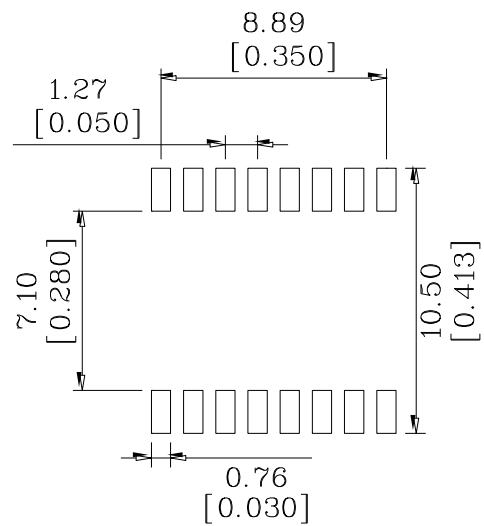
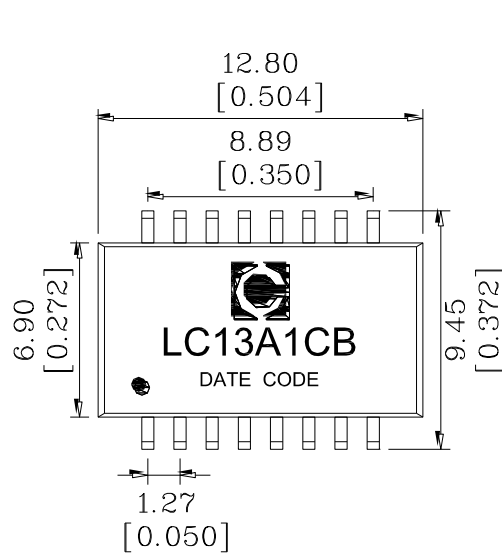


SINGLE PORT 10/100 BASE-T SMD LAN TRANSFORMERS

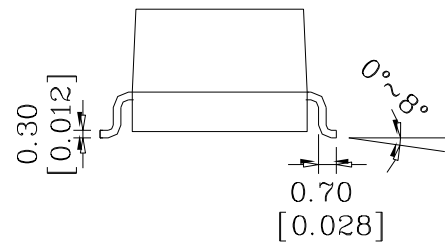
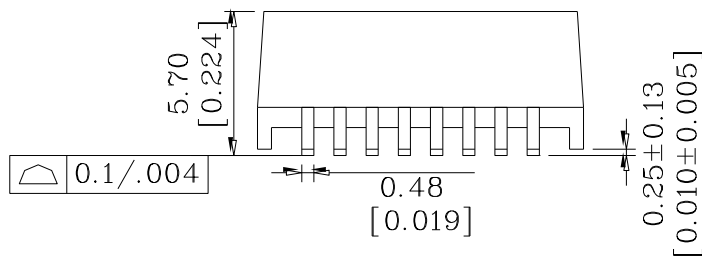
XF-LC13A1CB

Page : 2/2

MECHANICAL



SUGGESTED PAD LAYOUT



Units: mm[Inches].

Tolerance: ± 0.25 (0.010) unless specified otherwise.