

**PART DESCRIPTION:**

**TRANSFORMER**

**XMULTIPLE**

CUSTOMER'S PART NO:

XF-LC24Z321-X503

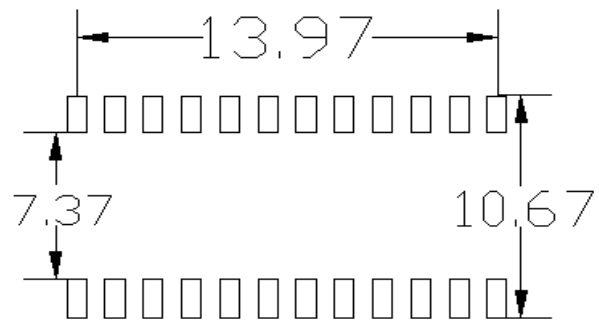
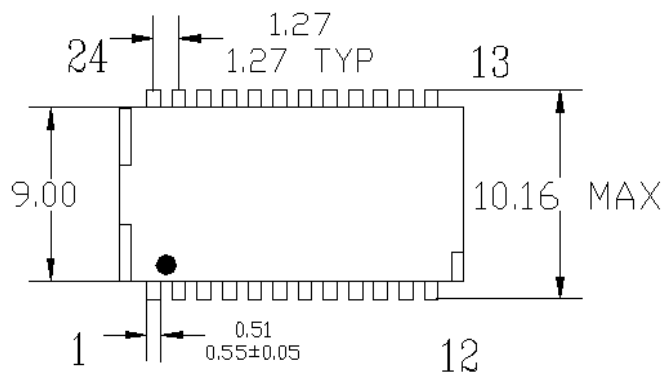
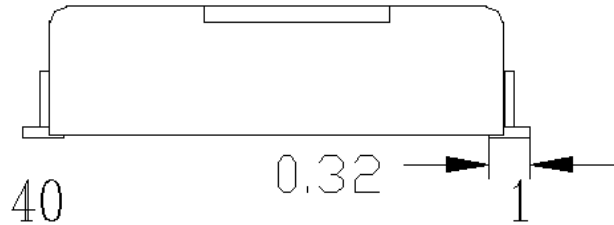
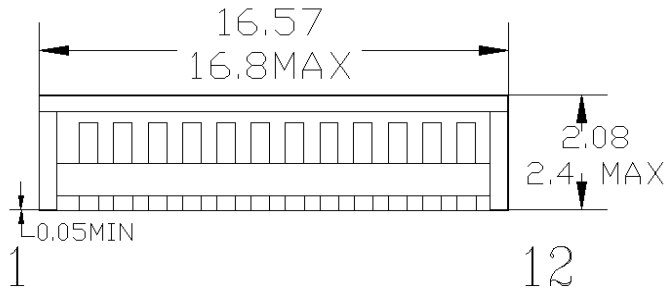
PART NO:

XF-LC24Z321-X503

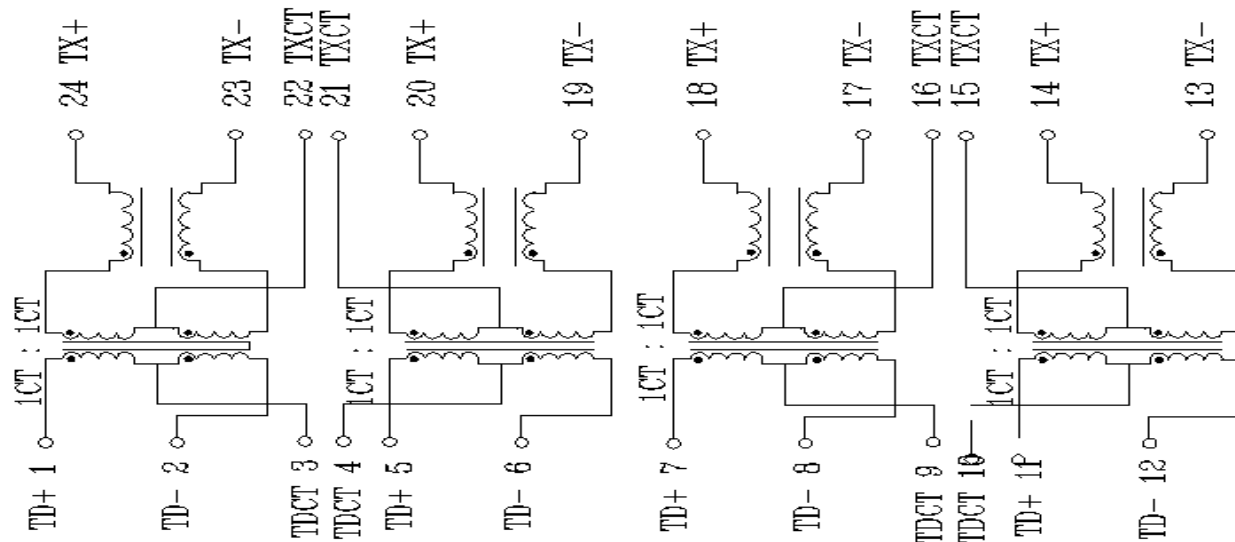
REVISION:

REVISION:

**1. DIMENSIONS: UNIT: (mm)**



**2. SCHEMATIC:**



“●”:START WINDING

CUSTOMER APPROVED BY:

QC CHECKED BY:	APPRD BY:	CHECKED BY:	DESIGNED BY:	DRAWN BY:
廖陆燕 4/2.12	黄志龙	陈妙屏	鲁懂	黄海肖

SHEET 1 OF 5

A	B	C	D
---	---	---	---

PART DESCRIPTION:		TRANSFORMER		
X MULTIPLE	CUSTOMER'S PART NO: XF-LC24Z321-X503		PART NO: XF-LC24Z321-X503	
	REVISION:		REVISION:	
項目 ITEM	規 格 SPECIFICATION	測 試 條 件 TEST CONDITION	儀 器 INSTRUMENT	
1	L: 1-2=5-6=7-8=11-12=14-13=18-17=20-19=24-23=350uH MIN	100KHZ 0.1V	#HP4284L	
2	T/R: 1-2=24-23=5-6=20-19=7-8=18-17=11-12=14-12=1:1±2%	100KHZ 0.1V	#310A	
3	DCR: 1-2=5-6=11-12=14-13=18-17=20-19=24-23=1/2 Winding 0.65 OHM MAX	25°C	#502A	
4	HI-POT: SEC~PRI	1500VAC 1mA 2SEC	#9301S	
5	INSERTION LOSS: -1.2dB MAX	0.1MHz TO 125MHz	#HP8712ET	
6	RETURN LOSS: -16dB MIN -10dB MIN	1MHz-40MHz 40.1MHz-100MHz	#HP8712ET	
7	CORSS TALK: -45dB MIN -35dB MIN	1MHz 10MHz-100MHz	#HP8712ET	
8	DCMR: -42dB typ -37dB typ -33dB typ -12.5dB typ	2MHz 50MHz 100MHz 200MHz	#HP8712ET	
CUSTOMER APPROVED BY:				
QC CHECKED BY:	APPRD BY:	CHECKED BY:	DESIGNED BY:	DRAWN BY:
廖陆燕 4/2.12	黄志龙	陈妙屏	鲁懂	黄海肖
				SHEET 2 OF 5
A	B	C	D	
E-90-017-3				





