

# LAN Transformer XMULTIPLE

Single Port 10/100Mbps

Connecting the Information Age  
www.xmultiple.com

## SINGLE PORT 10/100 BASE TRANSFORMER MODULE

P/N: XF-LCZ3A1CA

Page : 1/2

- Molding process.
- Compliant with IEEE 802.3u and ANSI X3.263 standards.
- Symmetrical TX and RX channels for auto MDI/MDIX capability.
- Customer deigns available for specific application.
- RoHS compliant.

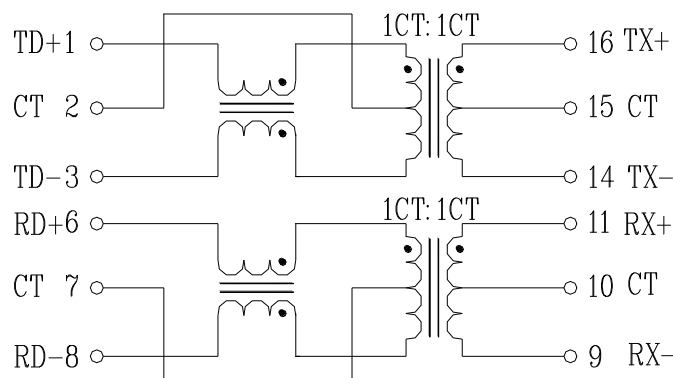


Electrical Specifications @ 25°C					
Part Number	Turns Ratio (±5%)		OCL(μH Min) @100KHz/0.1V with 8.0mA DC	Insertion Loss (dB Max) 0.3-100MHz	HI-POT (Vrms)
	TX	RX			
XF-LCZ3A1CA	1CT:1CT	1CT:1CT	350	-1.15	1500

Electrical Specifications @ 25°C								
Part Number	Return Loss (dB Min)			Cross Talk (dB Min)		DCMR (dB Min)		
	0.3-30MHz	30-60MHz	60-80MHz	0.3-60MHz	60-100MHz	60MHz	100MHz	200MHz
XF-LCZ3A1CA	-16	-12	-10	-45	-35	-37	-28	-25

\* Operating temperature range: 0°C to +70°C. Storage temperature range: -25°C to +125°C

### SCHEMATIC



# LAN Transformer XMULTIPLE

Connecting the Information Age  
www.xmultiple.com

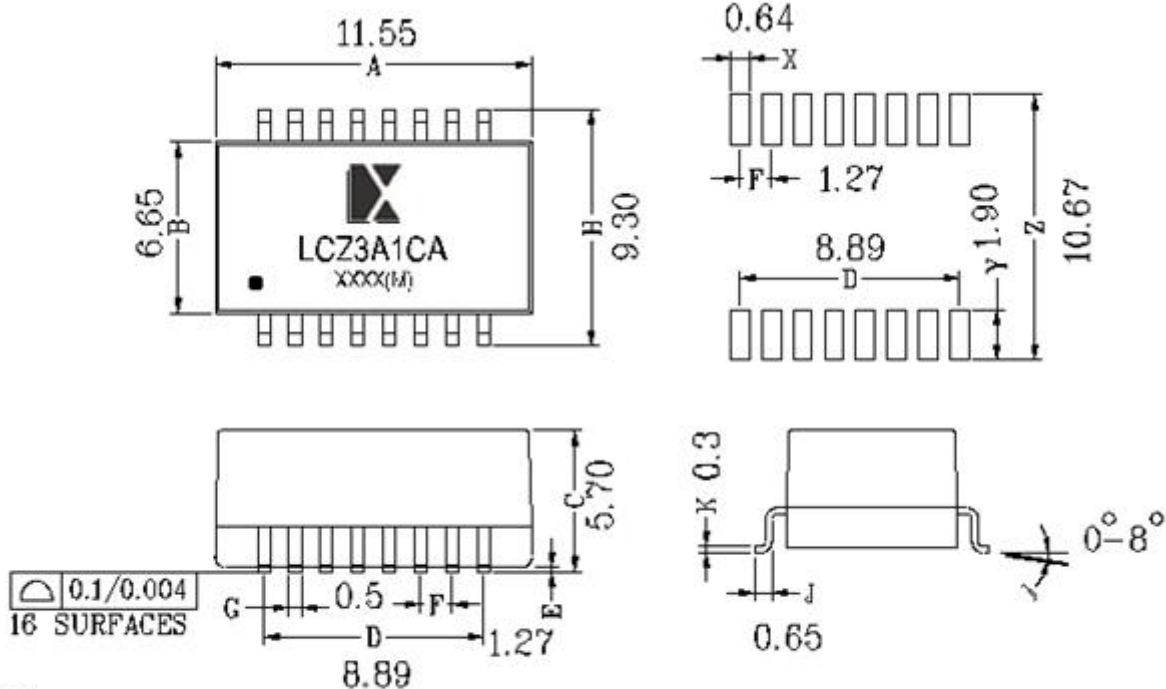
Single Port 10/100Mbps

## SINGLE PORT 10/100 BASE TRANSFORMER MODULE

P/N: XF-LCZ3A1CA

Page : 2/2

### MECHANICAL



Units: mm.  
Tolerance:  $\pm 0.25$  unless specified otherwise.

Units: mm.  
Tolerance:  $\pm 0.25$  unless specified otherwise.