

SINGLE PORT 1000 BASE –T SMD LAN MAGNETICS MODULES

XF-LCZ3N1ZA

Page : 1/2

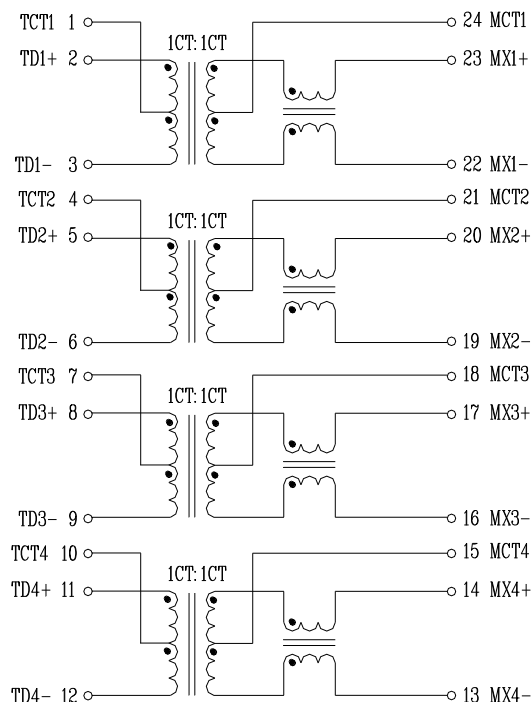
- Designed for long haul gigabit Ethernet 1000 BASE-T, full duplex applications.
- Supports 4 pairs of category 5 UTP cable.
- Cable interface for isolation and low common mode emissions.
- Compliant with IEEE 802.3ab standard for 1000 BASE-T.
- HI-POT: 1500V.
- RoHS compliant.

Electrical Specifications @ 25°C

| Part Number | Turns Ratio (±5%) TX/RX | Insertion Loss (dB Max) | Return Loss @Load 100Ω (dB Min) | | | | | Cross talk (dB Min) | | | DCMR (dB Min) | | |
|-------------|-------------------------|-------------------------|---------------------------------|----------|--------|--------|-----------|---------------------|--------|--------|---------------|--------|--------|
| | | | 1-100MHz | 1-30 MHz | 40 MHz | 50 MHz | 60-80 MHz | 100 MHz | 30 MHz | 60 MHz | 100 MHz | 30 MHz | 60 MHz |
| XF-LCZ3N1ZA | 1CT:1 | -1.0 | -18 | -14.4 | -13.1 | -12 | -10 | -45 | -40 | -35 | -43 | -37 | -33 |

* Operating temperature range: 0°C to +70°C. Storage temperature range: -25C to +125C degrees.

SCHEMATIC



XF Transformer

Single Port Gigabit

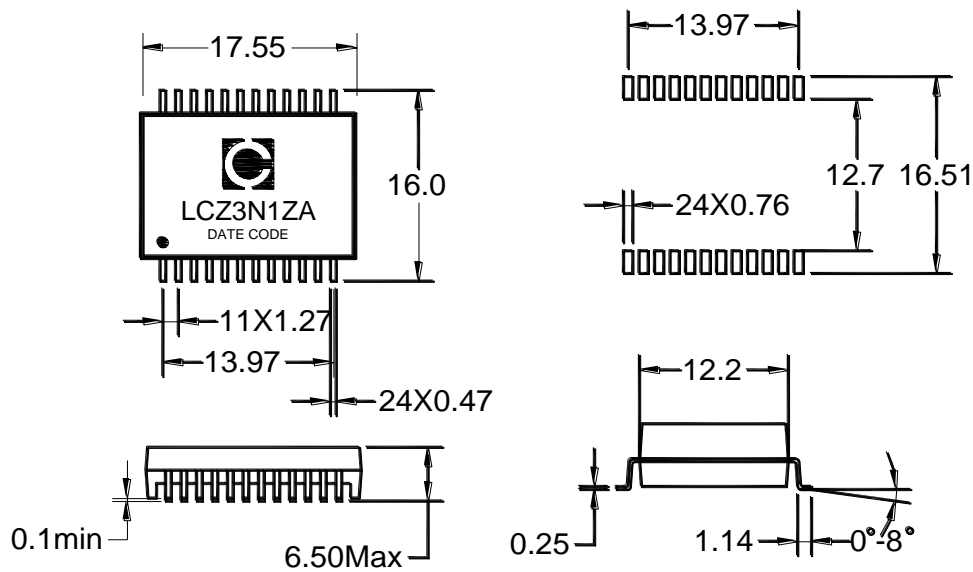


SINGLE PORT 1000 BASE -T SMD LAN MAGNETICS MODULES

XF-LCZ3N1ZA

Page : 2/2

MECHANICAL



Units: mm.

Tolerance: ± 0.25 unless specified otherwise.