

# XF Transformer

## LAN Magnetics

### SINGLE PORT 10/100 BASE-T SMD LAN TRANSFORMER

P/N: XF-LCZ3U1CT-MX1

#### Feature

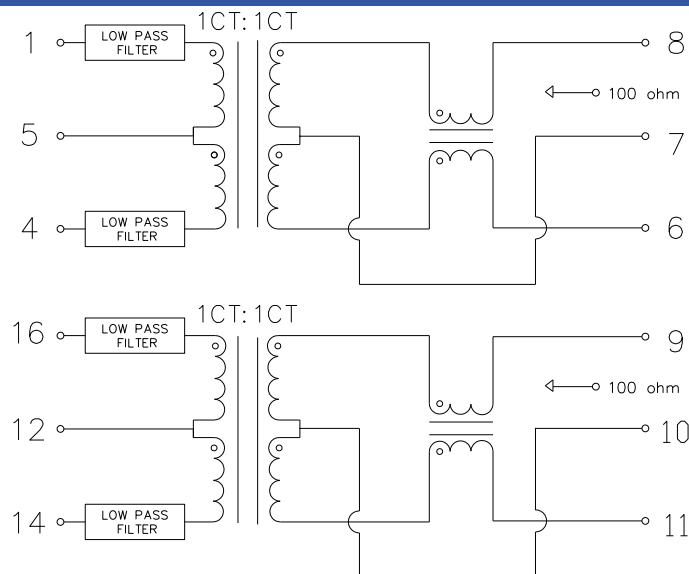
- Compliant with IEEE 802.3u and ANSI X3.263 standards.
- Symmetrical TX and RX channels for auto MDI/MDIX capability.
- Customer deigns available for specific application.
- RoHS compliant.

Electrical Specifications @ 25°C						
Part Number	Turns Ratio (±3%)		OCL(μH Min) @100KHz/0.1Vrms with 8.0mA DC	Insertion Loss (dB Max)	Cross talk (dB Min)	HI-POT (Vrms Min)
	TX	RX		1-10MHz	5-10MHz	
XF-LCZ3U1CT-MX1	1CT : 1CT	1CT : 1CT	350	-6.0	-35	1500

Electrical Specifications @ 25°C								
Part Number	Return Loss (dB Min)		Attenuation (dB Min)		DCMR (dB Min)			
	5-10MHz @100ohm	5-10MHz @98±13ohm	30MHz	40-100MHz	5-10MHz	50MHz	100MHz	200MHz
XF-LCZ3U1CT-MX1	-18	-15	-30	-35	-60	-55	-50	-45

\* Operating temperature range: 0°C to +70°C. Storage temperature range: -20°C to +125°C.

#### SCHEMATIC



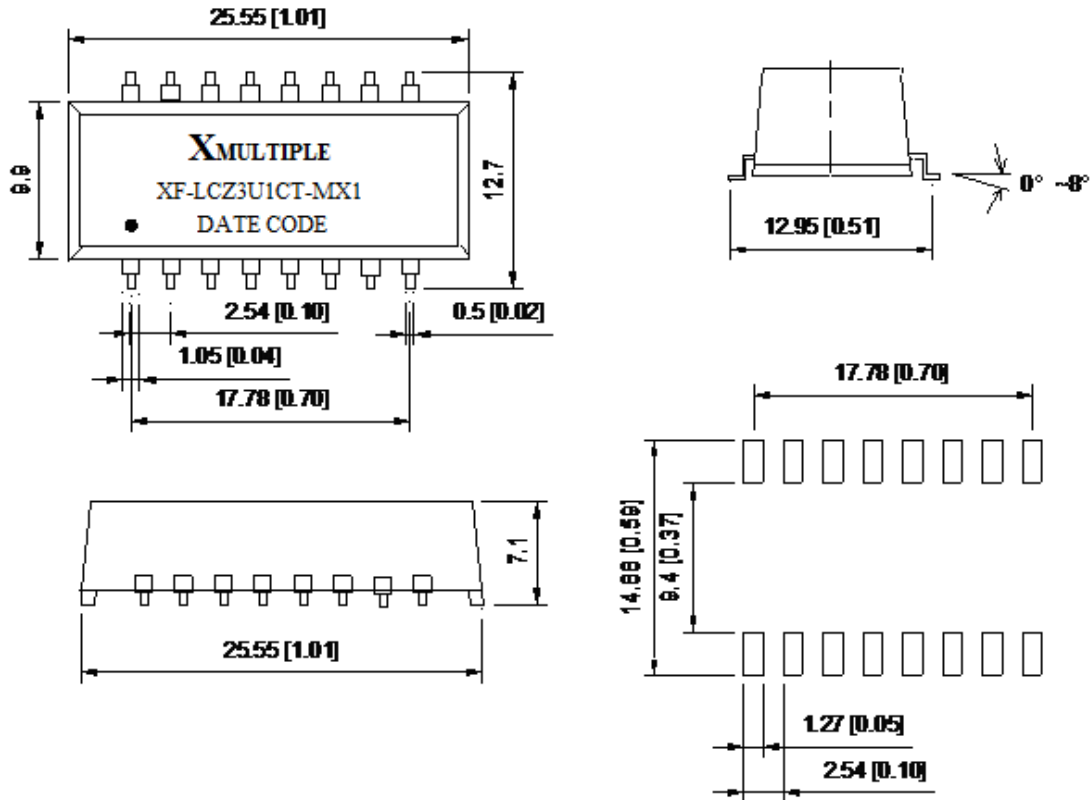
# XF Transformer

## LAN Magnetics

### SINGLE PORT 10/100 BASE-T SMD LAN TRANSFORMER

P/N: XF-LCZ3U1CT-MX1

#### MECHANICAL



Units: mm[Inches].

Tolerance:  $\pm 0.25$ (0.010) unless specified otherwise.