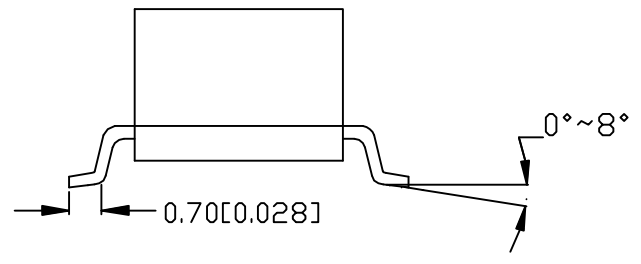
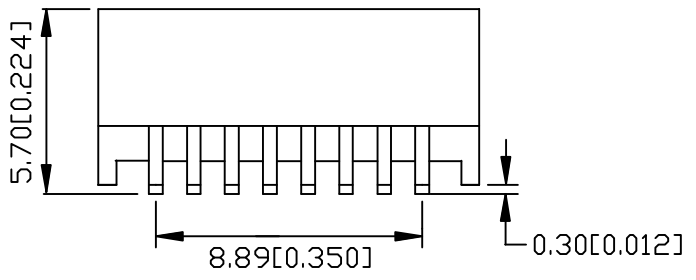
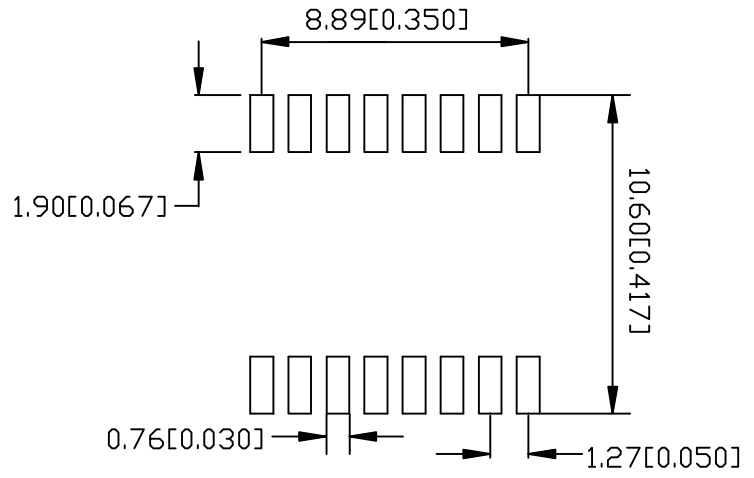
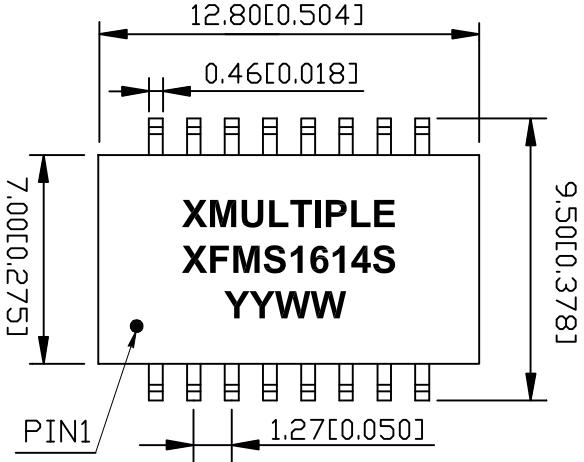


REV.	CHANGGE DESCRIPTION	DATE
01	New Issue	2012-06-26

**1. MECHANICAL DIMENSIONS :**



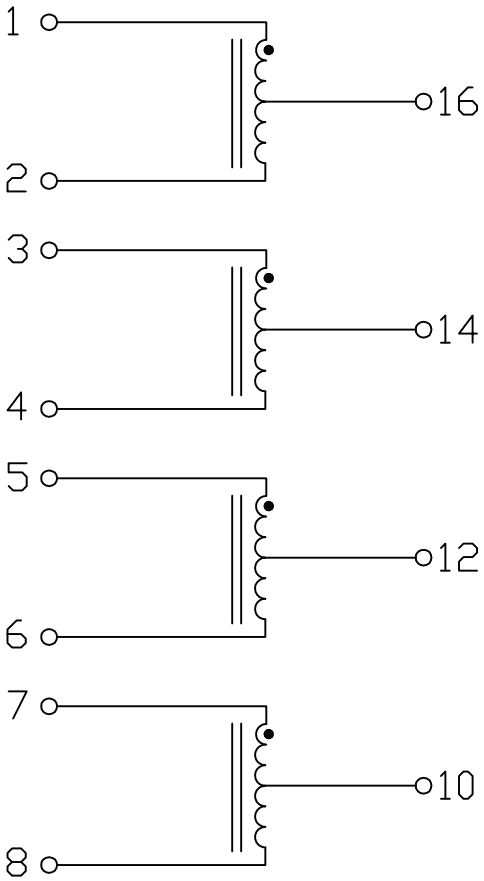
NOTE.DIMENSIONS : MM(INCHES)/ UNLESS OTHERWISE SPECIFIED ALL TOLERANCES ARE ±0.25(0.010).

**RoHS Compliant**

XMULTIPLE TECHNOLOGIES, INC. <small>THESE DRAWINGS AND SPECIFICATIONS ARE THE PROPERTY OF XMULTIPLE TECHNOLOGIES, INC. AND SHALL NOT BE REPRODUCED OR USED AS THE BASIS FOR THE MANUFACTURE OR SELL OF APPARATUSES OR DEVICES WITHOUT PERMISSION.</small>	<b>A4</b> SIZE	XMULTIPLE PART NO.: <b>XF-MS1614S</b>	VENDOR PART NO.:		Drawn: Terry
			High Speed Lan 100 Base-T/1000 Base Magnetics Module		Designed: Evan
<small>THIRD ANGLE PROJECTION</small>	DESCRIPTION:	UNIT mm[inch]	USED ON	Approved: Paul Li	
		SHEET 1 OF 2	REV. 01	Date: 2012-06-26	

REV.	CHANGGE DESCRIPTION	DATE
01	New Issue	2012-06-26

**2. SCHEMATIC:**



**3. ELECTRICAL CHARACTERISTICS :**

- TEST NOTES:(25°±5°C)
- LX:(100KHz,0.1V)  
PINS:(1,2)<3,4><5,6><7,8>=350uH MINIMUM
  - DCR; 100%  
PINS:(1,2)<3,4><5,6><7,8>=0.9Ω MAXIMUM
  - OPERATING TEMPERATURE: 0°C TO +70°C

RoHS Compliant

XMULTIPLE TECHNOLOGIES, INC.	A4 SIZE	XMULTIPLE PART NO.: XF-MS1614S	VENDOR PART NO.:		Drawn:	Terry	
					Designed:	Evan	
THESE DRAWINGS AND SPECIFICATIONS ARE THE PROPERTY OF XMULTIPLE TECHNOLOGIES, INC. AND SHALL NOT BE REPRODUCED OR USED AS THE BASIS FOR THE MANUFACTURE OR SELL OF APPARATUSES OR DEVICES WITHOUT PERMISSION.	THIRD ANGLE PROJECTION	DESCRIPTION: High Speed Lan 100 Base-T/1000 Base Magnetics Module	UNIT	mm[inch]	USED ON	Approved:	Paul Li
			SHEET	2 OF 2	REV.	01	Date: