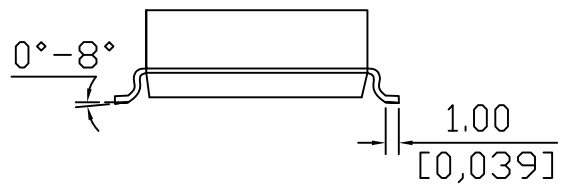
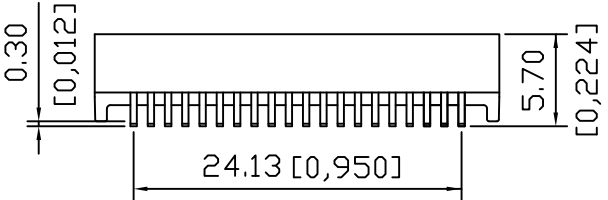
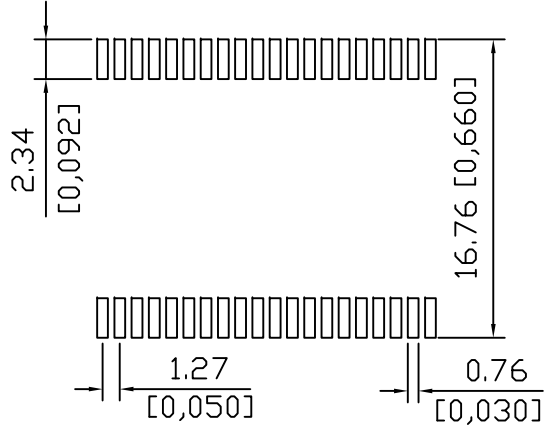
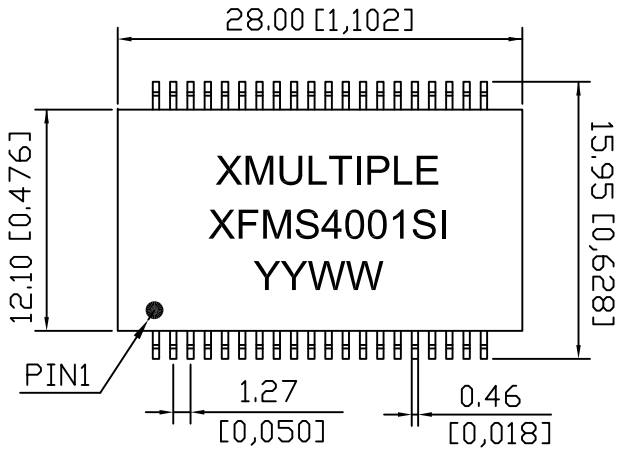


REV.	CHANGGE DESCRIPTION	DATE
01	New Issue	2012-1-30

1. MECHANICAL DIMENSIONS :



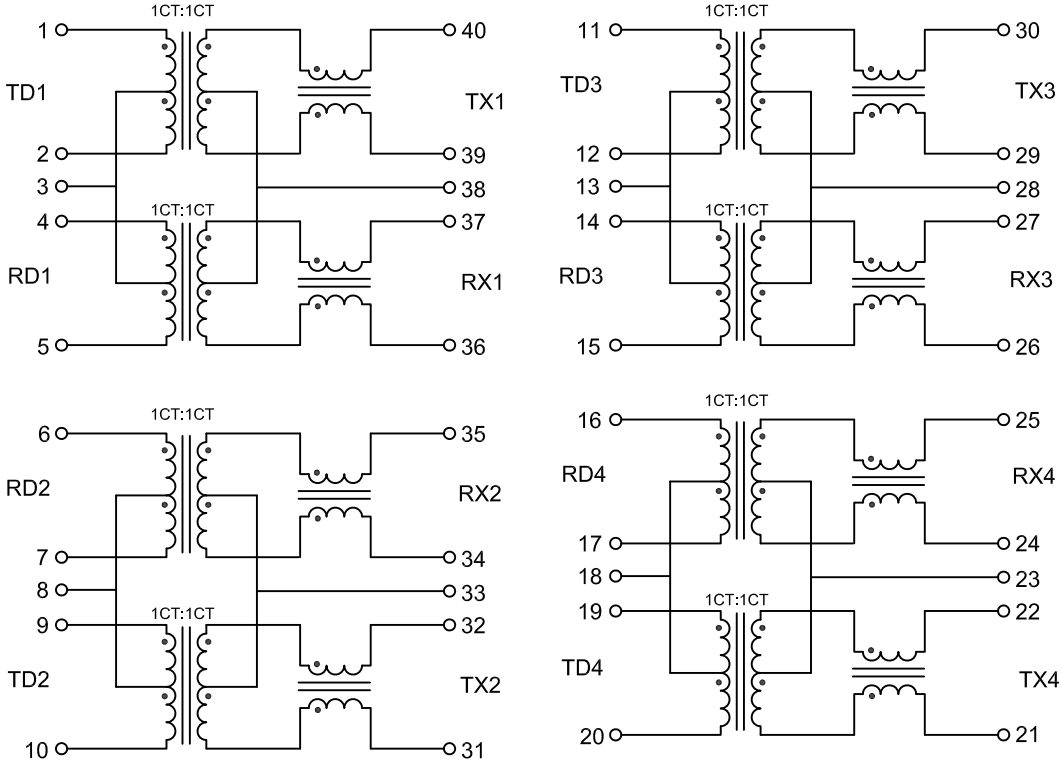
RoHS Compliant

NOTE. DIMENSIONS:MM(INCHES)/UNLESS OTHERWISE SPECIFIED ALL TOLERANCES ARE ±0.25(0.010).

XMULTIPLE TECHNOLOGIES, INC.	A4 SIZE	XMULTIPLE PART NO.: XF-MS4001SI	VENDOR PART NO.:				Drawn:	Rita
							Designed:	Evan
THESE DRAWINGS AND SPECIFICATIONS ARE THE PROPERTY OF XMULTIPLE TECHNOLOGIES, INC. AND SHALL NOT BE REPRODUCED OR USED AS THE BASIS FOR THE MANUFACTURE OR SELL OF APPARATUS OR DEVICES WITHOUT PERMISSION.	THIRD ANGLE PROJECTION	DESCRIPTION: 10/100 BASE-T TRANSFORMER MODULES	UNIT	mm[Inch]	USED ON	Approved:	Paul Li	
			SHEET	1	OF			2

REV.	CHANGGE DESCRIPTION	DATE
01	New Issue	2012-1-30

2. SCHEMATIC:



RoHS Compliant

3. ELECTRICAL CHARACTERISTICS :

TEST NOTES:(25°±5°C)

- TR:(100KHz,0.1V) ; 100%
 PINS:(1,2)<(40,39)=1±3%;(4,5)<(37,36)=1±3%
 PINS:(6,7)<(35,34)=1±3%;(9,10)<(32,31)=1±3%
 PINS:(11,12)<(30,29)=1±3%;(14,15)<(27,26)=1±3%
 PINS:(16,17)<(25,24)=1±3%;(19,20)<(22,21)=1±3%
- LX:(100KHz, 0.1V,8mA, DC Bias); 100%
 PINS:(1,2),(4,5),(6,7),(9,10),(11,12),(14,15),(16,17),(19,20)=350uH MINIMUM
- DCR ; 100%
 PINS:(40,39)<(37,36)<(35,34)<(32,31)<(30,29)<(27,26)<(25,24)<(22,21)=1.4Ω MAXIMUM
- HIPOT ; 100%
 PINS:(1,3,2)TD<(40,38,39),(4,3,5)TD<(37,38,36)=1500VAC FOR 60 SECONDS
 PINS:(6,8,7)TD<(35,33,34),(9,8,10)TD<(32,33,31)=1500VAC FOR 60 SECONDS
 PINS:(11,13,12)TD<(30,28,29),(14,13,15)TD<(27,28,26)=1500VAC FOR 60 SECONDS
 PINS:(16,18,17)TD<(25,23,24),(19,18,20)TD<(22,23,21)=1500VAC FOR 60 SECONDS
- INSERTION LOSS:
 -1.1dB MAXIMUM AT 0.3MHz TO 100MHz;
- RETURN LOSS:
 -16dB MINIMUM AT 0.3MHz TO 30MHz;
 -16dB MINIMUM AT 30MHz TO 40MHz;
 -14.1dB MINIMUM AT 40MHz TO 50MHz;
 -12.5dB MINIMUM AT 50MHz TO 60MHz;
 -10dB MINIMUM AT 60MHz TO 80MHz;
- CROSS TALK
 -35.8dB MINIMUM AT 1MHz TO 30MHz;
 -30.8dB MINIMUM AT 30MHz TO 60MHz;
 -28dB MINIMUM AT 60MHz TO 100MHz;
- COMMON MODE REJECTION:
 -40dB MINIMUM AT 0.3MHz TO 30MHz;
 -35dB MINIMUM AT 30MHz TO 60MHz;
 -30dB MINIMUM AT 80MHz TO 100MHz;
- OPERATING TEMPERATURE -40°C to +85°C

XMULTIPLE TECHNOLOGIES, INC.	A4 SIZE	XMULTIPLE PART NO.: XF-MS4001SI	VENDOR PART NO.:				Drawn:	Rita
							Designed:	Evan
THESE DRAWINGS AND SPECIFICATIONS ARE THE PROPERTY OF XMULTIPLE TECHNOLOGIES, INC. AND SHALL NOT BE REPRODUCED OR USED AS THE BASIS FOR THE MANUFACTURE OR SELL OF APPARATUS OR DEVICES WITHOUT PERMISSION.	THIRD ANGLE PROJECTION	DESCRIPTION: 10/100 BASE-T TRANSFORMER MODULES	UNIT	mm[inch]	USED ON	Approved:	Paul Li	
			SHEET	2	OF	2	REV.	01