



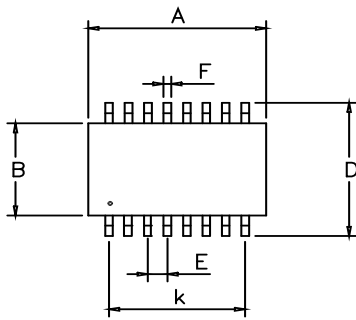
Connecting the Information Age

www.xmultiple.com

SPECIFICATION FOR APPROVAL

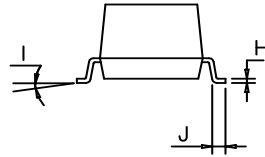
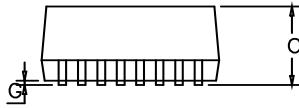
Customer:	Customer P/N: TG110-S050N2-FFL	Date: 2010-05-18
Quantity: 0PCS	P/N:	REV: A0

1. MECHANICAL DIMENSIONS:



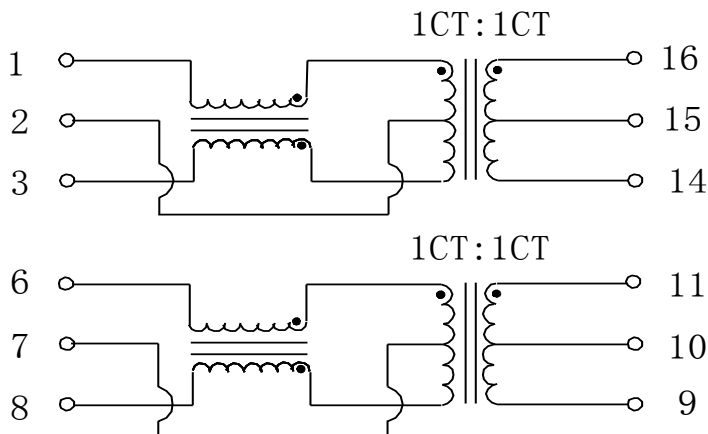
UNIT: mm/inch

- A = 12.70 / 0.50 Max
- B = 7.15 / 0.282 Max
- C = 6.20 / 0.245 Max
- D = 9.30 / 0.366
- E = 1.27 / 0.050 Typ
- F = 0.46 / 0.018 Typ
- G = 0.25 / 0.010 Typ
- H = 0.25 / 0.010 Typ
- I = $0 \sim 8^{\circ}$
- J = 0.90 / 0.035 Typ
- K = 8.89 / 0.350 Typ



Unless otherwise specified, all tolerances are mm(inch) $\pm 0.25(0.010)$

2. SCHEMATICS:





Connecting the Information Age

www.xmultiple.com

SPECIFICATION FOR APPROVAL

Customer:	Customer P/N: TG110-S050N2-FFL	Date: 2010-05-18
Quantity: 0PCS	P/N:	REV: A0

3. ELECTRICAL SPECIFICATIONS @ 25°C:

3-1. Inductance OCL:

@350uH Min 100KHz 0.1V 8mA

3-2. Leakage Inductance:

@0.4 uH Max 100KHz 0.1V

3-3. Interwinding Capacitance:

@15PF TYP 100KHz 0.1V

3-4. D.C.R:

@1.5 Ω Max

3-5. Turn Ratio:

@ (16-14):(1-3)=1CT:1CT $\pm 3\%$

@ (11-9):(6-8)=1CT:1CT $\pm 3\%$

3-6. Polarity:

@16-1,11-6 In-Phase

3-7. Isolation HI-POT:

@1500VAC 1mA 1S



Connecting the Information Age

www.xmultiple.com

SPECIFICATION FOR APPROVAL

Customer:

Customer P/N: **TG110-S050N2-FFL**

Date: **2010-05-18**

Quantity: **0PCS**

P/N:

REV: **A0**

Operating Temp Range: 0°C TO 70°C.