

SINGLE PORT 10/100 BASE-T SMD LAN TRANSFORMERS

XF-TG110-S050PH2

Page : 1/2

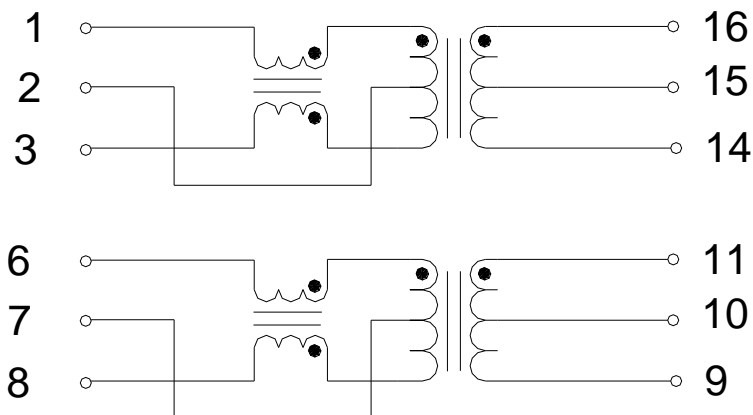
- Compliant with IEEE 802.3u and ANSI X3.263 standards.
- Customer deigns available for specific application.
- RoHS compliant.

Electrical Specifications @ 25°C					
Part Number	Turns Ratio (±5%)		OCL(uH Min) @100KHz/0.1V with 8.0mA DC	Insertion Loss (dB Max) 0.3-100MHz	HI-POT (Vrms)
	TX	RX			
XF-TG110-S050PH2	1CT:1CT	1CT:1CT	350	-1.15	1500

Electrical Specifications @ 25°C								
Part Number	Return Loss (dB Min)			Cross Talk (dB Min)		DCMR (dB Min)		
	0.3-30MHz	50MHz	60-80MHz	0.3-60MHz	60-100MHz	60MHz	100MHz	200MHz
XF-TG110-S050PH2	-18	-13.6	-10	-45	-30	-37	-28	-25

* Operating temperature range: 0°C to +70°C. Storage temperature range: -25°C to +125°C.

SCHEMATIC

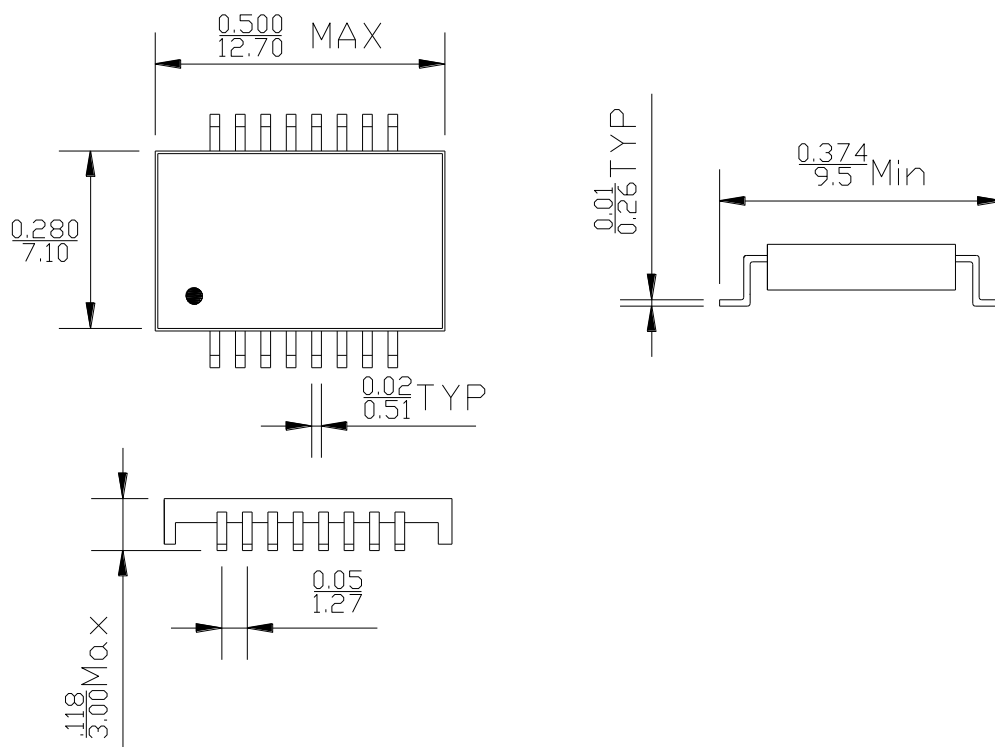


SINGLE PORT 10/100 BASE-T SMD LAN TRANSFORMERS

XF-TG110-S050PH2

Page : 2/2

MECHANICAL



Tolerance: ± 0.25 (0.010) unless specified otherwise.



SPECIFICATION FOR APPROVAL

Customer:	Customer P/N: TG110-S050PH2	Date: 3/8/2011							
Quantity:	Maglantic P/N: FN1657S								
(1-3):(16-14)=1CT:1CT±3%	OK	OK	OK	OK	OK				
(6-8):(11-9)=1CT:1CT±3%	OK	OK	OK	OK	OK				
Insertion Loss:									
-1.1dB Max(0.1-100MHz)									
(Test by HP8712ET)									
TX:									
1MHz	-0.39	-0.36	-0.35	-0.33	-0.29				
30MHz	-0.37	-0.35	-0.39	-0.36	-0.35				
60MHz	-0.46	-0.47	-0.40	-0.45	-0.48				
80MHz	-0.45	-0.46	-0.49	-0.52	-0.49				
100MHz	-0.48	-0.45	-0.46	-0.49	-0.42				
RX:									
1MHz	-0.32	-0.53	-0.51	-0.35	-0.3				
30MHz	-0.35	-0.36	-0.38	-0.32	-0.39				
60MHz	-0.53	-0.51	-0.48	-0.46	-0.47				
80MHz	-0.51	-0.52	-0.53	-0.53	-0.51				
100MHz	-0.53	-0.52	-0.5	-0.51	-0.53				
Return Loss:									
-18dB Min('1-30MHz)									
-15.5dB Min(40MHz)									
-13.6dB Min(50MHz)									
-10dB Min(60-80MHz)									
(Test by HP8712ET)									



SPECIFICATION FOR APPROVAL

Customer:	Customer P/N: TG110-S050PH2	Date: 3/8/2011
Quantity:	Maglantic P/N: FN1657S	
TX:		
1-30MHz	-22.2 -24.3 -23.5 -22.4 -22.5	
40MHz	-18.9 -16.5 -17.2 -15.9 -16.3	
50MHz	-18.9 -16.5 -17.2 -15.9 -16.3	
60-80MHz	-14.5 -14.8 -15.2 -16.1 -15.8	
RX:		
1-30MHz	-22.8 -22.1 -23.7 -21.5 -23.9	
40MHz	-17.3 -15.9 -16.2 -16.5 -17.1	
50MHz	-17.3 -15.9 -16.2 -16.5 -17.1	
60-80MHz	-12.9 -14.1 -14.5 -13.9 -12.9	
CMRR:		
-30dB Typ(0.1~100MHz)		
(Test by HP8712ET)		
TX:		
0.1~100MHz	-40.4 -40.5 -40.4 -40.3 -40.3	
RX:		
0.1~100MHz	-40.2 -40.1 -40.2 -40.1 -40.1	
Cross Talk:		
(Test by HP8712ET)		
-38dB Min(0.1-100MHz)		
TX1 TO RX1		
0.1-100MHz	-52.9 -51.4 -51.2 -51.8 -52.4	
RX1 TO TX2		
0.1-100MHz	-58.6 -51.1 -51.7 -52.2 -50.9	
TX2 TO RX2		



SPECIFICATION FOR APPROVAL

Customer:	Customer P/N: TG110-S050PH2	Date: 3/8/2011							
Quantity:	Maglantic P/N: FN1657S								
0.1-100MHz	-58.3	-59.8	-52.5	-56.5	-56.2				
HI-POT:									
AT:1500Vrms									
(Test by CH9053)									
1-3 TO 16-14	<i>OK</i>	<i>OK</i>	<i>OK</i>	<i>OK</i>	<i>OK</i>				
6-8 TO 11-9	<i>OK</i>	<i>OK</i>	<i>OK</i>	<i>OK</i>	<i>OK</i>				
Reported: 黄林	Checked:				Approved:				