

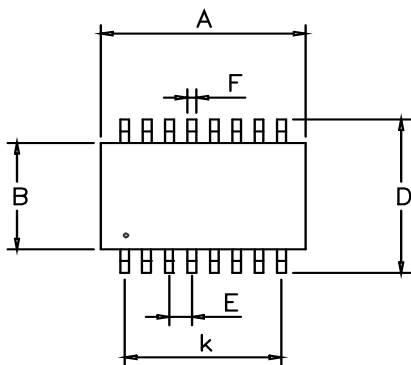


Connecting the Information Age
www.xmultiple.com

SPECIFICATION FOR APPROVAL

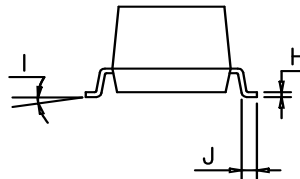
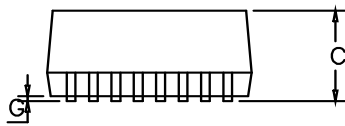
Customer:	Customer P/N: TG75-1406NRL-FFL	Date: 2010-05-18
Quantity: 0PCS	P/N:	REV: A0

1. MECHANICAL DIMENSIONS:



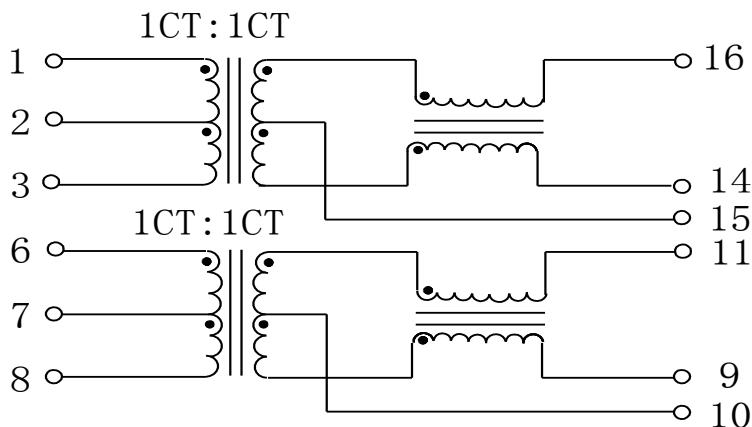
UNIT: mm/inch

A	=	12.70 / 0.50 Max
B	=	7.15 / 0.282 Max
C	=	6.20 / 0.245 Max
D	=	9.30 / 0.366
E	=	1.27 / 0.050 Typ
F	=	0.46 / 0.018 Typ
G	=	0.25 / 0.010 Typ
H	=	0.25 / 0.010 Typ
I	=	0.25 / 0.010 Typ
J	=	0.90 / 0.035 Typ
K	=	8.89 / 0.350 Typ



Unless otherwise specified, all tolerances are mm(inch) $\pm 0.25(0.010)$

2. SCHEMATICS:





SPECIFICATION FOR APPROVAL

Customer:	Customer P/N: TG75-1406NRL-FFL	Date: 2010-05-18
Quantity: 0PCS	P/N:	REV: A0

3. ELECTRICAL SPECIFICATIONS @ 25°C:

3-1. Inductance OCL:

@(1-3)=140uH Typ 100KHz 0.1V

@(6-8)=25uH Typ 100KHz 0.1V

3-2. Leakage Inductance:

@0.4uH Max 100KHz 0.1V

3-3. Interwinding Capacitance:

@15PF Max 100KHz 0.1V

3-4. D.C.R:

@0.3 Ω Max

3-5. Turn Ratio:

@ (1-3):(16-14)=1CT:1CT ±3%

@ (6-8):(11-9)=1CT:2CT ±3%

3-6. Polarity:

@1-16,6-11 In-Phase

3-7. Isolation HI-POT:



SPECIFICATION FOR APPROVAL

Customer:	Customer P/N: TG75-1406NRL-FFL	Date: 2010-05-18
Quantity: 0PCS	P/N:	REV: A0

@2000VAC 1mA 1S

Operating Temp Range: 0°C TO 70°C.