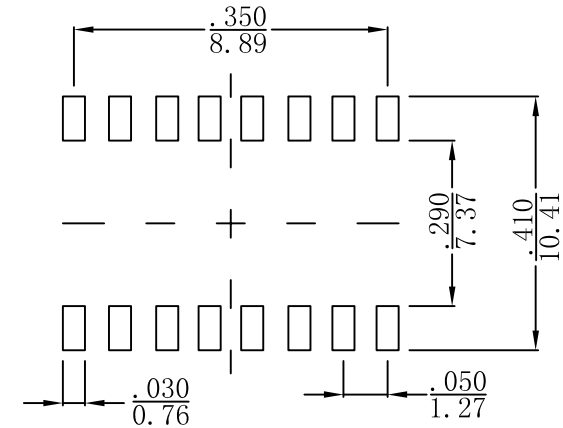
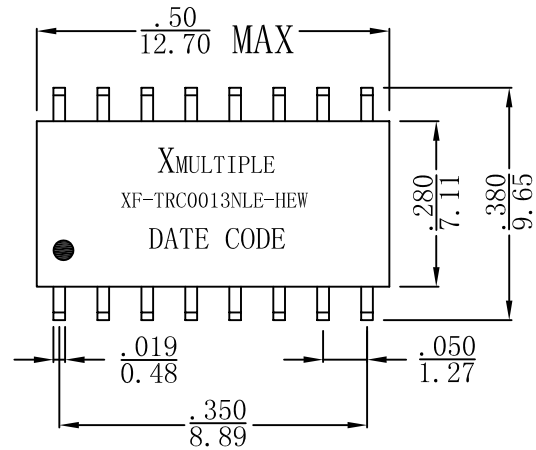
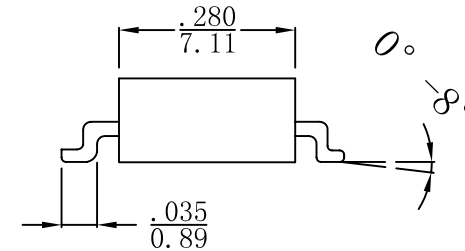
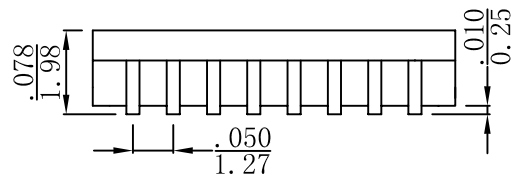


# Mechanical:

REV.	ECN NO.	DESCRIPTION	DATE	APPD
A	REL		2007/08/11	



SUGGESTED PAD LAYOUT



## NOTES:

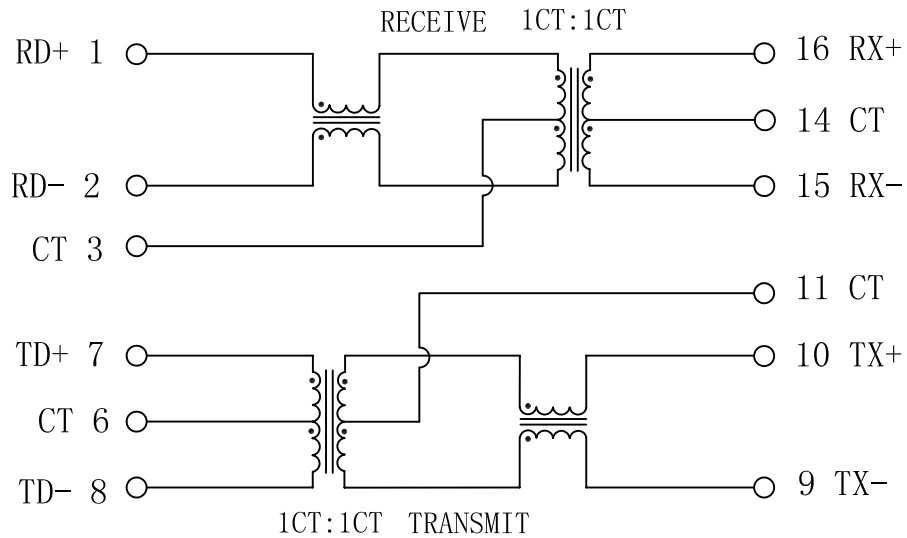
1. Low profile package
2. Isolation voltage: 1500Vrms
3. For RoHS part add suffix NLE
4. RoHS "NLE" peak solder rating 235°C.



X:X	±0.20	APPD:	<b>XMULTIPLE</b>	
X:XX	±0.10	CHKD:		
X:XXX	±0.05	DR: C. H. Y	Title: 10/100 Base PC Card Lan Magnetic Modules	
ANGLES	±1°	UNIT: Inches/mm	PART NO.: XF-TRC0013NLE-HEW	
	SCALE: 2/1	SHEET: 1/2	REV: A	DWG NO.: TRC07081106

# Schematic:

REV.	ECN NO.	DESCRIPTION	DATE	APPD
A	REL		2007/08/11	



## Electrical Specification @25°C

1. TURNS RATIO ( $\pm 2\%$ ):  
TX=1CT:1CT      RX=1CT:1CT
2. HIPOT:  
1500VAC FOR 60 SECONDS
3. INSERTION LOSS:  
-0.9dB MAX @ 100KHz TO 100MHz
4. RETURN LOSS:  
-16dB MIN @ 30MHz  
-12dB MIN @ 60MHz  
-11dB MIN @ 80MHz
5. CROSS TALK:  
-50dB MIN @ 30MHz  
-45dB MIN @ 62MHz  
-37dB MIN @ 100MHz
6. DCMR:  
-35dB MIN @ 30MHz  
-33dB MIN @ 50MHz  
-20dB MIN @ 100MHz
7. OPERATING TEMPERATURE: 0~70°C.



X:X	$\pm 0.20$	APPD:	<i>X</i> MULTIPLE		
X:XX	$\pm 0.10$	CHKD:			
X:XXX	$\pm 0.05$	DR: C. H. Y			
ANGLES $\pm 1^\circ$			UNIT: Inches/mm	PART NO. : XF-TRC0013NLE-HEW	
		SCALE: 2/1	SHEET: 2/2	REV: A	DWG NO. : TRC07081106