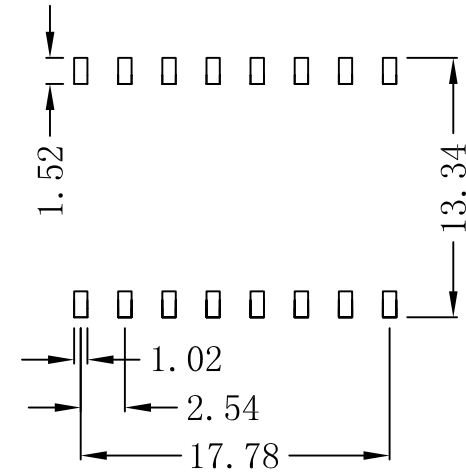
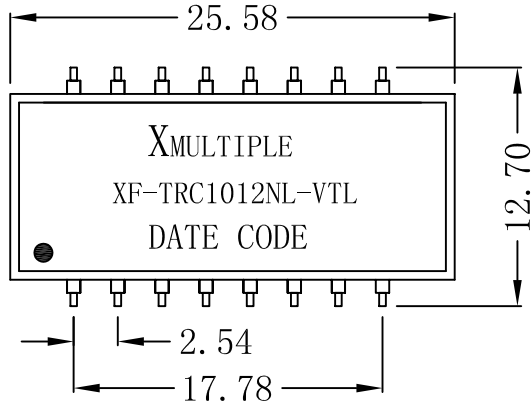
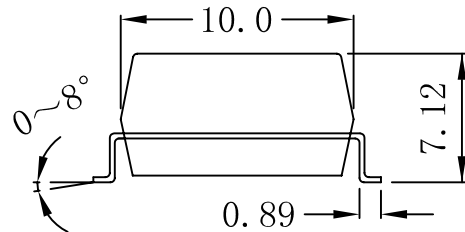
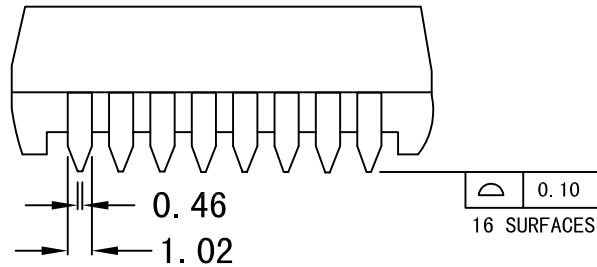


# Mechanical :

REV.	ECN NO.	DESCRIPTION	DATE	APPD
A	REL		2010/06/02	



SUGGESTED PAD LAYOUT



## NOTES:

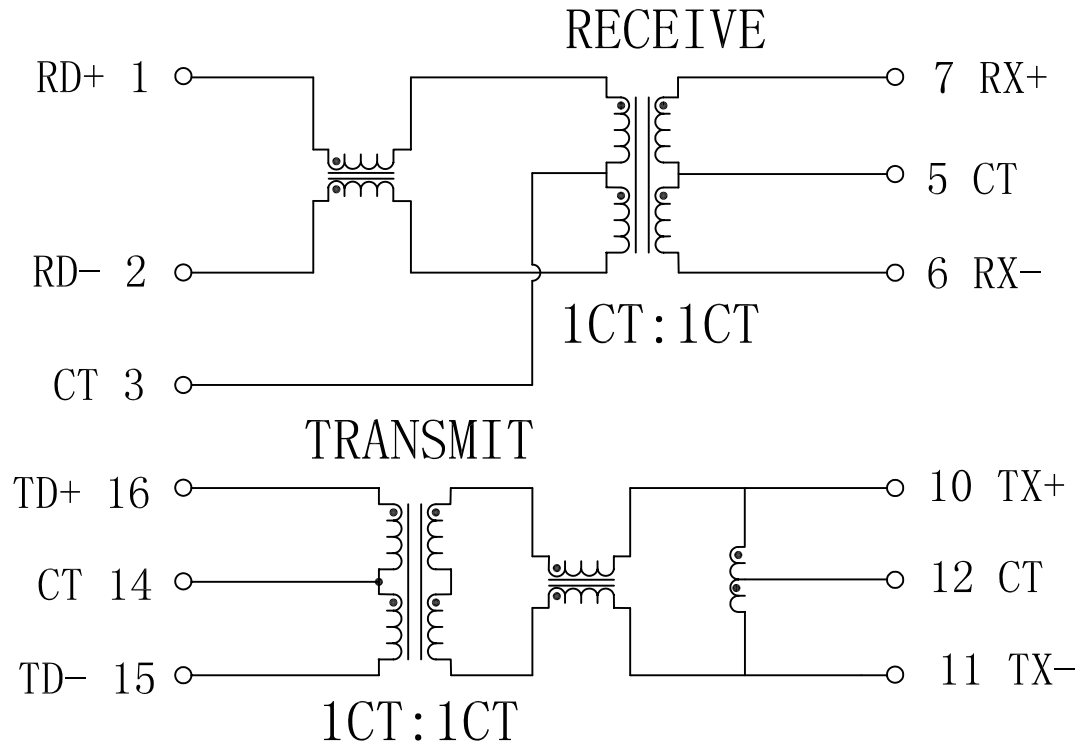
1. Designed to support application, such as SOHO (ADSL modems), LAN-on-Motherboard (LOM), hub and Switches.
2. With various Turns Ratios.
3. 350uH min OCL with 8mA bias current.
4. RoHS "NL" peak solder rating 245°C.



X:X	±0.20	APPD:	X MULTIPLE	
X:XX	±0.10	CHKD:		
X:XXX	±0.05	DR: C. H. Y	Title: 10/100Base-T Single Port Transformer Modules	
ANGLES	±1°	UNIT: mm	PART NO.: XF-TRC1012NL-VTL	
	SCALE: 2/1	SHEET: 1/2	REV: A	DWG NO.: TRC10060208

# Schematic:

REV.	ECN NO.	DESCRIPTION	DATE	APPD
A	REL		2010/06/02	



## Electrical Specifications @25°C

- Insertion Loss:  
0.1-100MHz:-1.0dB MAX
- Return Loss(dB MIN @100Ω):  
1-30MHz:-20      40MHz:-20  
50MHz:-18      60-80MHz:-14
- Crosstalk(dB TYP):  
30MHz:-50      60MHz:-40  
100MHz:-40
- DCMR(dB MIN):  
30MHz:-42      60MHz:-36  
100MHz:-33
- Hipot: 1500Vrms MIN
- Operating Temperature:0~70°C



X:X	±0.20	APPD:	<b>X</b> MULTIPLE	
X:XX	±0.10	CHKD:		
X:XXX	±0.05	DR: C. H. Y		
ANGLES ±1°			UNIT: mm	PART NO. : XF-TRC1012NL-VTL
SCALE: 2/1		SHEET: 2/2	REV: A	DWG NO. : TRC10060208