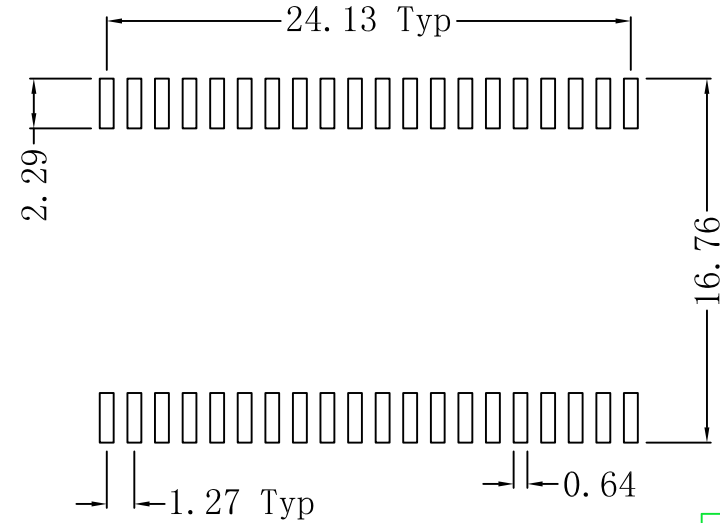
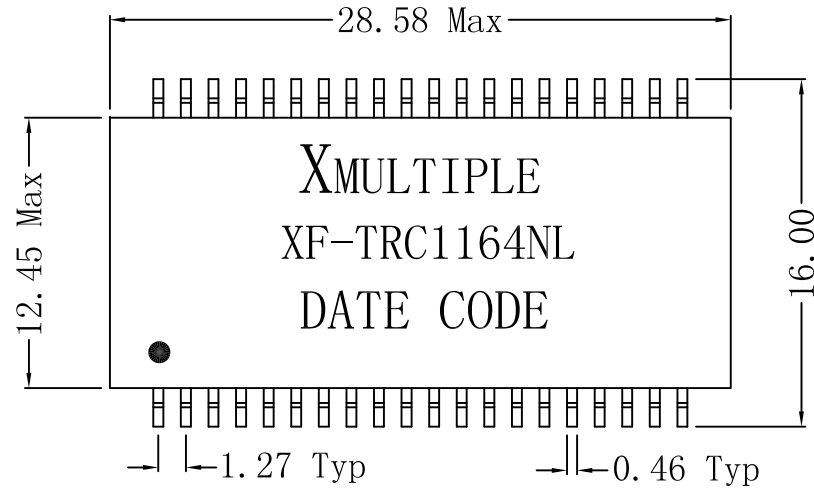
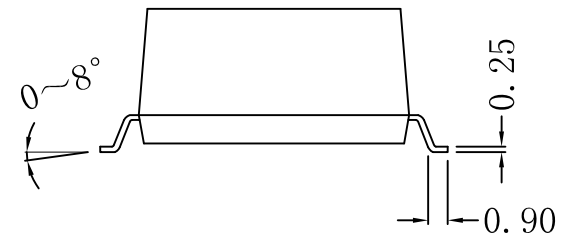
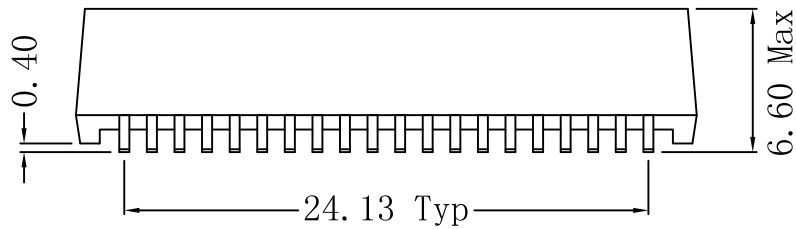


Mechanical :

REV.	ECN NO.	DESCRIPTION	DATE	APPD
A	REL		14/01/2010	



SUGGESTED PAD LAYOUT



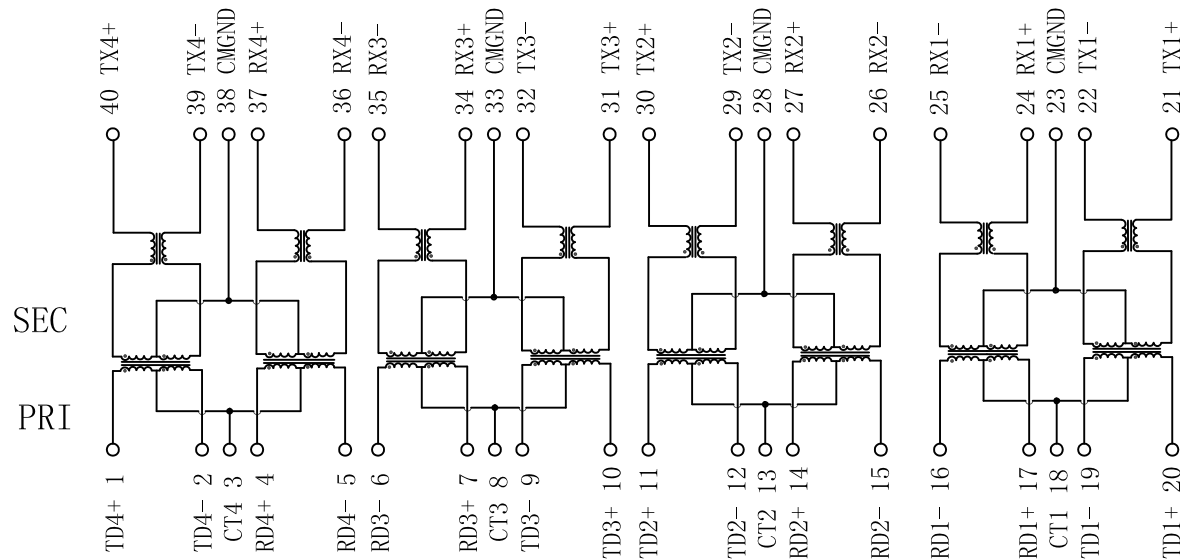
NOTES:

1. Designed to support application, such as SOHO (ADSL modems), LAN-on-Motherboard (LOM), hub and Switches.
2. Meets IEEE 802.3 specification.
3. Maximum reflow temperature is 250°C, 5 Sec.
4. UL certification: file number E321120

X:X	APPD:	XMULTIPLE		
X:XX ±0.15	CHKD:			
X:XXX	DR: C. H. Y	TITLE: 10/100Base-TX Quad Port Transformer Modules		
ANGLES ±1°	UNIT: mm	PART NO.: XF-TRC1164NL		
	SCALE: 2/1	SHEET: 1/2	REV: A	DWG NO.: TRC10011410

Schematic :

REV.	ECN NO.	DESCRIPTION	DATE	APPD
A	REL		14/01/2010	



Electrical Specifications @25°C

- Turns ratio (pri:sec):
1CT:1CT $\pm 2\%$
- OCL: 350uH Min
@100KHz, 100mV, 8mADC Bias.
- Insertion Loss:
0.1-100MHz: -1.0dB MAX
- Return Loss (dB MIN):
2-30MHz: -18 40MHz: -14.4
50MHz: -13.1 60-80MHz: -12
- Crosstalk (dB MIN):
1MHz: -55 30MHz: -45
60MHz: -40 100MHz: -33
- DCMR (dB TYP):
1-60MHz: -37 60-200MHz: -25
- Hipot: 1500Vrms
- Operating Temperature: 0~70°C.



X:X	APPD:	X MULTIPLE
X:XX ± 0.15	CHKD:	
X:XXX	DR: C. H. Y	TITLE: 10/100Base-TX Quad Port Transformer Modules
ANGLES $\pm 1^\circ$	UNIT: mm	PART NO.: XF-TRC1164NL
	SCALE: 2/1	SHEET: 2/2
	REV: A	DWG NO.: TRC10011410