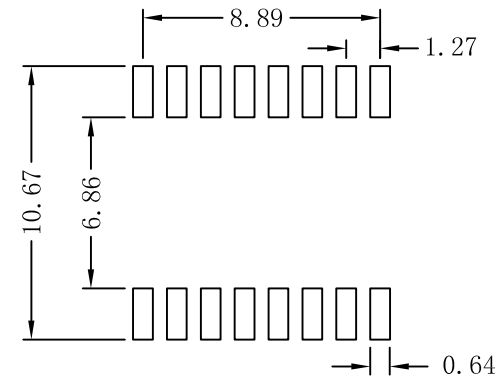
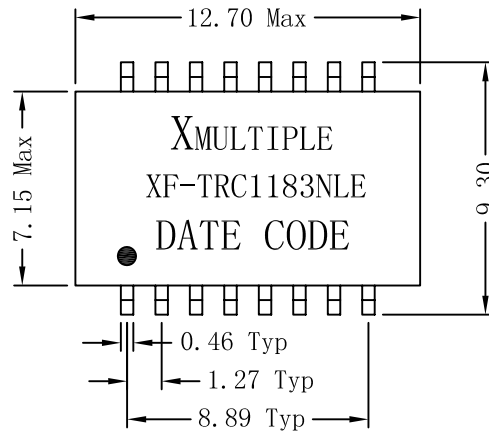
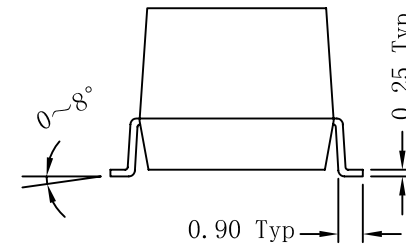
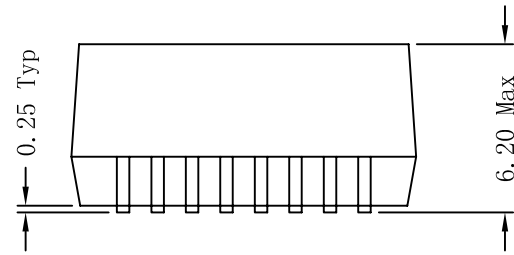


Mechanical:

REV.	ECN NO.	DESCRIPTION	DATE	APPD
A	REL		2010/10/06	



SUGGESTED PAD LAYOUT

NOTES:

1. Designed to support application, such as SOHO (ADSL modems), LAN-on-Motherboard (LOM), hub and Switches.
2. With various Turns Ratios.
3. 350uH min OCL with 8mA bias current.
4. RoHS "NLE" peak solder rating 235°C.
5. UL Certification: File Number E321120

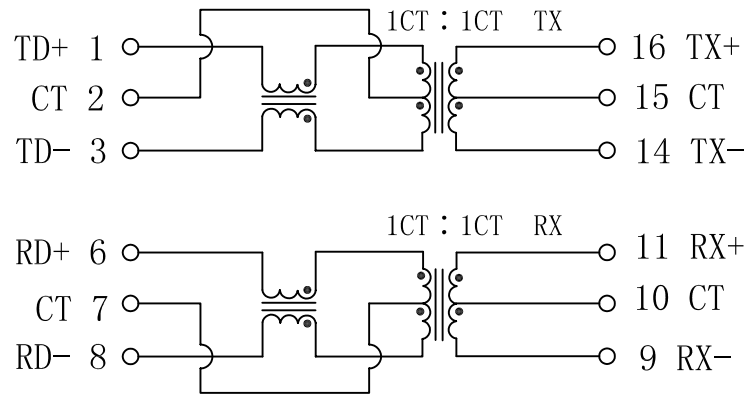


Dimensions: mm
Unless otherwise specified, all tolerances are ± 0.25

X:X	± 0.20	APPD:	X MULTIPLE	
X:XX	± 0.10	CHKD:		
X:XXX	± 0.05	DR: C. H. Y	Title: 10/100Base-T Single Port Transformer Modules	
ANGLES	$\pm 1^\circ$	UNIT: mm	PART NO.:	XF-TRC1183NLE
	SCALE: 2/1	SHEET: 1/2	REV: A	DWG NO.:

Schematic:

REV.	ECN NO.	DESCRIPTION	DATE	APPD
A	REL		2010/10/06	



Electrical Specifications @25°C

1. Turns Ratio:

$$TX=1CT : 1CT \quad RX=1CT : 1CT$$

2. Insertion Loss:

$$0.1-100\text{MHz}:-1.0\text{dB MAX}$$

3. Return Loss(dB TYP):

$$30\text{MHz}:-18 \quad 60\text{MHz}:-14$$

$$80\text{MHz}:-12$$

4. Crosstalk(dB TYP):

$$30\text{MHz}:-35 \quad 60\text{MHz}:-35$$

$$100\text{MHz}:-35$$

5. DCMR(dB TYP):

$$30\text{MHz}:-40 \quad 50\text{MHz}:-40$$

$$100\text{MHz}:-40$$

6. Isolation Voltage: 1500Vrms MIN

7. Operating Temperature: 0°C ~ 70°C.



X:X	±0.20	APPD:	X MULTIPLE	
X:XX	±0.10	CHKD:		
X:XXX	±0.05	DR: C. H. Y		
ANGLES ±1°			UNIT: mm	<i>Title:</i> 10/100Base-T Single Port Transformer Modules PART NO.: XF-TRC1183NLE
SCALE: 2/1		SHEET: 2/2	REV: A	DWG NO.: