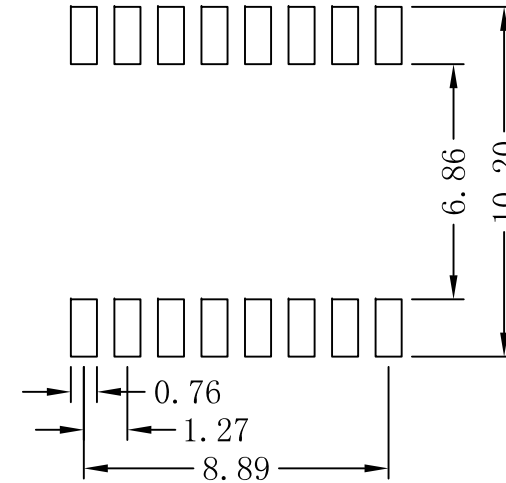
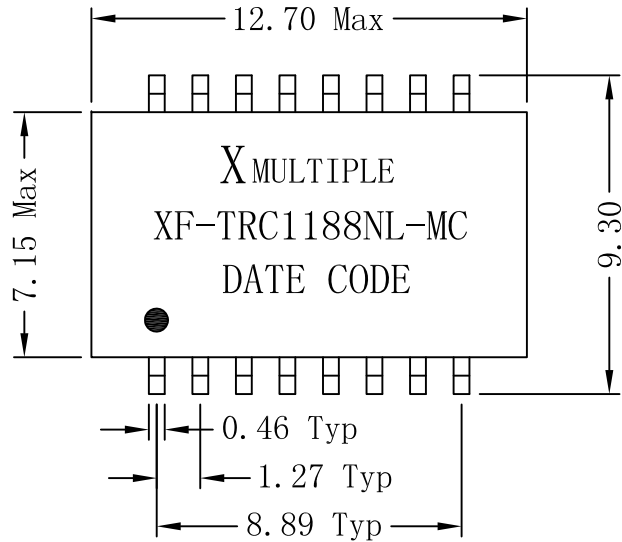
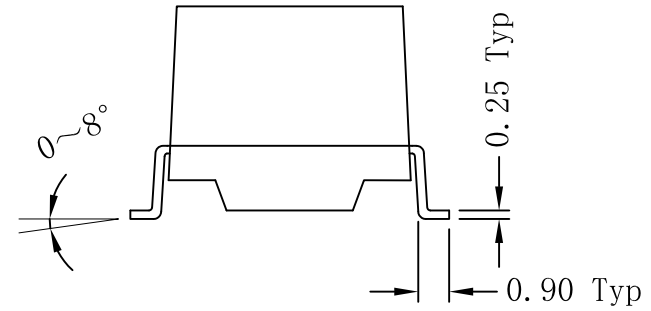
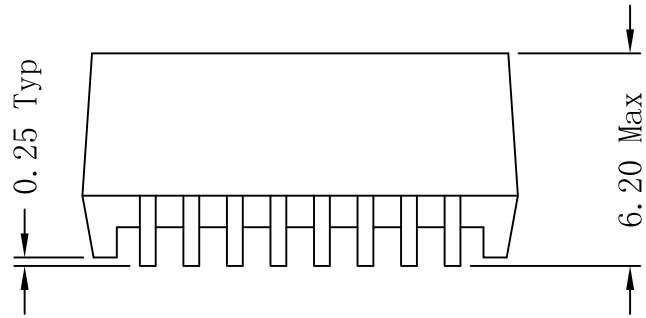


# Mechanical:

REV.	ECN NO.	DESCRIPTION	DATE	APPD
A	REL		19/01/2010	



SUGGESTED PAD LAYOUT

## NOTES:

1. Designed to support application, such as SOHO (ADSL modems), LAN-on-Motherboard (LOM), hub and Switches.
2. With various Turns Ratios.
3. 350uH min OCL with 8mA bias current.
4. RoHS "NL" peak solder rating 250°C.

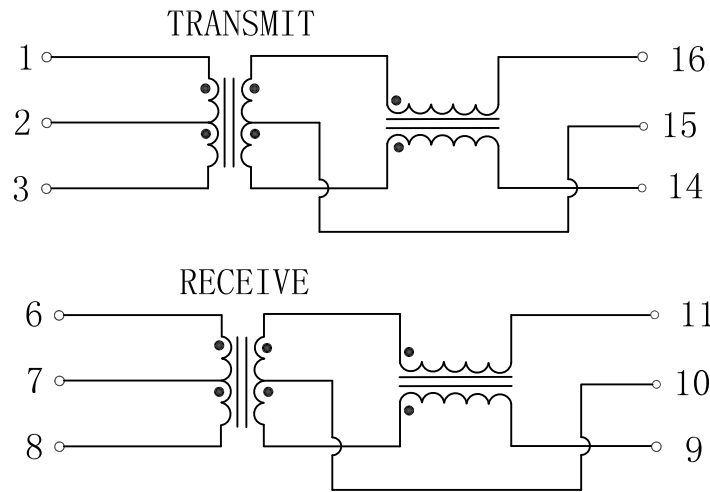
Dimensions: mm

Unless otherwise specified, all tolerances are  $\pm 0.25$

X:X	APPD:	<b>X MULTIPLE</b>		
X:XX	CHKD:			
X:XXX	DR: SEA	TITLE: 10/100 Base-T Single Port Transformer Modules		
ANGLES $\pm 1^\circ$	UNIT: mm	PART NO.: XF-TRC1188NL-MC		
	SCALE: 2/1	SHEET: 1/2	REV: A	DWG NO.: TRC10011930

# Schematic:

REV.	ECN NO.	DESCRIPTION	DATE	APPD
A	REL		19/01/2010	



## Electrical Specifications @25°C

- Turns Ratio( $\pm 3\%$ ):  
TX=1CT : 1CT      RX=1CT : 1CT
- OCL: 350uH MIN  
@100KHz, 100mV, 8mA DC Bias.
- Insertion Loss:  
0.1-100MHz:-1.1dB MAX
- Return Loss(dB MIN @ 100  $\Omega$ ):  
30MHz:-20      60MHz:-14  
80MHz:-11.5
- Crosstalk(dB MIN):  
30MHz:-45      60MHz:-40  
100MHz:-35
- DCMR(dB MIN):  
30MHz:-42      60MHz:-37  
100MHz:-33
- Hipot: 1500Vrms MIN
- Operating Temperature: -40°C ~ +85°C.



X:X	APPD:	<b>X</b> MULTIPLE
X:XX	CHKD:	
X:XXX	DR: SEA	TITLE: 10/100 Base-T Single Port Transformer Modules
ANGLES $\pm 1^\circ$	UNIT: mm	PART NO.: XF-TRC1188NL-MC
	SCALE: 2/1	SHEET: 2/2
	REV: A	DWG NO.: TRC10011930