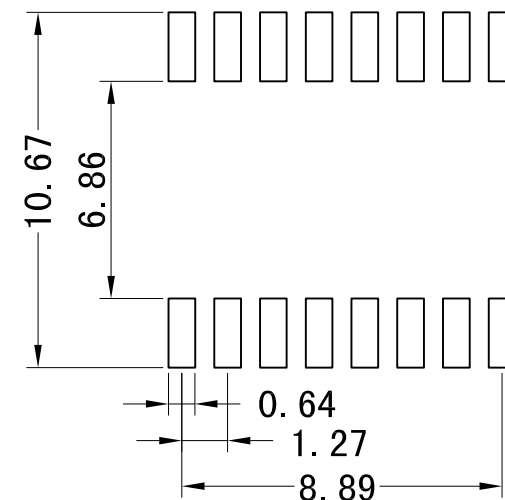
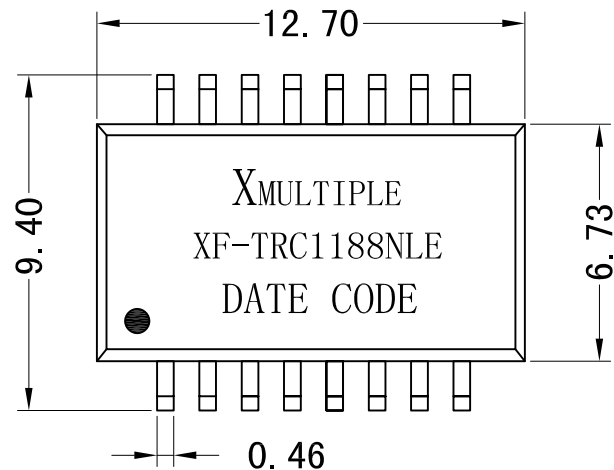
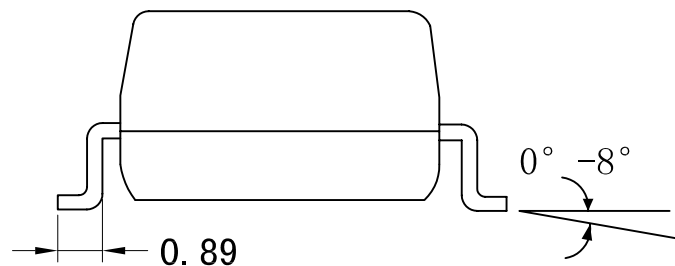
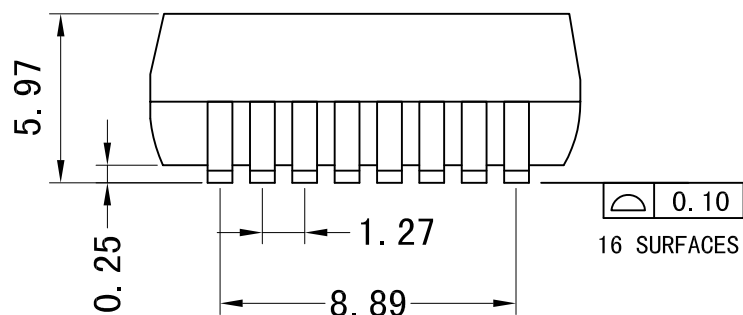


# Mechanical:

REV.	ECN NO.	DESCRIPTION	DATE	APPD
A	REL		2010/12/03	



SUGGESTED PAD LAYOUT



## NOTES:

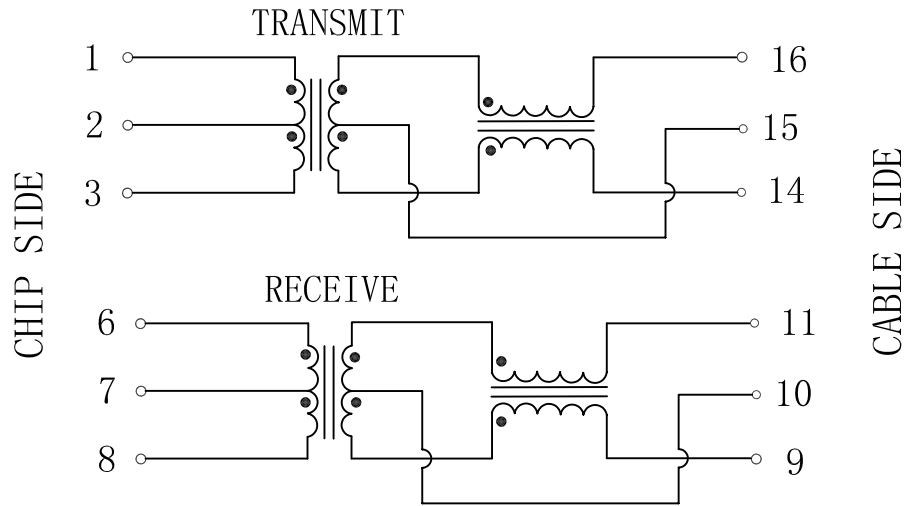
1. With various Turns Ratios.
2. Meets IEEE 802.3 and ANSI X3.263 standards, including 350uH OCL with 8mA bias.
3. For RoHS part add suffix NL
4. RoHS "NLE" peak solder rating 235°C.



X:X	±0.20	APPD:	X MULTIPLE
X:XX	±0.10	CHKD:	
X:XXX	±0.05	DR: C. H. Y	TITLE: 10/100Base-T Single Port Transformer Modules
ANGLES	±1°	UNIT: mm	PART NO.: XF-TRC1188NLE
	SCALE: 2/1	SHEET: 1/2	REV: A DWG NO.: TRC10120301

# Schematic:

REV.	ECN NO.	DESCRIPTION	DATE	APPD
A	REL		2010/12/03	



## Electrical Specifications @25°C:

- Turns Ratio ( $\pm 3\%$ ):  
TX=1CT:1CT      RX=1CT:1CT
- Insertion Loss:  
0.1-100MHz:-1.1dB MAX
- Return Loss (dB MIN @ 100 OHM):  
30MHz:-20      60MHz:-14  
80MHz:-11.5
- Crosstalk (dB MIN):  
30MHz:-45      60MHz:-40  
100MHz:-35
- DCMR (dB MIN):  
30MHz:-42      60MHz:-37  
100MHz:-33
- Hipot:1500Vrms MIN
- Operating Temperature:-40~+85°C



X:X	$\pm 0.20$	APPD:	<b>X</b> MULTIPLE
X:XX	$\pm 0.10$	CHKD:	
X:XXX	$\pm 0.05$	DR: C. H. Y	
TITLE: 10/100Base-T Single Port Transformer Modules			PART NO. : XF-TRC1188NLE
ANGLES	$\pm 1^\circ$	UNIT: mm	
	SCALE: 2/1	SHEET: 2/2	REV: A      DWG NO. : TRC10120301