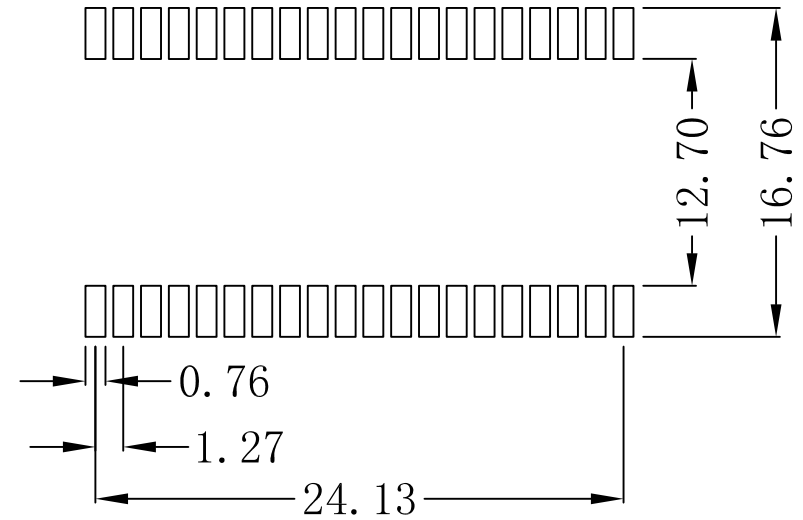
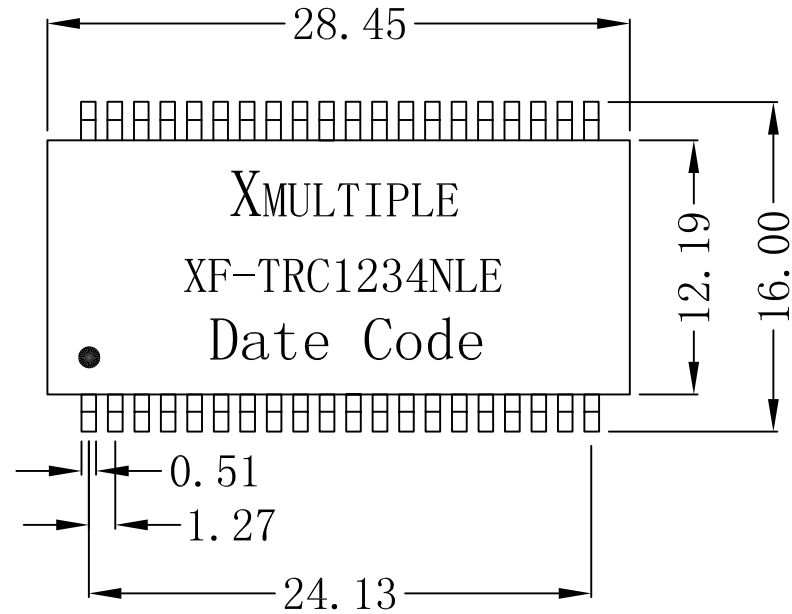
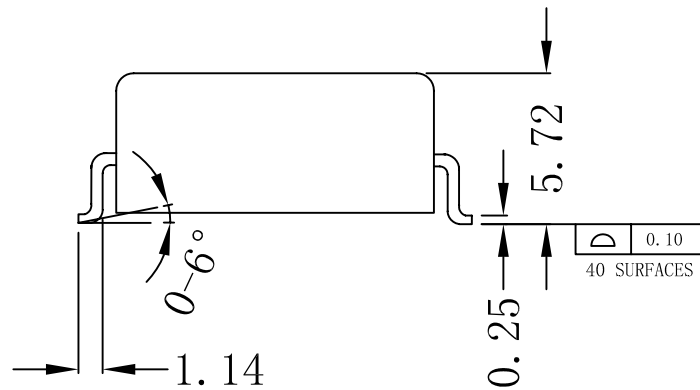


# Mechanical:

| REV. | ECN NO. | DESCRIPTION | DATE       | APPD |
|------|---------|-------------|------------|------|
| A    | REL     |             | 2010/05/13 |      |



SUGGESTED PAD LAYOUT



## NOTES:

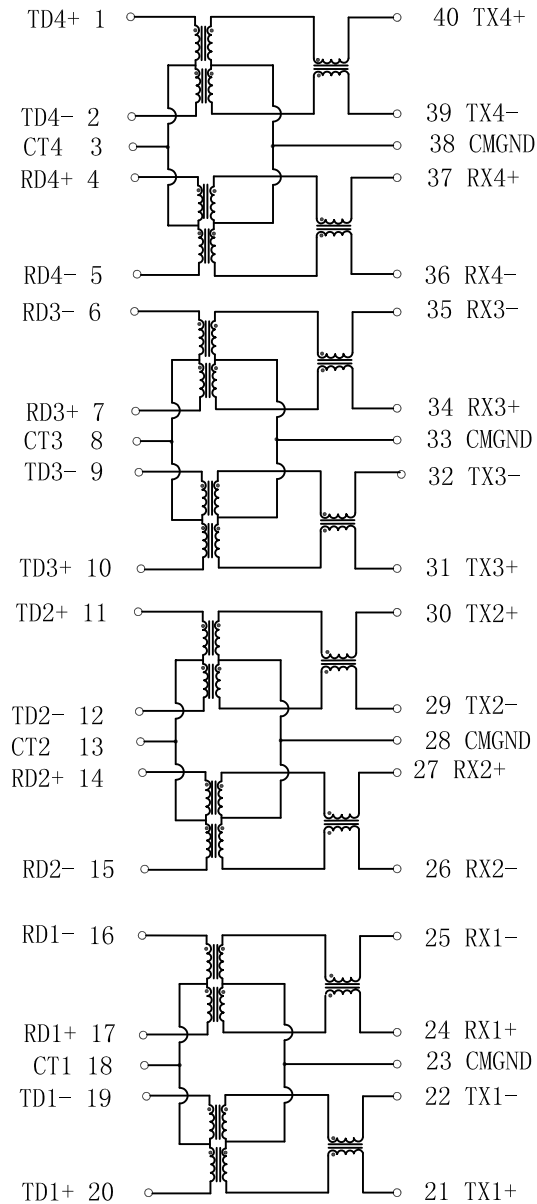
1. Designed to support application, such as SOHO (ADSL modems), LAN-on-Motherboard (LOM), hub and Switches.
2. With various Turns Ratios.
3. 350uH min OCL with 8mA bias current.
4. RoHS "NLE" peak solder rating 235°C.



|        |       |             |   |        |                      |
|--------|-------|-------------|---|--------|----------------------|
| X:X    | ±0.20 | APPD:       | <b>XMULTIPLE</b>                                  |        |                      |
| X:XX   | ±0.10 | CHKD:       |   |        |                      |
| X:XXX  | ±0.05 | DR: C. H. Y | Title: 10/100Base-T Quad Port Transformer Modules |        |                      |
| ANGLES | ±1°   | UNIT: mm    | PART NO.: XF-TRC1234NLE                           |        |                      |
|        |       | SCALE: 2/1  | SHEET: 1/2  | REV: A | DWG NO.: TRC10051305 |

# Schematic:

| REV. | ECN NO. | DESCRIPTION | DATE       | APPD |
|------|---------|-------------|------------|------|
| A    | REL     |             | 2010/05/13 |      |



## Electrical Specifications @25°C

1. Insertion Loss:  
0.1-100MHz:-1.4dB MAX
3. Return Loss(dB MIN):  
2-30MHz:-18; 40MHz:-14.4  
50MHz:-13.1; 60-80MHz:-12
4. Crosstalk(dB MIN):  
0.1MHz:-55; 30MHz:-45  
60MHz:-40; 100MHz:-33
5. DCMR(dB MIN):  
1-60MHz:-37; 60-200MHz:-25
6. Hipot: 1500Vrms
7. Operating Temperature:-40~+85°C.



|        |       |             |   |        |                      |
|--------|-------|-------------|---|--------|----------------------|
| X:X    | ±0.20 | APPD:       | <i>X</i> MULTIPLE                                 |        |                      |
| X:XX   | ±0.10 | CHKD:       |   |        |                      |
| X:XXX  | ±0.05 | DR: C. H. Y | Title: 10/100Base-T Quad Port Transformer Modules |        |                      |
| ANGLES | ±1°   | UNIT: mm    | PART NO.: XF-TRC1234NLE                           |        |                      |
|        |       | SCALE: 2/1  | SHEET: 2/2  | REV: A | DWG NO.: TRC10051305 |