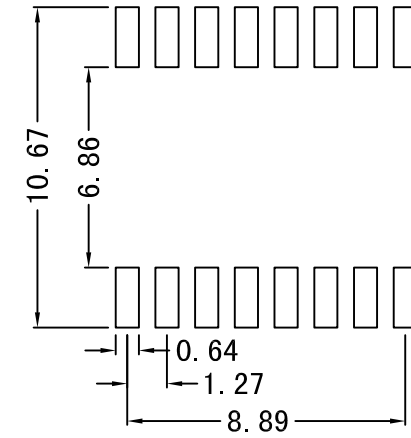
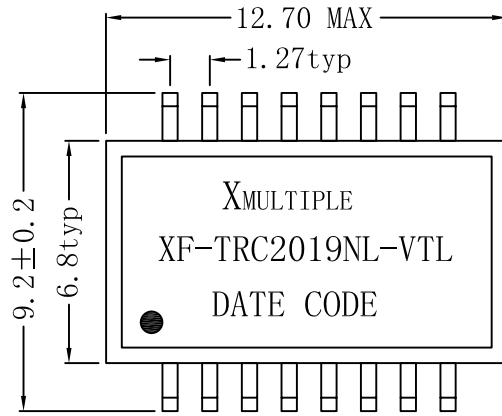
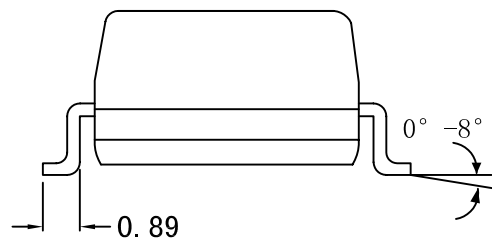
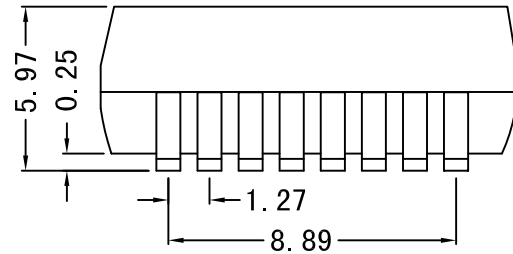


# Mechanical :

REV.	ECN NO.	DESCRIPTION	DATE	APPD
A	REL		29/06/2009	



SUGGESTED PAD LAYOUT



## NOTES:

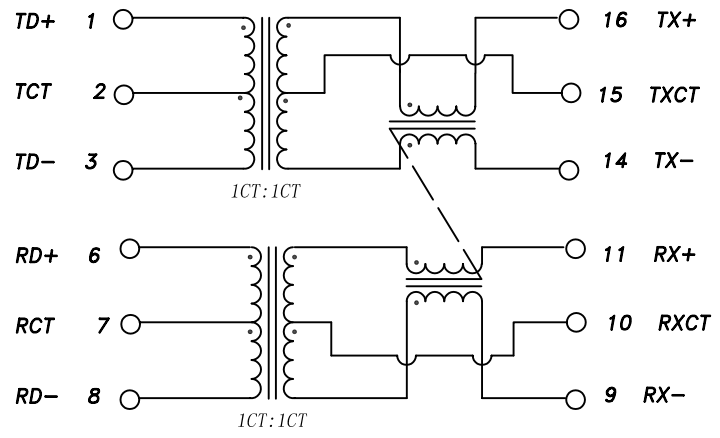
1. Designed to support application, such as SOHO (ADSL modems), LAN-on-Motherboard (LOM), hub and Switches.
2. With various Turns Ratios.
3. RoHS "NLE" peak solder rating 235°C.

X:X	±0.20	APPD:	<i>X<sub>MULTIPLE</sub></i>	
X:XX	±0.10	CHKD:		
X:XXX	±0.05	DR: C. H. Y	<i>Title:</i> 10/100Base-TX VoIP Magnetics Modules	
ANGLES	±1°	UNIT: mm	PART NO.: XF-TRC2019NL-VTL	
	SCALE: 2/1	SHEET: 1/2	REV: A	DWG NO.: TRC09062901

# Schematic:

REV.	ECN NO.	DESCRIPTION	DATE	APPD
A	REL		29/06/2009	

CHIP SIDE



MEDIA SIDE

## Electrical Specifications @25°C

- Turns Ratio:  
TX=1CT:1CT      RX=1CT:1CT
- Insertion Loss:  
0.1-100MHz:-1.4dB MAX
- Return Loss (dB MIN) :  
1-30MHz:-16      40MHz: -14  
50MHz:-13      60-80MHz:-12
- Crosstalk (dB MIN) :  
30MHz:-45      60MHz:-40  
100MHz:-35
- DCMR (dB MIN) :  
30MHz:-43      60MHz:-37  
100MHz:-33
- Isolation Voltage:1500Vrms MIN
- Operating Temperature: 0~70°C.



X:X	±0.20	APPD:	<i>X</i> MULTIPLE
X:XX	±0.10	CHKD:	
X:XXX	±0.05	DR: C. H. Y	<i>Title:</i> 10/100Base-TX VoIP Magnetics Modules
ANGLES	±1°	UNIT: mm	PART NO.: XF-TRC2019NL-VTL
	SCALE: 2/1	SHEET: 2/2	REV: A      DWG NO.: TRC09062901