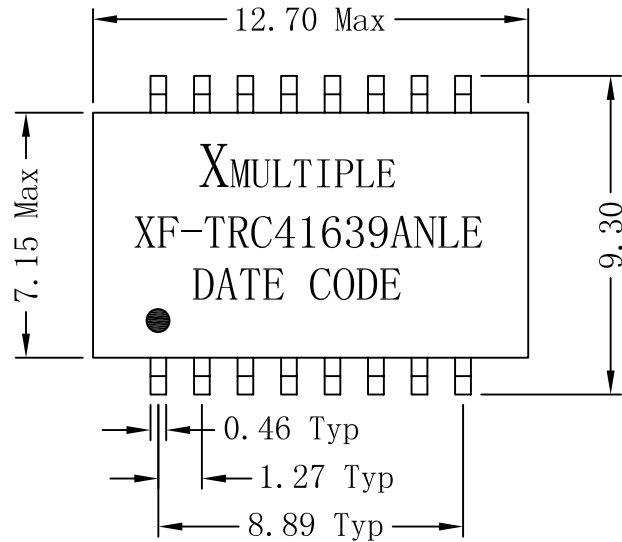
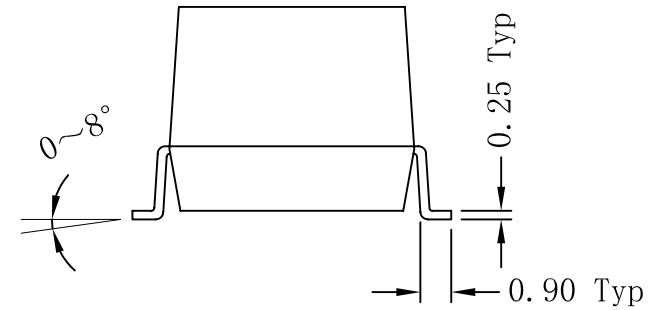
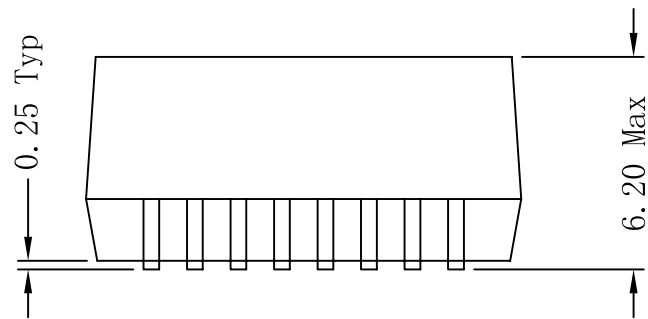


# Mechanical :

REV.	ECN NO.	DESCRIPTION	DATE	APPD
A	REL		2010/12/09	



Dimensions: mm

Unless otherwise specified, all tolerances are  $\pm 0.25$



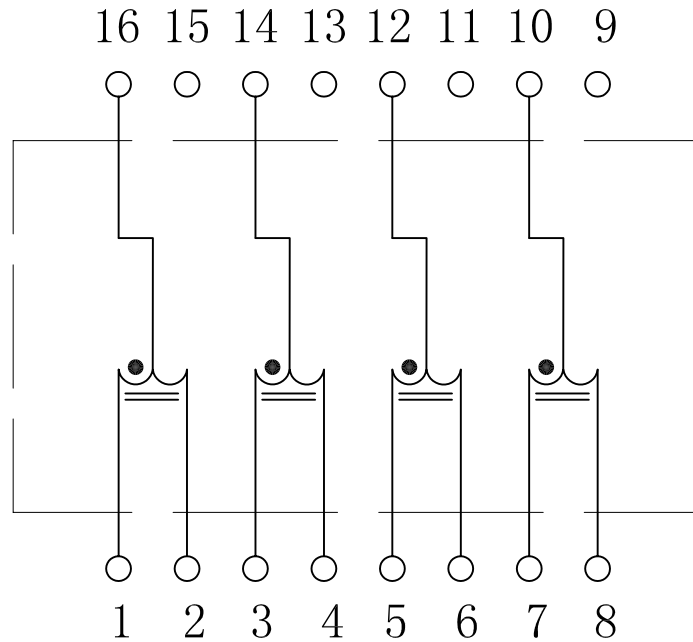
## NOTES:

1. Designed For Back-Plane Fast Ethernet And Gigabit Applications
2. Compatible To Lead-Free Soldering Process Condition Per Ipc/Jedec J-STD-020C.
3. RoHS "NLE" peak solder rating 235°C.

X:X	APPD:	<b>X MULTIPLE</b>
X:XX	CHKD:	
X:XXX	DR: C. H. Y	
TITTLE: 16PIN SURFACE MOUNT AUTO-TRANSFORMERS		
ANGLES $\pm 1^\circ$	UNIT: mm	PART NO. : XF-TRC41639ANLE
	SCALE: 2/1	SHEET: 1/2
	REV: A	DWG NO. : TRC10120911

# Schematic:

REV.	ECN NO.	DESCRIPTION	DATE	APPD
A	REL		19/01/2010	



## Electrical Specifications @25°C

1. OCL (100KHz, 0.1Vrms): 350uH MIN.
2. DCR: 0.9 Ω MAX
3. Isolation Voltage: 1500Vrms
4. Operating Temperature: -40°C ~ +85°C.



X:X	APPD:	<b>X</b> MULTIPLE
X:XX	CHKD:	
X:XXX	DR: C. H. Y	TITLE: 16PIN SURFACE MOUNT AUTO-TRANSFORMERS
ANGLES ±1°	UNIT: mm	PART NO.: XF-TRC41639ANLE
	SCALE: 2/1	SHEET: 2/2
	REV: A	DWG NO.: TRC10120911