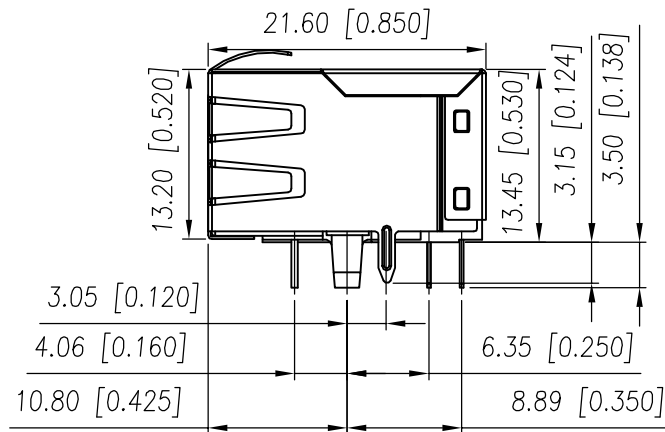
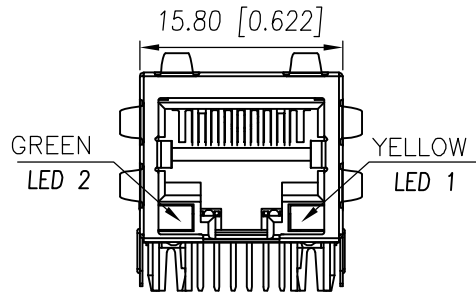
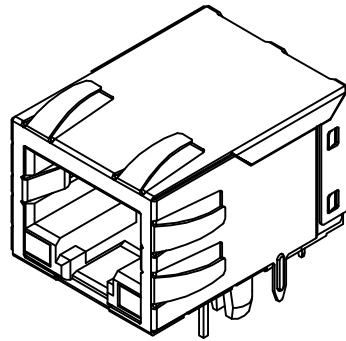
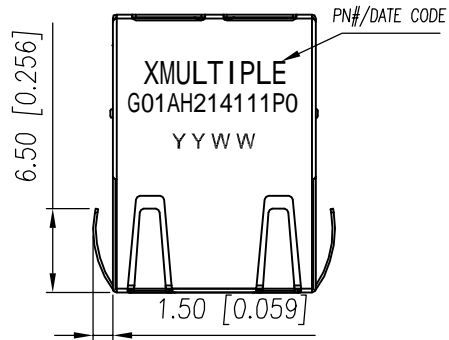


# 1. MECHANICAL DIMENSIONS :

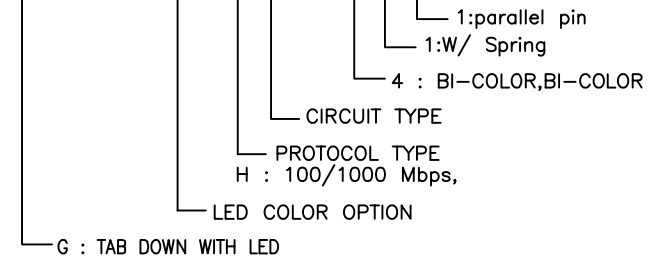


## NOTES:

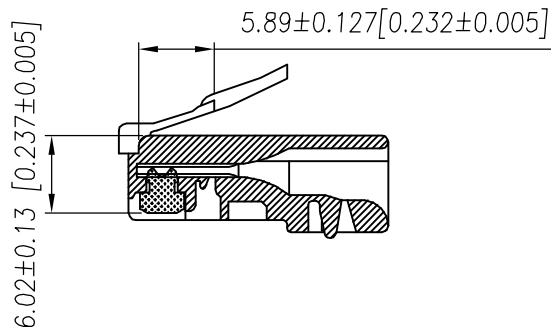
- MATERIALS:  
HOUSING: HIGH TEMPERATURE PBT UL94V-0 BLACK  
CONTACTS: T=0.30PHOSPHOR BORNZE, NICKEL UNDERPLATE ON ALL AREA, TIN ON TERMINATION END, HARD GOLD ON CONTACT AREA.  
SHIELD: SUS T=0.20mm,NICKEL 50u" MIN PLATING.
- JACK CAVITY CONFORMS TO FCC RULES AND REGULATIONS PART 68, SUBPART F

## PART NO:

XMG-01-A-H21-411-1P0



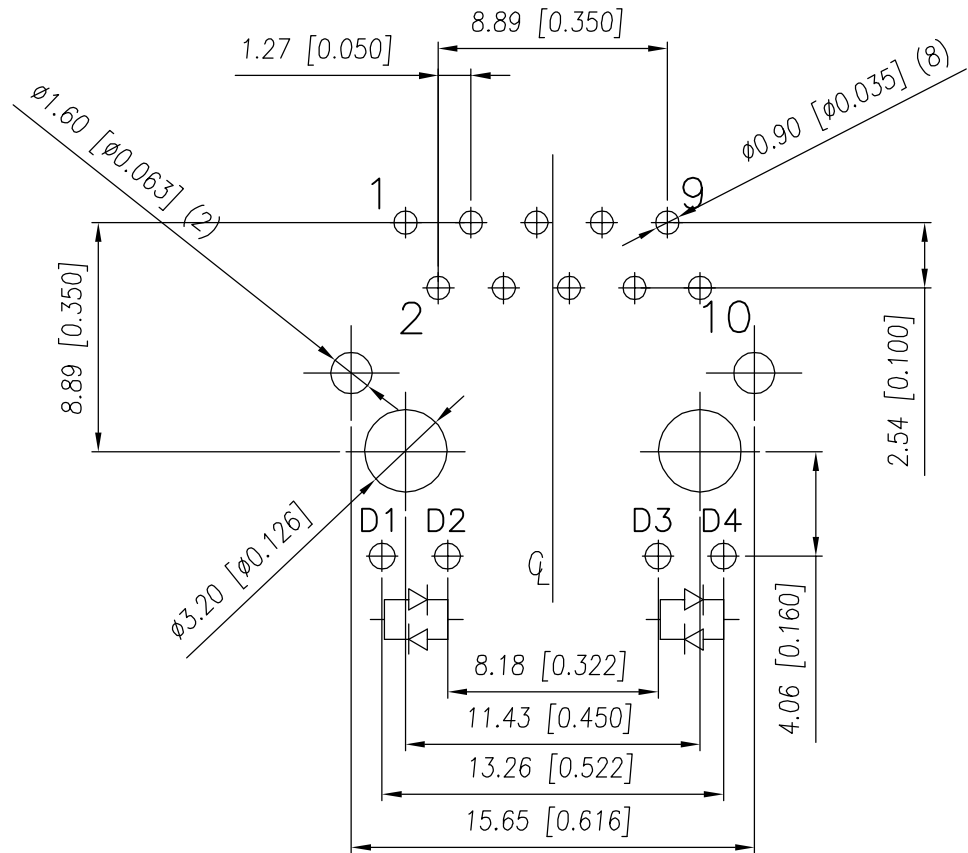
## RECOMMENED PLUG DIMENSION:



# RoHS Compliant

XMULTIPLE			CONNECTING THE INFORMATION AGE	
Xmultiple Technologies, Inc. 1060 Los Angeles Avenue Simi Valley, CA 93065			G/NO:	
THIS DRAWING IS A CONTROLLED DOCUMENT.			DWG NO: XMG-01-A-H21-411-1P0	
TITLE: RJ45 Connectors, W/LED, 10P, 8C, Shielded/Thru Hole/100/1000Mbps/FILTER			DRAWN: Ivy Li	
PART NO: XMG-01-A-H21-411-1P0			CHKD: Michael	
UNIT		SHEET	REV	
mm[inch ]		1 of 3	01	
			DATE: 2012/03/26	

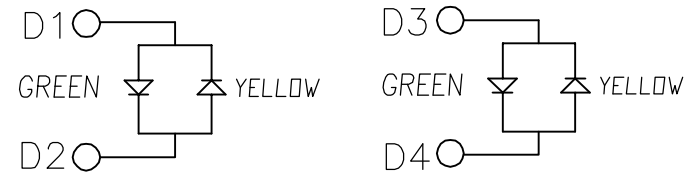
## 2. PCB LAYOUT



SUGGESTED PCB LAYOUT  
(TOP VIEW)

DIMENSIONAL TOLERANCE: .XX ±0.05[0.001]

## 3. LED CONFIGURATION

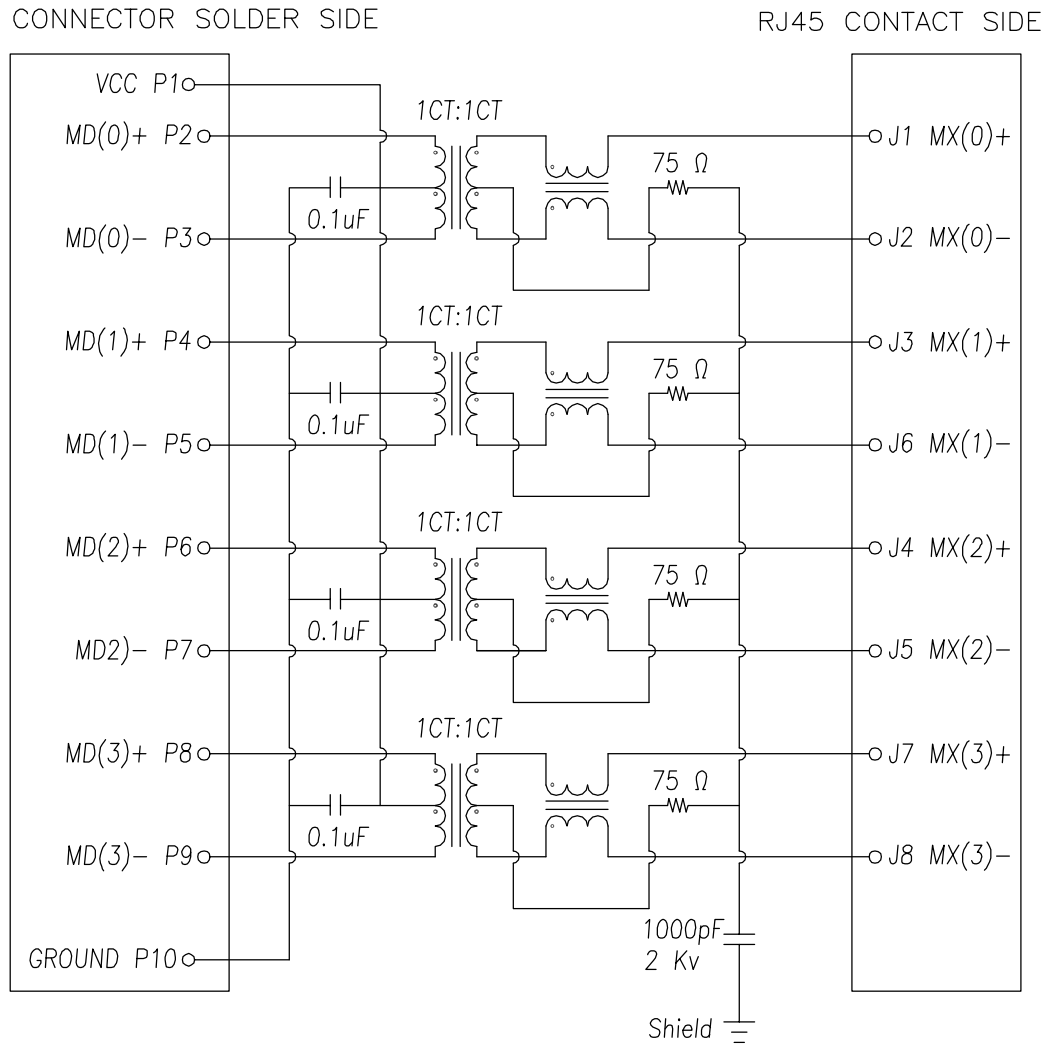


Color	Lens Color	Vf(v) @20mA		Iv(mcd) @10mA		Viewing angle 2θ 1/2
		Min	Max	Min	Typ	
Yellow	Yellow Diffused	1.7	2.8	3.0	6.0	116
Green	Green Diffused	1.7	2.8	3.5	6.0	116

# RoHS Compliant

X MULTIPLE			CONNECTING THE INFORMATION AGE	
Xmultiple Technologies, Inc. 1060 Los Angeles Avenue Simi Valley, CA 93065				G/NO:
THIS DRAWING IS A CONTROLLED DOCUMENT.				DWG NO: XMG-01-A-H21-411-1P0
TITLE: RJ45 Connectors, W/LED, 10P, 8C, Shielded/Thru Hole/100/1000Mbps/FILTER				DRAWN: Ivy Li
PART NO: XMG-01-A-H21-411-1P0				CHKD: Michael
UNIT mm[inch ]		SHEET 2 of 3	REV 01	DATE: 2012/03/26

#### 4. SCHMATIC :



#### 5. ELECTRICAL CHARACTERISTICS :

TEST NOTES:(25±5°C)

- TR:(100KHz,0.1V);  
PINS:(P2,P3):(J1,J2)=1:1±3%;(P4,P5):(J3,J6)=1:1±3%  
PINS:(P6,P7):(J4,J5)=1:1±3%;(P8,P9):(J7,J8)=1:1±3%
- LX:(100KHz,100mV,8mA, DC Bias)  
PINS:(P2,P3),(P4,P5),(P6,P7),(P8,P9)=350uH MINIMUM
- DCR:  
PINS:(J1,J2),(J3,J6),(J4,J5),(J7,J8)=1.2 OHMS MAXIMUM
- HIPOT:  
PINS(P2,P3)TO(J1,J2),(P4,P5)TO(J3,J6)=1500VAC FOR 60 SECONDS  
PINS(P6,P7)TO(J4,J5),(P8,P9)TO(J7,J8)=1500VAC FOR 60 SECONDS
- INSERTION LOSS:  
-1.0dB MAXIMUM AT 0.3MHz TO 100MHz;
- RETURN LOSS:  
-20dB MINIMUM AT 1MHz TO 30MHz;  
-15dB MINIMUM AT 30MHz TO 60MHz  
-10dB MINIMUM AT 60MHz TO 80MHz
- CROSS TALK:  
-30dB MINIMUM AT 1MHz TO 100MHz
- COMMON TO COMMON MODE REJECTION:  
-30dB MINIMUM AT 1MHz TO 100MHz

# RoHS Compliant

X MULTIPLE			CONNECTING THE INFORMATION AGE	
Xmultiple Technologies, Inc.1060 Los Angeles Avenue Simi Valley, CA 93065			G/NO:	
THIS DRAWING IS A CONTROLLED DOCUMENT.			DWG NO: <b>XMG-01-A-H21-411-1P0</b>	
TITLE: RJ45 Connectors, W/LED,10P, 8C, Shielded/Thru Hole/100/1000Mbps/FILTER			DRAWN: Ivy Li	
PART NO: <b>XMG-01-A-H21-411-1P0</b>			CHKD: Michael	
UNIT		SHEET	REV	
mm[inch ]		3 of 3	01	
			DATE: 2012/03/26	