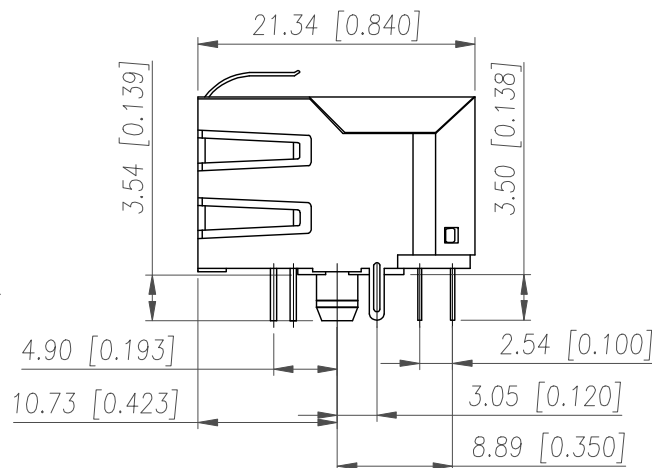
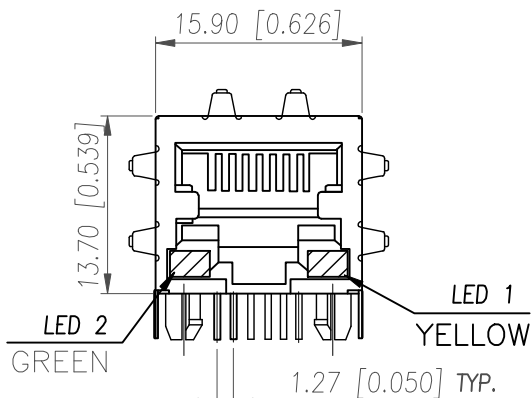
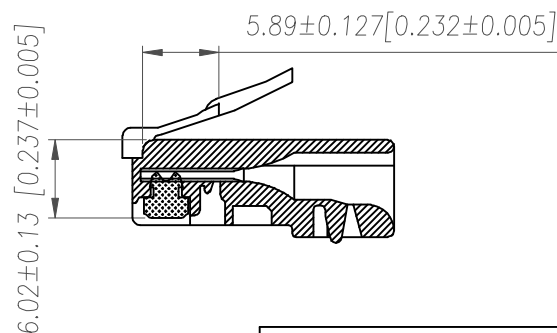
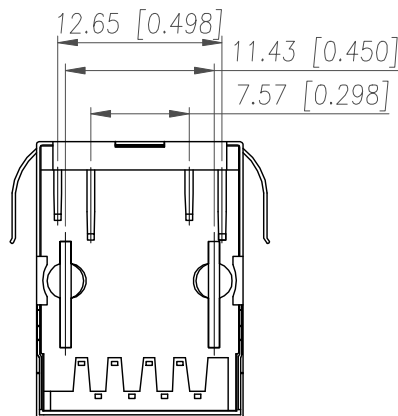


1. MECHANICAL DIMENSIONS :



RECOMMENED PLUG DIMENSION:



NOTES:

1. MATERIALS:

HOUSING: PBT POLYESTER UL94V-0
MIXED GLASS FIBER.
STANDARD COLOR-BLACK.

CONTACTS: 0.35mm THICK PHOS-BRONZE PLATED
WITH 6u" GOLD IN CONTACT AREA AND TIN
IN SOLDER AREA, UNDERPLATED WITH NICKEL
IN ALL AREA.

SHIELD: 0.25mm THICK COPPER ALLOY,
PLATED WITH NICKEL.

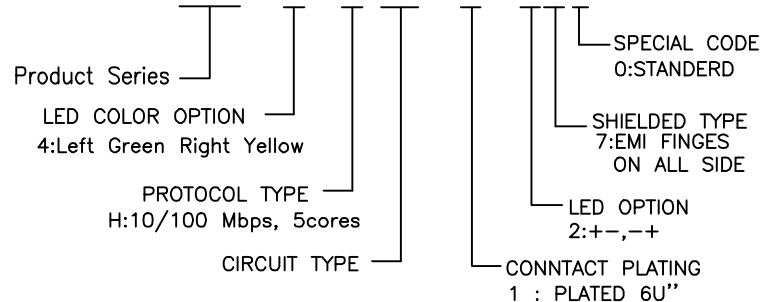
2. OPERATING TEMPERATURE: -40°C~+105°C

3. CAVITY CONFORMS TO FCC RULES AND REGULATIONS PART 68, SUBPART F

4. UNSPECIFIED TOLERANCE: .XX ±0.25[0.010] .X ±0.30[0.012]

PART NO:

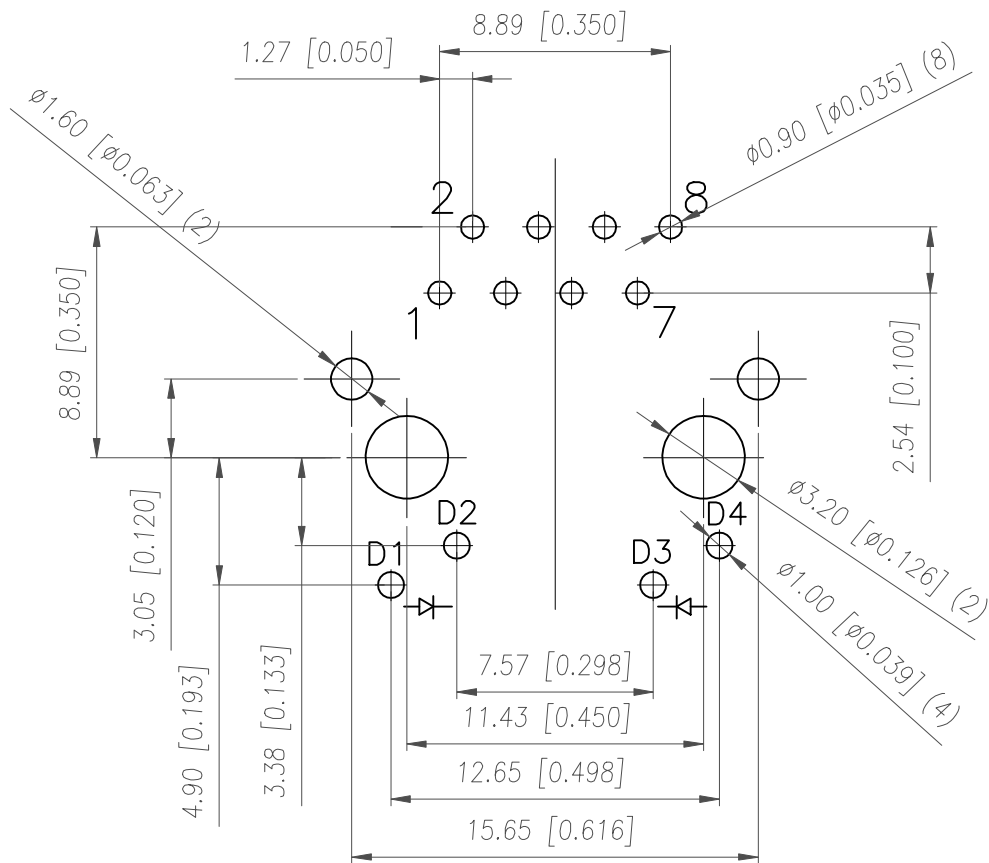
XMG-01K-4-E13-1-270



RoHS Compliant

TOLERANCE UNSPECIFIED		X MULTIPLE		CONNECTIN THE INFORMATIO AGF	
.0	±0.38				
.00	±0.25	TITLE: RJ45 Connectors, W/LED, 8P, 8C,Shielded/Thru Hole/10/100Mbps FILTER			
.000	±0.15	SIZE: A4	UNIT: mm	PART NO.	XMG-01K-4-E13-1-270
ANGLE	±3.00°	CHECKED BY	Ann Yang	SCALE: 1:1	PROJECTION
MANUFACTURING COPY		DATE	2010.04.25	DWG NO.	LK-RJ-WST-167
				SHEET	1 OF 3

2. PCB LAYOUT



SUGGESTED PCB LAYOUT
(TOP VIEW)

DIMENSIONAL TOLERANCE: .XX ±0.05[0.001]

3. LED CONFIGURATION



Color	Lens Color	Vf(v) @20mA		Iv(mcd) @10mA		Viewing angle 2θ 1/2
		Min	Max	Min	Typ	
Yellow	Yellow Diffused	1.7	2.8	3.0	6.0	116
Green	Green Diffused	1.7	2.8	3.5	6.0	116

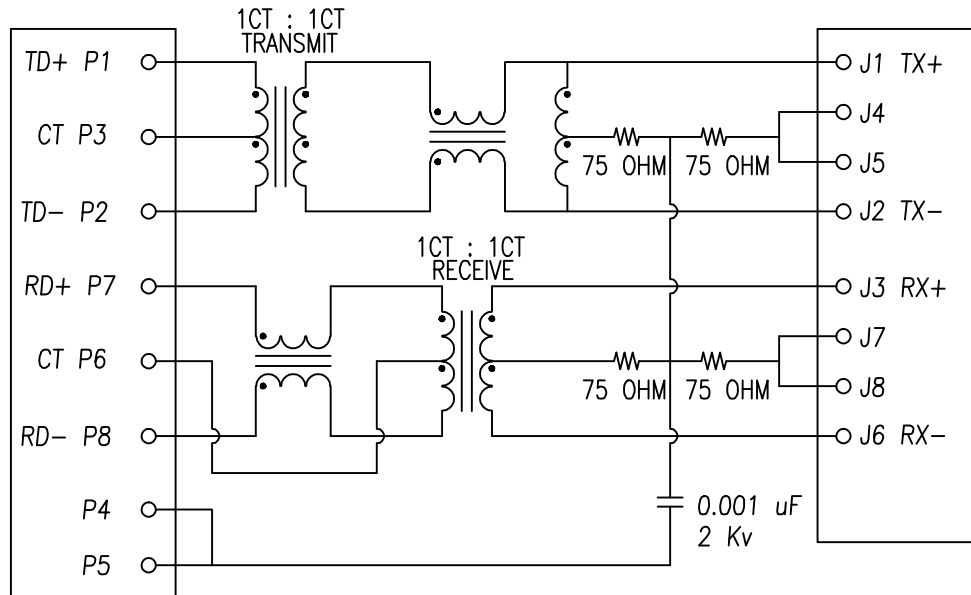
RoHS Compliant

TOLERANCE UNSPECIFIED		X MULTIPLE				CONNECTIN THE INFORMATIO AGF	
.0	±0.38						
.00	±0.25	TITLE: RJ45 Connectors, W/LED, 8P, 8C,Shielded/Thru Hole/10/100Mbps FILTER					
.000	±0.15	SIZE: A4	UNIT: mm	PART NO.	XMG-01K-4-E13-1-270		
ANGLE	±3.00°	CHECKED BY	Ann Yang	SCALE: 1:1	PROJECTION	REV.: A0	
MANUFACTURING COPY		DATE	2010.04.25	DWG NO.	LK-RJ-WST-167	SHEET	2 OF 3

4. SCHMATIC :

CONNECTOR SOLDER SIDE

RJ45 CONTACT SIDE



5. ELECTRICAL CHARACTERISTICS :

TEST NOTES:(25±5°C)

1.TR:(100KHz,0.1V);

PINS:(P1-P2):(J1-J2)=1:1±3%

PINS:(P7-P8):(J3-J6)=1:1±3%

2.LX:(100KHz,100mV,8mA, DC Bias)

PINS: (P1,P2),(P7,P8)=350uH MINIMUM

3.DCR:

PINS:(J1-J2),(J3-J6)= 1.2 OHMS MAXIMUM

4.HIPOT:

PINS(P1,P3,P2)TO(J1,J2)=1500VAC FOR 2 SECONDS

PINS(P7,P6,P8)TO(J3,J6)=1500VAC FOR 2 SECONDS

5.INSERTION LOSS:

-1.0dB MAXIMUM AT 1MHz TO 100MHz;

6.RETURN LOSS:

-20dB MINIMUM AT 1MHz TO 30MHz;

-15dB MINIMUM AT 30MHz TO 60MHz

-10dB MINIMUM AT 60MHz TO 80MHz

7.CROSS TALK:

-30dB MINIMUM AT 1MHz TO 100MHz

8.COMMON TO COMMON MODE REJECTION:

-30dB MINIMUM AT 1MHz TO 100MHz

RoHS Compliant

TOLERANCE UNSPECIFIED		X MULTIPLE		CONNECTIN THE INFORMATIO AGF			
.0	±0.38						
.00	±0.25	TITLE: RJ45 Connectors, W/LED, 8P, 8C,Shielded/Thru Hole/10/100Mbps FILTER					
.000	±0.15	DRAWN BY	Jim Wang	SIZE:A4	UNIT: mm	PART NO.	XMG-01K-4-E13-1-270
ANGLE	±3.00°	CHECKED BY	Ann Yang	SCALE:	1:1	PROJECTION	REV.: A0
MANUFACTURING COPY		DATE	2010.04.25	DWG NO.	LK-RJ-WST-167	SHEET	3 OF 3