

SPECIFICATION FOR APPROVAL

PART NO.: XMG-9771-AE51131-246

PRODUCT DESCRIPTION.: 10/100 Base-T RJ45, 1X1 TabDown w/Transformer w/LED w/POE



REV:A

Xmultiple

MARKETING GROUP	R&D GROUP	QA GROUP
ISSUED BY	CHECKED BY	QA INSPECTION
Gino	De	Xu Long

CUSTOMER: _____

CUSTOMER PART NO.: _____

SAMPLE Q'TY: _____

CUSTOMER

CUSTOMER APPROVAL:

APPROVAL

CONCESSIONARY

REJECTED

ISSUED BY	CHECKED BY	APPROVED BY

COMMENTS:

SPECIFICATION FOR APPROVAL

CUSTOMER PART NO.:

XMG- PART NO.: XMG-9771-AE51131-246

PRODUCT DESCRIPTION.: 10/100 Base-T RJ45, 1X1 TabDown w/Transformer w/LED w/POE



TEMP(°C):25

HUM(%):65 RH

REV:A

CONTENT

	TOTAL	11	PAGES
1. COVER PAGE	PAGE	1	OF 11
2. CONTENT	PAGE	2	OF 11
3. REVISION CHANGE RECORD	PAGE	3	OF 11
4. SPECIFICATION AND PERFORMANCE	PAGE	4	OF 11
5. MECHANICAL DIMENSION AND LABEL	PAGE	5	OF 11
6. RECOMMENDED PCB LAYOUT	PAGE	6	OF 11
7. CIRCUIT SCHEMATIC	PAGE	7	OF 11
8. LED ELECTRICAL / OPTICAL CHARACTERISTICS	PAGE	8	OF 11
9. ELECTRICAL CHARACTERISTICS	PAGE	9	OF 11
10. PROFILE OF WAVE SOLDER	PAGE	10	OF 11
11. PACKAGE	PAGE	11	OF 11

SPECIFICATION FOR APPROVAL

CUSTOMER PART NO.:

XMG- PART NO.: XMG-9771-AE51131-246

PRODUCT DESCRIPTION.: 10/100 Base-T RJ45, 1X1 TabDown w/Transformer w/LED w/POE



TEMP(°C):25

HUM(%):65 RH

REV:A

4. SPECIFICATION AND PERFORMANCE

4-1 Scope

This specification covers the requirements for product performance, tests and quality assurance provisions for TRANSFORMER JACK

4-2 Applicable document

The following documents form a part of this specification to the extent specified herein. In the event of conflict between the requirements of this specification and the product drawing shall take precedence

4-3 Requirements

4-3-1 Design and construction

Product shall be of the design, construction and physical dimensions specified on the applicable product drawing
Complies with IEEE standards and all 10/100 Ethernet

4-3-2 Materials and finish

Housing:	Glass filed polyester UL94V-0,Pantone Black
Contact:	Phosphor Bronze t=0.35mm FLAT PIN
Plating:	6U" gold plating over nickel
Shielded:	0.20mm thickness copper alloy with nickel plated
PCB retention fre-solder:	1LB min.
PCB retention post-solder:	10 LBS min.
Tails:	150U"~200U" Tin-Lead min. over 30U" ~50U" nickel(RoHS6)

4-3-3 Mechanical characteristics:

Durability:750(modular jack) insertion/plug dimension cycles at min. rate of 120 cycles per minute

4-3-4 Electrical

Contact resistance:	30 milliohms max.
Insulation resistance:	500 megohms min. @500 VDC.
Dielectric strength:	1500 VAC RMS 60Hz,1min.

4-3-5 Environmental:

Operating temperature:	0°C~+70°C
Storage temperature:	-40°C~+85°C

Mates with modular plug conforming to FCC pact 68 .

4-3-6 Applicable printed circuit board

The product is designed to meet the electrical, mechanical and environmental performance requirements specified in product drawing

SPECIFICATION FOR APPROVAL

CUSTOMER PART NO.:

XMG- PART NO.: XMG-9771-AE51131-246

PRODUCT DESCRIPTION.: 10/100 Base-T RJ45, 1X1 TabDown w/Transformer w/LED w/POE



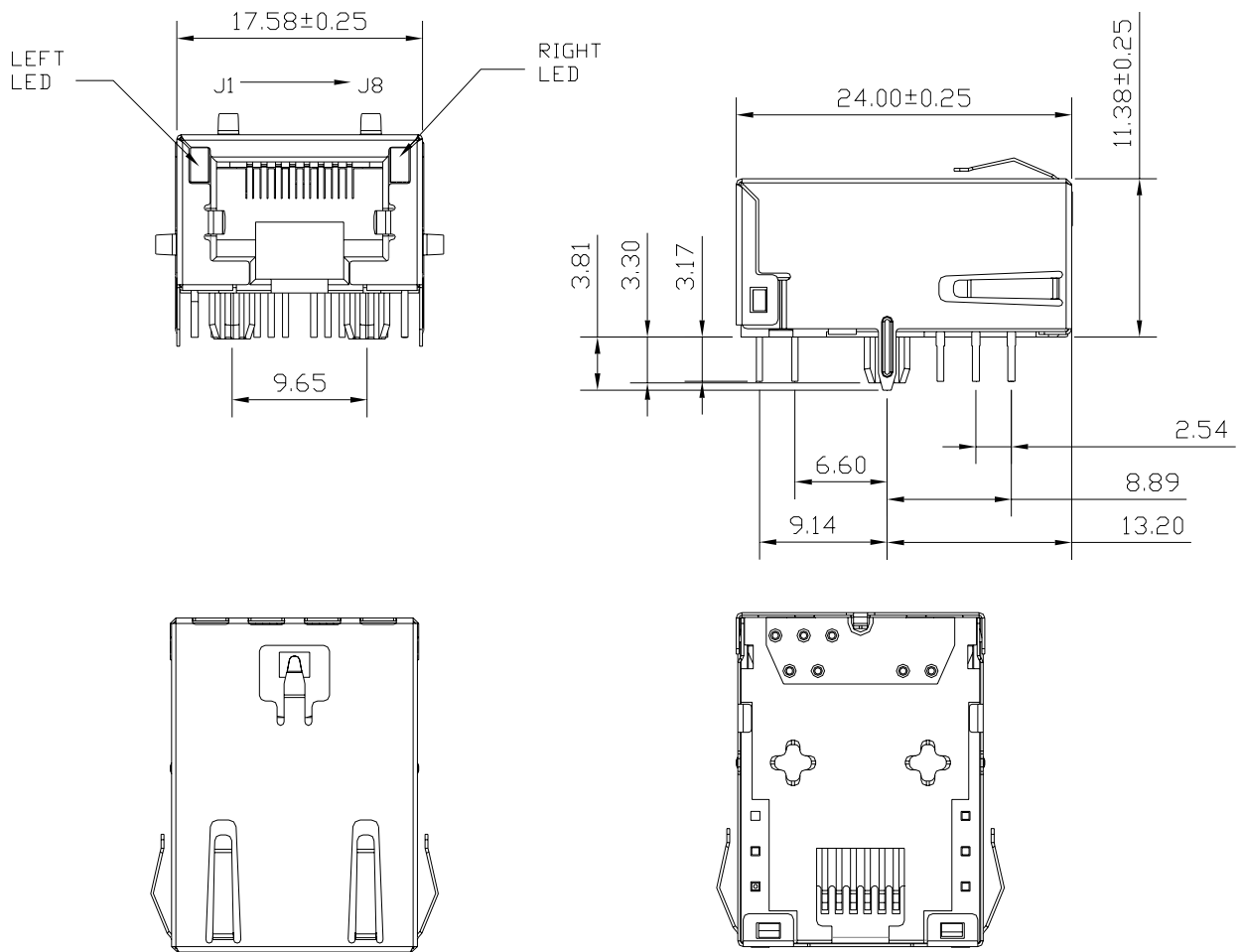
TEMP(°C):25

HUM(%):65 RH

REV:A

TOLERANCE(mm):
 .0 ± 0.20
 .00 ± 0.15
 .000 ± 0.075

5. MECHANICAL DIMENSION AND LABEL



SPECIFICATION FOR APPROVAL

CUSTOMER PART NO.:

XMG- PART NO.: XMG-9771-AE51131-246

PRODUCT DESCRIPTION.: 10/100 Base-T RJ45, 1X1 TabDown w/Transformer w/LED w/POE

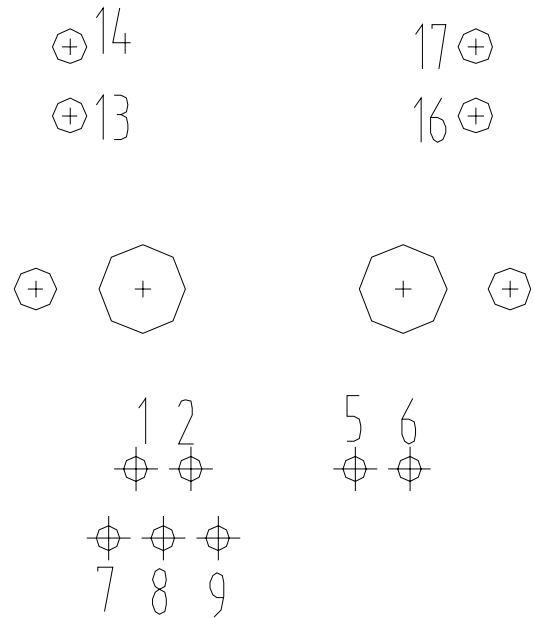
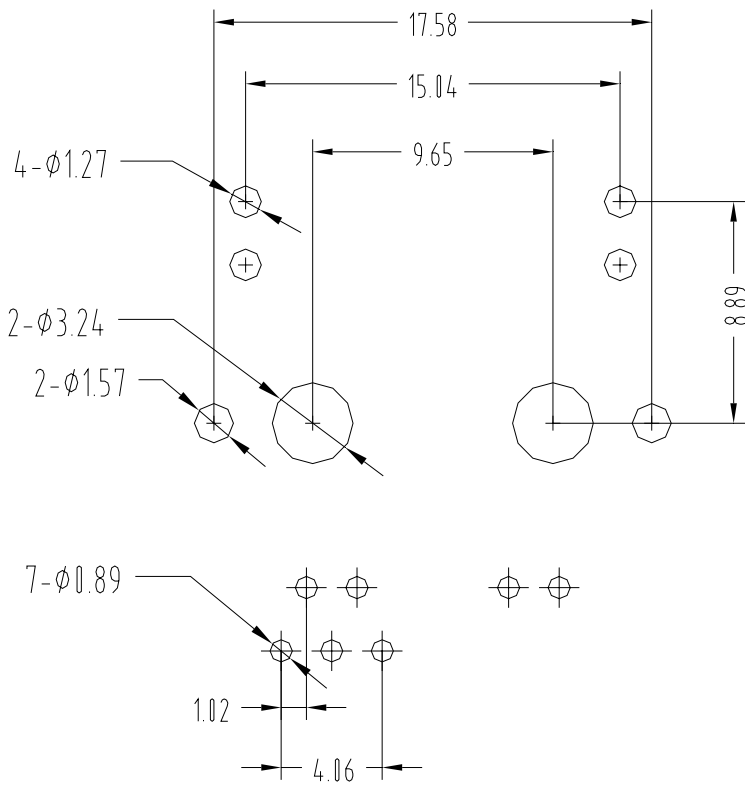


TEMP(°C):25

HUM(%):65 RH

REV:A

6. RECOMMENDED PCB LAYOUT: UNIT: (mm)



PIN-OUT INFORMATION

SPECIFICATION FOR APPROVAL

CUSTOMER PART NO.:

XMG- PART NO.: XMG-9771-AE51131-246

PRODUCT DESCRIPTION.: 10/100 Base-T RJ45, 1X1 TabDown w/Transformer w/LED w/POE

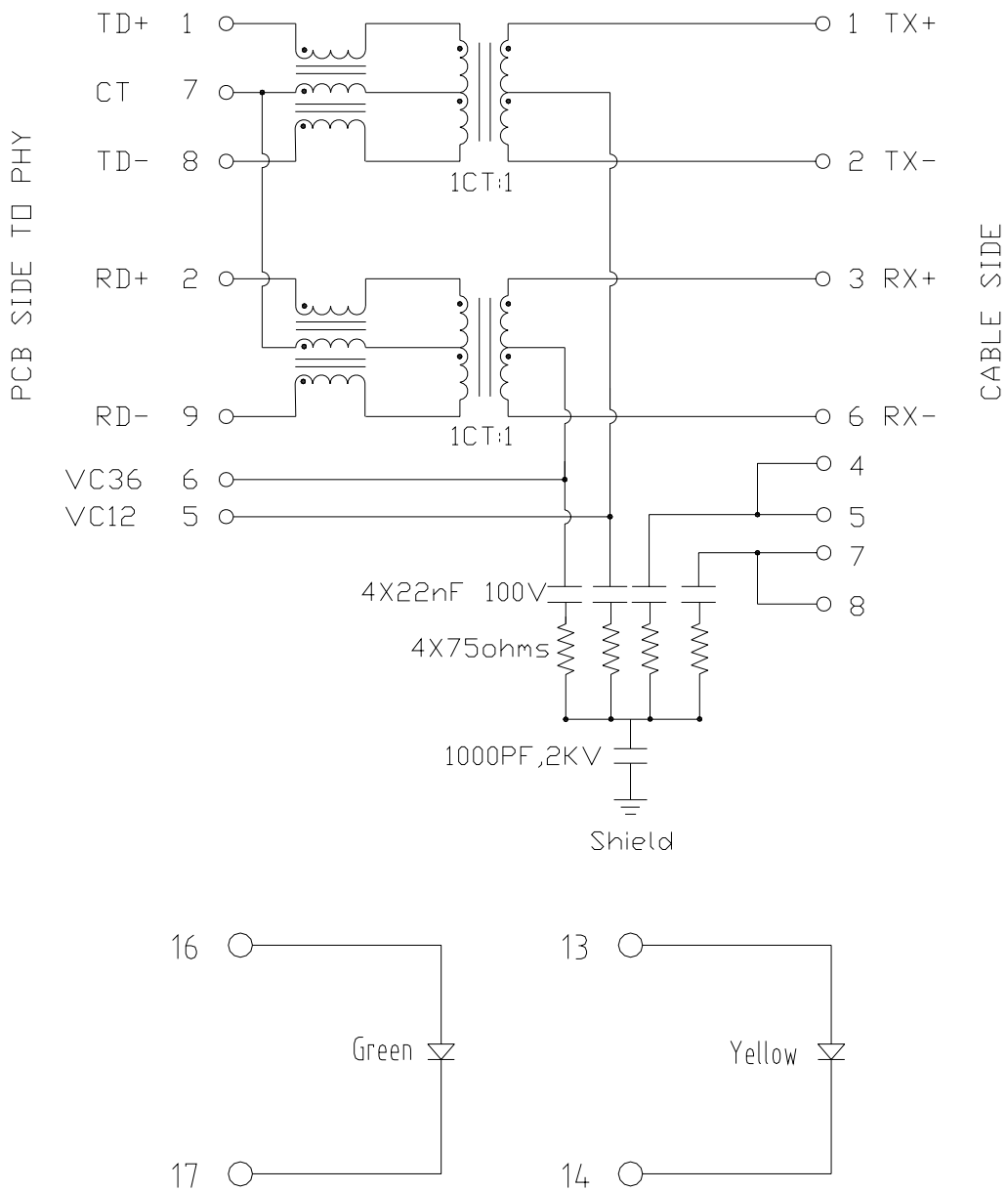


TEMP(°C):25

HUM(%):65 RH

REV:A

7. CIRCUIT SCHEMATIC



SPECIFICATION FOR APPROVAL

CUSTOMER PART NO.:

XMG- PART NO.: XMG-9771-AE51131-246

PRODUCT DESCRIPTION.: 10/100 Base-T RJ45, 1X1 TabDown w/Transformer w/LED w/POE



TEMP(°C):25

HUM(%):65 RH


REV:A

8. LED ELECTRICAL / OPTICAL CHARACTERISTICS:

Dice	Lens Type	Iv (mcd) @20 mA		Viewing Angle
		Min.	Typ.	
Yellow(Gap)	Yellow Diffused	3	6	2θ 1/2 100°
Green (Gap)	Green Diffused	3	6	100°

Parameter	Device	Typ.	Max.	Units	Test Conditions
Dominate Wavelength	Green	568 λ d	575 λ d	nm	IF=20mA
	Yellow	585 λ d	615 λ d	nm	IF=20mA
Forward Voltage	Green	2.2	2.5	v	IF=20mA
	Yellow	2.2	2.5	v	IF=20mA
Reverse Current	Green		10	uA	V _R =5V
	Yellow		10	uA	V _R =5V
Power Dissipation	Green		62.5	mW	V _R =5V
	Yellow		62.5	mW	V _R =5V

SPECIFICATION FOR APPROVAL

<p>CUSTOMER PART NO.:</p> <p>XMG- PART NO.: XMG-9771-AE51131-246</p> <p>PRODUCT DESCRIPTION.: 10/100 Base-T RJ45, 1X1 TabDown w/Transformer w/LED w/POE</p>		<p>TEMP(°C):25</p> <p>HUM(%):65 RH</p> <p>REV:A</p>
---	--	---

9. ELECTRICAL CHARACTERISTICS

9-1 Turn Ratio:

(P1-P8) : (J1-J2) 1CT:1CT(± 3%)

(P2-P9) : (J3-J6) 1CT:1CT(± 3%)

9-2 Primary Inductance:

P1-P8: 350µH Min. @100kHz,0.1Vrms,8mADC BIAS

P2-P9: 350µH Min. @100kHz,0.1Vrms,8mADC BIAS

9-3 DCR

J1-J2 ,J3-J6 1.2 Ohms Max

9-4 Hi-pot TEST:

INPUT TO OUTPUT : 1500Vrms

9-5 Insertion loss:

1MHZ~100MHz -1.1dB MAX.

9-6 Return loss: Load:100 ohms

1MHZ~30MHz -18dB MIN.

30MHZ~60MHz -18+20Log(F/30MHz)dB Min.

60MHz~80MHz -12dB MIN.

9-7 Cross Talk:

1MHZ ~40 MHz -35dB MIN.

40MHZ~100 MHz -33+20LOG(f/50)dB MIN.

9-8 CM to CM Rejection:

1MHZ~100 MHz -30dB MIN

9-9 Balanced DC Line Current 350 mA MAX. @ 57 VDC CONTINUOUS

500 mA MAX. @ 57 VDC FOR 200 MILLISECONDS

SPECIFICATION FOR APPROVAL

CUSTOMER PART NO.:

XMG- PART NO.: XMG-9771-AE51131-246

PRODUCT DESCRIPTION.: 10/100 Base-T RJ45, 1X1 TabDown w/Transformer w/LED w/POE

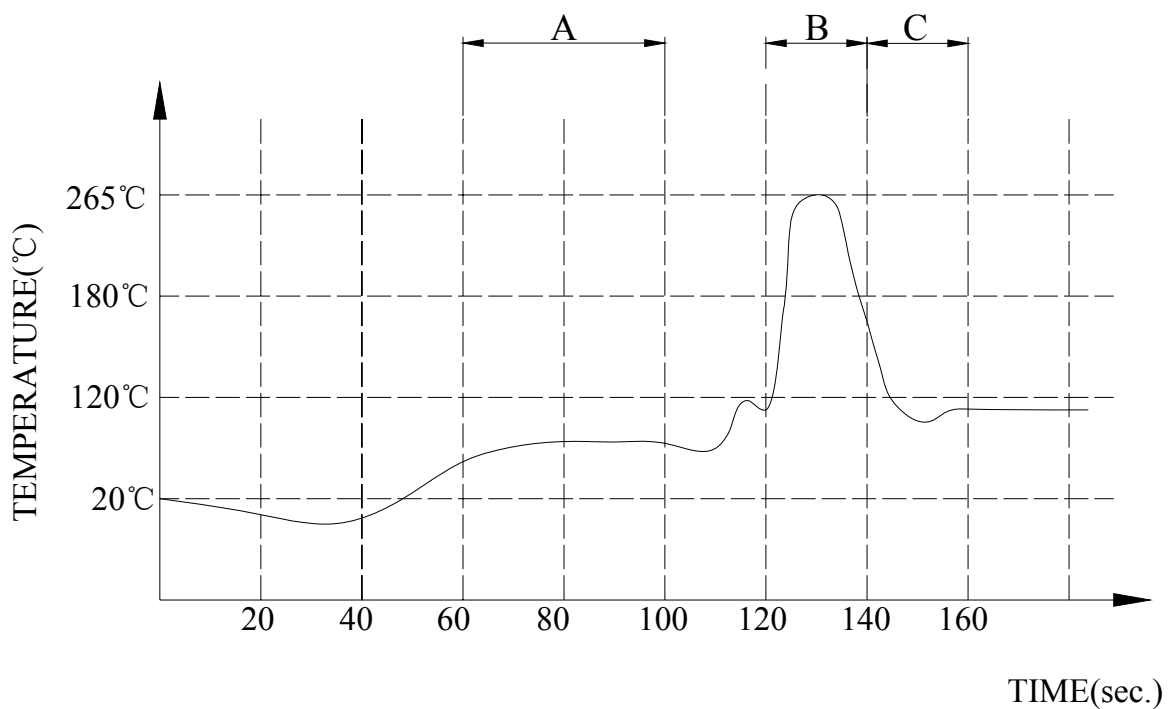


TEMP(°C):25

HUM(%):65 RH

REV:A

10. PROFILE OF WAVE SOLDER



———— PIN TEMPERATURE

----- COMPONENT TEMPERATURE

A:Preheating B:Soldering C:Gradual Cooling

Notes:

- (1) Tip temperature :260±5°C
- (2) Tip temperature time: 5sec. max
- (3) The melting point of tin : 219°C

SPECIFICATION FOR APPROVAL

CUSTOMER PART NO.:

XMG- PART NO.: XMG-9771-AE51131-246

PRODUCT DESCRIPTION.: 10/100 Base-T RJ45, 1X1 TabDown w/Transformer w/LED w/POE



TEMP(°C):25

HUM(%):65 RH

REV:A

11. PACKAGE

70 PCS/TRAY
490 PCS/INNER BOX
980 PCS/OUTER BOX

