



SPECIFICATION FOR APPROVAL

PART NO.: XMG-9771-F6611A2-356-CRS

PRODUCT DESCRIPTION.: 10/100/1000 Base-T RJ45,1X1 TabDwon w/Transformer &LED



REV:A

Xmultiple

MARKETING GROUP	R&D GROUP	QA GROUP
ISSUED BY	CHECKED BY	QA INSPECTION
Gino	De	Xulong

CUSTOMER: _____

CUSTOMER PART NO.: _____

SAMPLE Q'TY: _____

CUSTOMER

CUSTOMER APPROVAL:

APPROVAL

CONCESSIONARY

REJECTED

ISSUED BY	CHECKED BY	APPROVED BY

COMMENTS:

SPECIFICATION FOR APPROVAL

CUSTOMER PART NO.:

PART NO.: XMG-9771-F6611A2-356-CRS

PRODUCT DESCRIPTION.: 10/100/1000 Base-T RJ45,1X1 TabDwon w/Transformer &LED



TEMP(°C):25

HUM(%):65 RH

REV:A

CONTENT

	TOTAL	11	PAGES
1. COVER PAGE	PAGE	1	OF 11
2. CONTENT	PAGE	2	OF 11
3. REVISION CHANGE RECORD	PAGE	3	OF 11
4. SPECIFICATION AND PERFORMANCE	PAGE	4	OF 11
5. MECHANICAL DIMENSION AND LABEL	PAGE	5	OF 11
6. RECOMMENDED PCB LAYOUT	PAGE	6	OF 11
7. CIRCUIT SCHEMATIC	PAGE	7	OF 11
8. LED ELECTRICAL / OPTICAL CHARACTERISTICS	PAGE	8	OF 11
9. ELECTRICAL CHARACTERISTICS	PAGE	9	OF 11
10. PROFILE OF WAVE SOLDER	PAGE	10	OF 11
11. PACKAGE	PAGE	11	OF 11

SPECIFICATION FOR APPROVAL

CUSTOMER PART NO.:

PART NO.: XMG-9771-F6611A2-356-CRS

PRODUCT DESCRIPTION.: 10/100/1000 Base-T RJ45,1X1 TabDwon w/Transformer &LED



TEMP(°C):25


HUM(%):65 RH

REV:A

3. REVISION CHANGE RECORD

REV	Description	Drawn	Checked	Approved	Issue Date
A	Specification issued	Gino	Kingdun	De	2013/2/2

SPECIFICATION FOR APPROVAL

CUSTOMER PART NO.:		TEMP(°C):25
PART NO.: XMG-9771-F6611A2-356-CRS		HUM(%):65 RH
PRODUCT DESCRIPTION.: 10/100/1000 Base-T RJ45,1X1 TabDwon w/Transformer &LED		REV:A

4. SPECIFICATION AND PERFORMANCE

4-1 Scope

This specification covers the requirements for product performance, tests and quality assurance provisions for transformer jack

4-2 Applicable document

The following documents form a part of this specification to the extent specified herein. In the event of conflict between the requirements of this specification and the product drawing shall take precedence

4-3 Requirements

4-3-1 Design and construction

Product shall be of the design, construction and physical dimensions specified on the applicable product drawing
Complies with IEEE standards and all 10/100/1000 Ethernet

4-3-2 Materials and finish

Housing:	Glass filed polyester UL94V-0,Pantone Black
Contact:	Phosphor Bronze t=0.35mm FLAT PIN
Plating:	6U” gold plating over nickel
Shielded:	0.20mm thickness copper alloy with nickel plated
PCB retention fre-solder:	1LB min.
PCB retention post-solder:	10 LBS min.
Tails:	150U”~200U” Tin-Lead min. over 30U” ~50U” nickel(RoHS6)

4-3-3 Mechanical characteristics:

Durability:750(modular jack) insertion/plug dimension cycles at min. rate of 120 cycles per minute

4-3-4 Electrical

Contact resistance:	30 milliohms max.
Insulation resistance:	500 megohms min.@500 VDC.
Dielectric strength:	1500 VAC RMS 60Hz,1min.

4-3-5 Environmental:

Operating temperature:	0°C~+70°C
Storage temperature:	-40°C~+85°C

Mates with modular plug conforming to FCC pact 68 subpart F.

4-3-6 Applicable printed circuit board

The product is designed to meet the electrical, mechanical and environmental performance requirements specified in product drawing

4-3-7 RJ45 mod plug selective –this connector utilizes stopper which prevents the insertion of a RJ11 (6 POSTION) plug into the jack port ,while allowing a RJ45 (8 POSITION) plug to mate freely ;

Warning: this feature was developed for typical plug insertion forces ,excessive insertion force may overcome the selective features and damage the connector .

SPECIFICATION FOR APPROVAL

CUSTOMER PART NO.:

PART NO.: XMG-9771-F6611A2-356-CRS

PRODUCT DESCRIPTION.: 10/100/1000 Base-T RJ45, 1X1 TabDown w/Transformer & LED



TEMP(°C):25

HUM(%):65 RH

REV:A

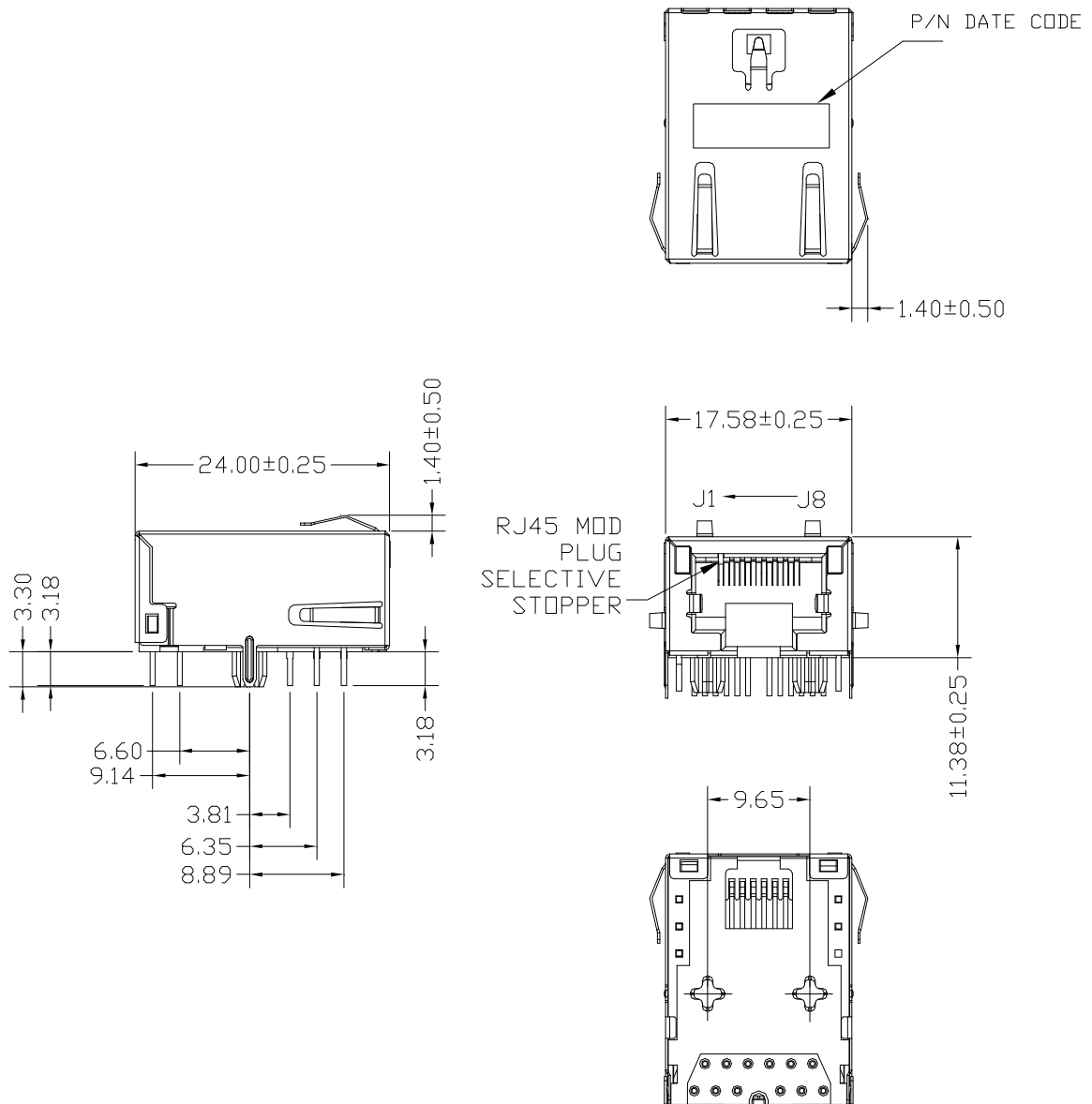
TOLERANCE(mm):

.0 ± 0.20

.00 ± 0.15

.000 ± 0.075

5. MECHANICAL DIMENSION AND LABEL



SPECIFICATION FOR APPROVAL

CUSTOMER PART NO.:

PART NO.: XMG-9771-F6611A2-356-CRS

PRODUCT DESCRIPTION.: 10/100/1000 Base-T RJ45,1X1 TabDwon w/Transformer &LED

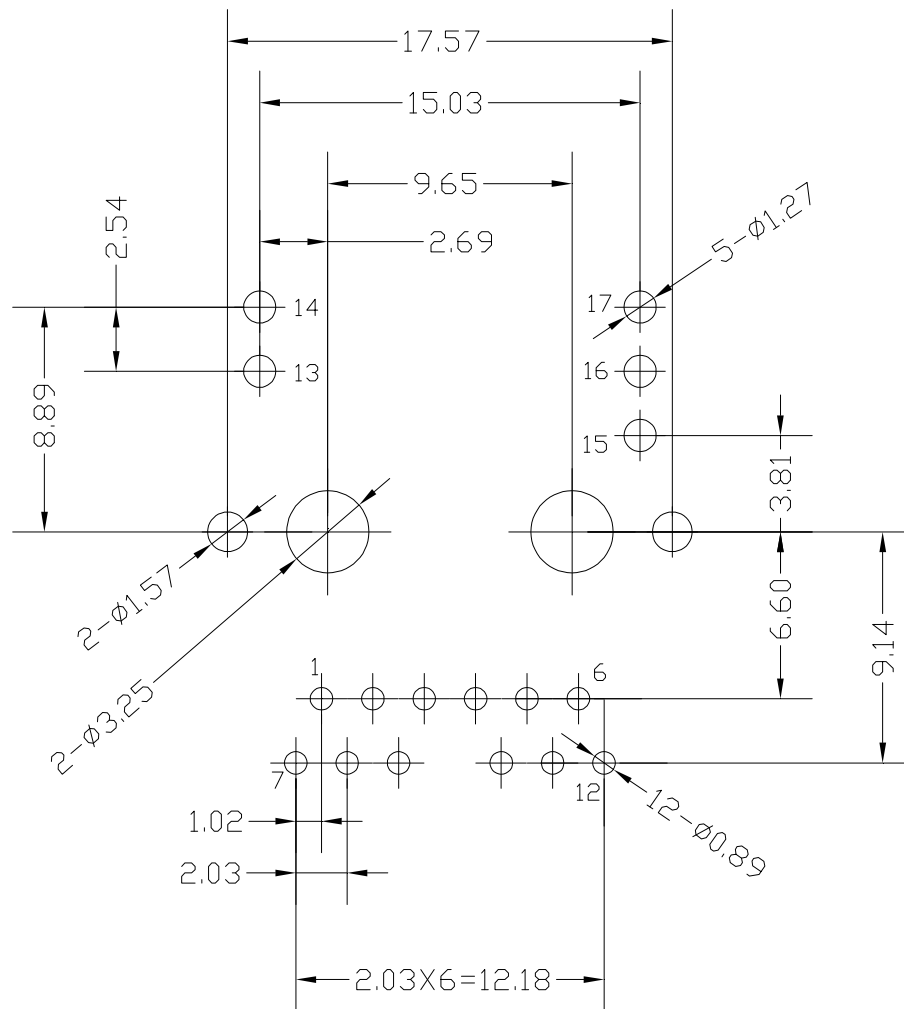


TEMP(°C):25

HUM(%):65 RH

REV:A

6. RECOMMENDED PCB LAYOUT: UNIT: (mm)



SPECIFICATION FOR APPROVAL

CUSTOMER PART NO.:

PART NO.: XMG-9771-F6611A2-356-CRS

PRODUCT DESCRIPTION.: 10/100/1000 Base-T RJ45,1X1 TabDwon w/Transformer &LED

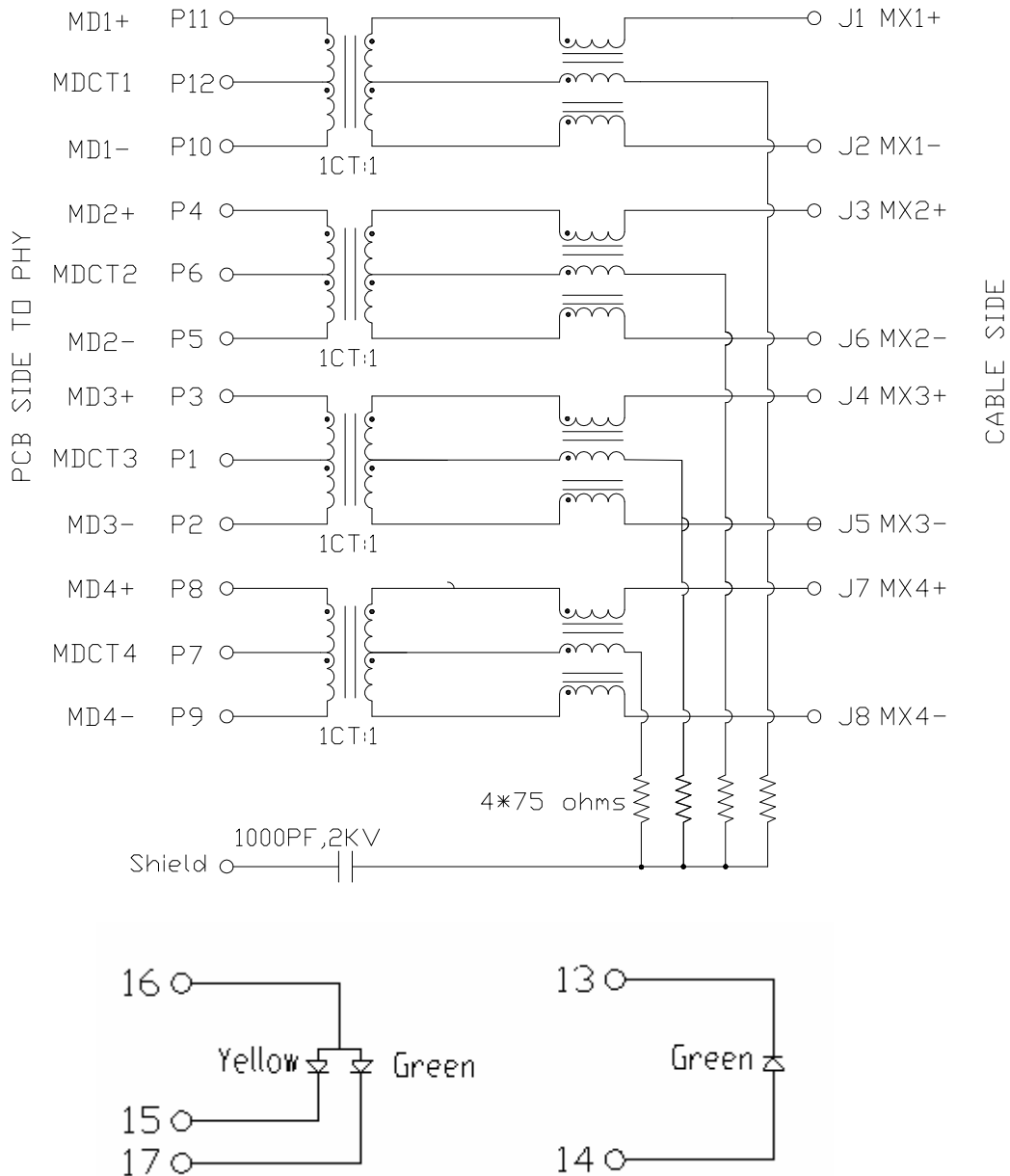


TEMP(°C):25

HUM(%):65 RH

REV:A

7. CIRCUIT SCHEMATIC



SPECIFICATION FOR APPROVAL

CUSTOMER PART NO.:

PART NO.: XMG-9771-F6611A2-356-CRS

PRODUCT DESCRIPTION.: 10/100/1000 Base-T RJ45,1X1 TabDwon w/Transformer &LED



TEMP(°C):25

HUM(%):65 RH

REV:A

8. LED ELECTRICAL / OPTICAL CHARACTERISTICS:

Dice	Lens Type	Iv (mcd) @20 Ma		Viewing Angle
		Min.	Typ.	2 θ 1/2
Pure Yellow (GaAsP/ Gap)	White Diffused	2.6	6	100°
Green (Gap)		5	10	100°
Yellow(Gap)	Yellow Diffused	3	6	

Parameter	Device	Typ.	Max.	Units	Test Conditions
Dominate Wavelength	Green	568 λ d	575 λ d	nm	IF=20Ma
	Pure Yellow	585 λ d	615 λ d	nm	IF=20Ma
	Yellow	585 λ d	615 λ d	nm	IF=20Ma
Forward Voltage	Green	2.2	2.5	v	IF=20Ma
	Pure Yellow	2.1	2.5	v	IF=20Ma
	Yellow	2.2	2.5	v	IF=20Ma
Reverse Current	Green		10	Ua	V _R =5V
	Pure Yellow		10	Ua	V _R =5V
	Yellow		10	Ua	V _R =5V
Power Dissipation	Green		62.5	Mw	V _R =5V
	Pure Yellow		75	Mw	V _R =5V
	Yellow		62.5	Mw	V _R =5V

SPECIFICATION FOR APPROVAL

CUSTOMER PART NO.:

PART NO.: XMG-9771-F6611A2-356-CRS

PRODUCT DESCRIPTION.: 10/100/1000 Base-T RJ45,1X1 TabDwon w/Transformer &LED



TEMP(°C):25

HUM(%):65 RH

REV:A

9. ELECTRICAL CHARACTERISTICS

9-1 Turn Ratio:

(P11-P10):(J1-J2) 1CT:1CT(±3%)

(P4-P5):(J3-J6) 1CT:1CT(±3%)

(P3-P2):(J4-J5) 1CT:1CT(±3%)

(P8-P9):(J7-J8) 1CT:1CT(±3%)

9-2 Primary Inductance: @100kHz,0.1Vrms,8mADC BIAS

P11-P10, P4-P5, P3-P2, P8-P9 : 350µH Min.

9-3 DCR test

(J1-J2), (J3-J6),(J4-J5),(J7-J8) 1.2 Ohms Max

9-4 Hi-POT TEST:

INPUT TO OUTPUT : 1500Vrms

9-5 Insertion Loss:	0.3MHZ~1MHz	-1.1dB MAX.
	1MHZ~65MHz	-0.8dB MAX.
	65MHZ~100MHz	-1.0dB MAX.
	100MHZ~125MHz	-1.2dB MAX.

9-6 Return Loss:	1MHZ~40 MHZ	-18dB MIN (Load:100 ohms)
	40MHZ~100 MHZ	-12+20LOG(f/80)dB MIN (Load:100 ohms)

9-7 CROSS TALK:	1MHZ~40 MHz	-35dB MIN.
	40MHZ~100 MHZ	-33+20LOG(f/50)dB MIN.

9-8 CM TO CM REJECTION:

1MHZ~100 MHz -30dB MIN.

SPECIFICATION FOR APPROVAL

CUSTOMER PART NO.:

PART NO.: XMG-9771-F6611A2-356-CRS

PRODUCT DESCRIPTION.: 10/100/1000 Base-T RJ45,1X1 TabDwon w/Transformer &LED

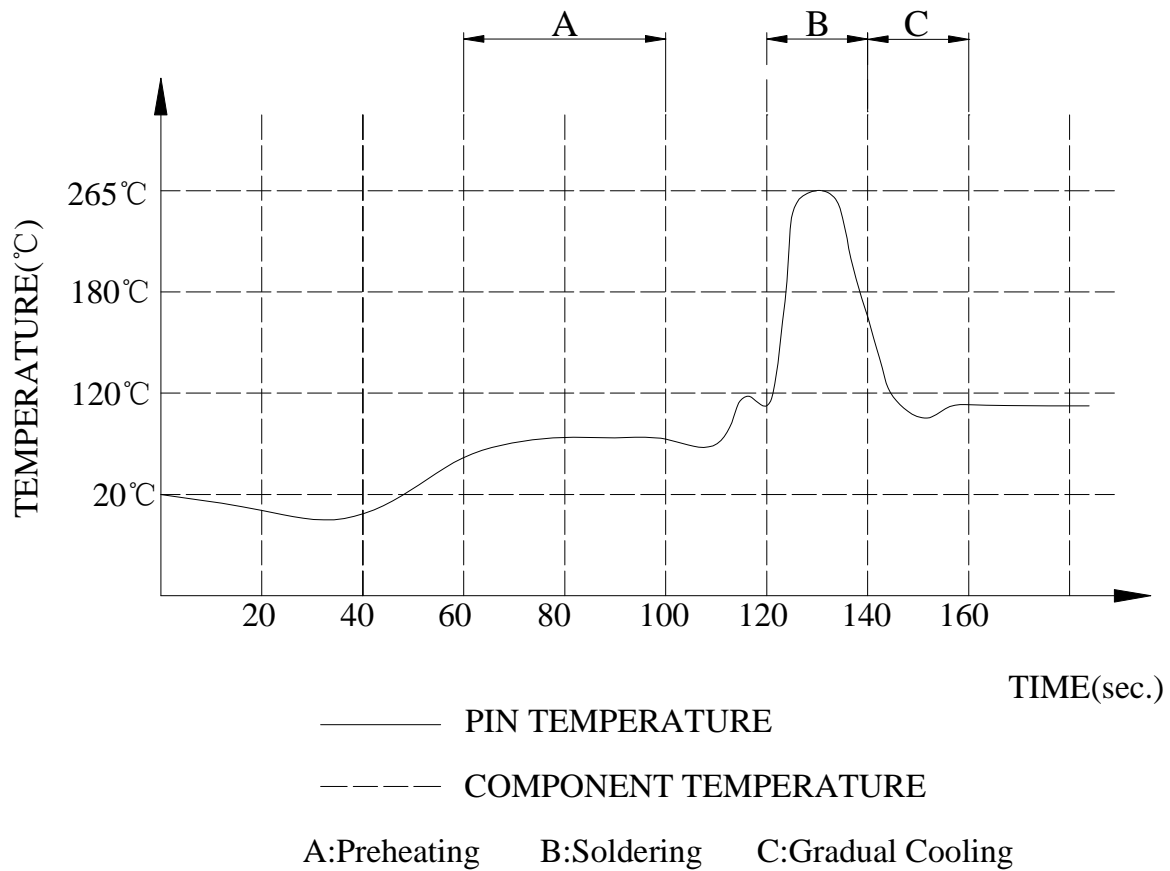


TEMP(°C):25

HUM(%):65 RH

REV:A

10. PROFILE OF WAVE SOLDER



Notes:

- (1) Tip temperature :260±5°C
- (2) Tip temperature time: 5sec. max
- (3) The melting point of tin : 219°C

SPECIFICATION FOR APPROVAL

CUSTOMER PART NO.:

PART NO.: XMG-9771-F6611A2-356-CRS

PRODUCT DESCRIPTION.: 10/100/1000 Base-T RJ45,1X1 TabDwon w/Transformer &LED



TEMP(°C):25

HUM(%):65 RH

REV:A

11. PACKAGE

70 PCS/TRAY
490 PCS/INNER BOX
980 PCS/OUTER BOX

