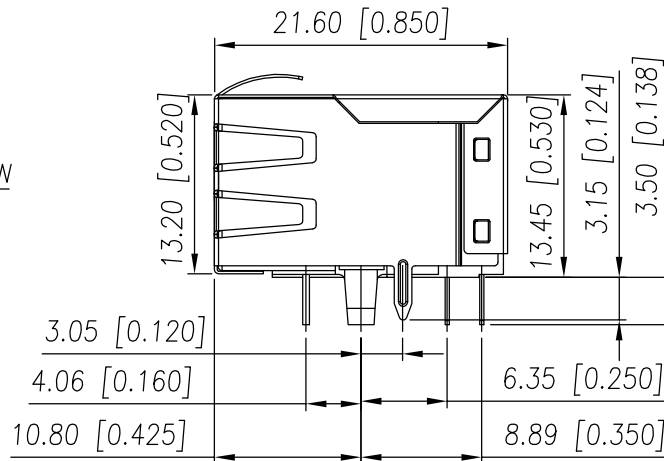
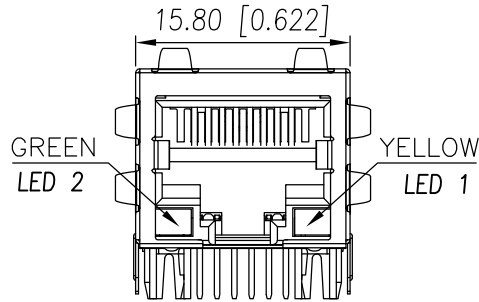
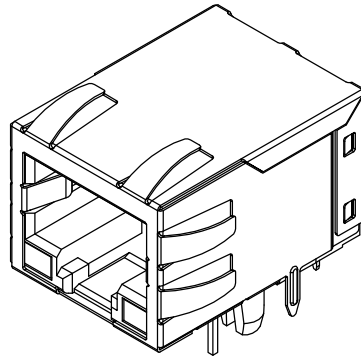
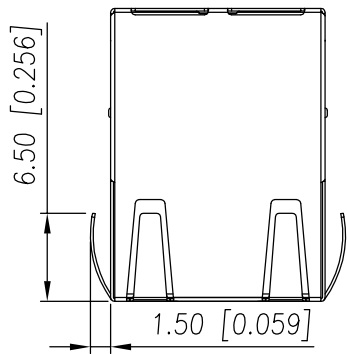
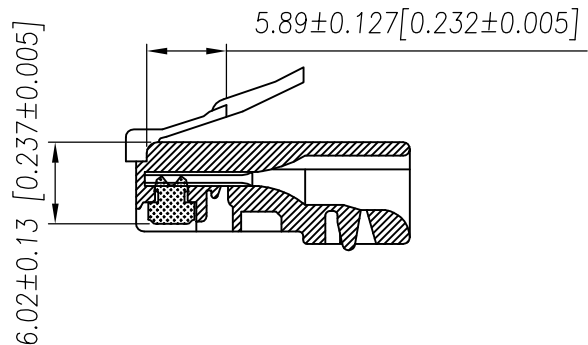


# 1. MECHANICAL DIMENSIONS :



## RECOMMENED PLUG DIMENSION:

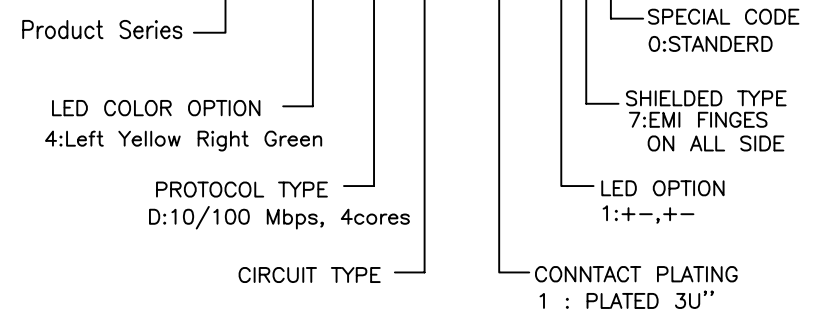


### NOTES:

1. MATERIALS:  
 HOUSING: PBT POLYESTER UL94V-0  
 MIXED GLASS FIBER.  
 STANDARD COLOR-BLACK.  
 CONTACTS: 0.35mm THICK PHOS-BRONZE PLATED  
 WITH 3u" GOLD IN CONTACT AREA AND TIN  
 IN SOLDER AREA, UNDERPLATED WITH NICKEL  
 IN ALL AREA.  
 SHIELD: 0.25mm THICK COPPER ALLOY,  
 PLATED WITH NICKEL.
2. OPERATING TEMPERATURE: 0°C~70°C
3. CAVITY CONFORMS TO FCC RULES AND REGULATIONS  
 PART 68, SUBPART F
4. UNSPECIFIED TOLERANCE: .XX ±0.25[0.010]  
 .X ±0.30[0.012]

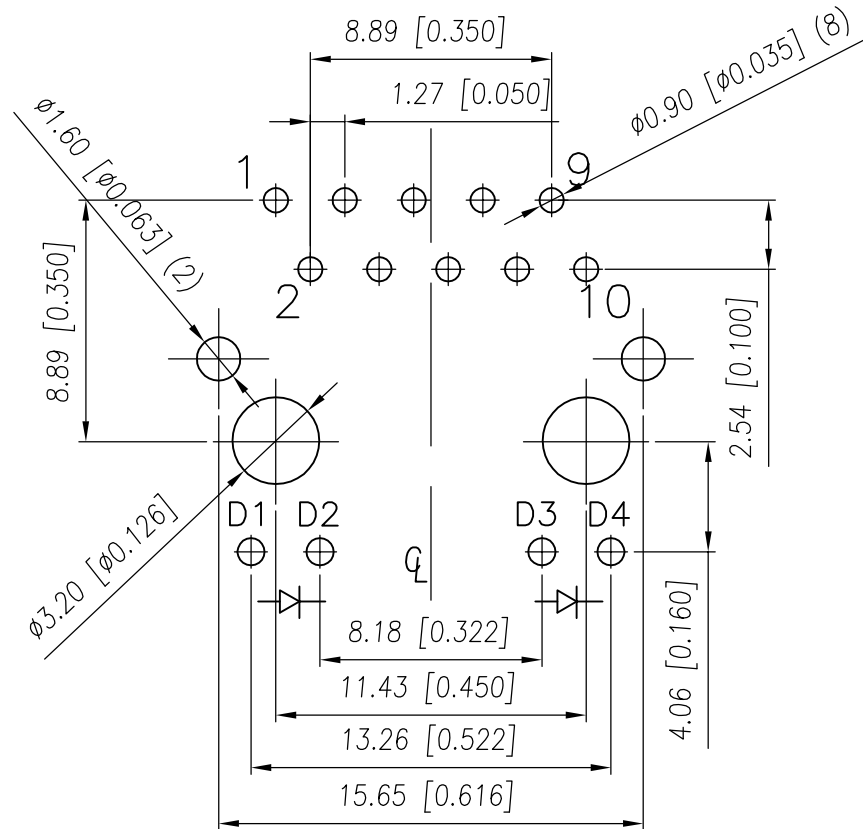
### PART NO:

XMG-RJG-4-D1M-1-170



|                       |        |            |            |                              |                     |
|-----------------------|--------|------------|------------|------------------------------|---------------------|
| TOLERANCE UNSPECIFIED |        | X MULTIPLE |            | CONNECTIN THE INFORMATIO AGF |                     |
| .0                    | ±0.25  |            |            |                              |                     |
| .00                   | ±0.13  | DRAWN BY   | Jim Wang   | SIZE: A4                     | UNIT: mm            |
| .000                  | ±0.10  | CHECKED BY | Ann Yang   | PART NO.                     | XMG-RJG-4-H32-1-170 |
| ANGLE                 | ±3.00° | DATE       | 2010.04.25 | SCALE: 1:1                   | PROJECTION          |
| MANUFACTURING COPY    |        |            |            |                              | ⊕                   |
|                       |        |            |            |                              | REV.: A0            |
|                       |        |            |            |                              | SHEET               |
|                       |        |            |            |                              | 1 OF 3              |

## 2. PCB LAYOUT



SUGGESTED PCB LAYOUT  
(TOP VIEW)

## 3. LED CONFIGURATION



| Color  | Lens Color      | Vf(v)<br>@20mA |     | Iv(mcd)<br>@10mA |     | Viewing angle |
|--------|-----------------|----------------|-----|------------------|-----|---------------|
|        |                 | Min            | Max | Min              | Typ |               |
| Green  | Yellow Diffused | 1.7            | 2.8 | 3.0              | 6.0 | 2θ 1/2        |
| Yellow | Green Diffused  | 1.7            | 2.8 | 3.5              | 6.0 | 116           |

### TOLERANCE UNSPECIFIED

|                    |        |
|--------------------|--------|
| .0                 | ±0.25  |
| .00                | ±0.13  |
| .000               | ±0.10  |
| ANGLE              | ±3.00° |
| MANUFACTURING COPY |        |

# X MULTIPLE



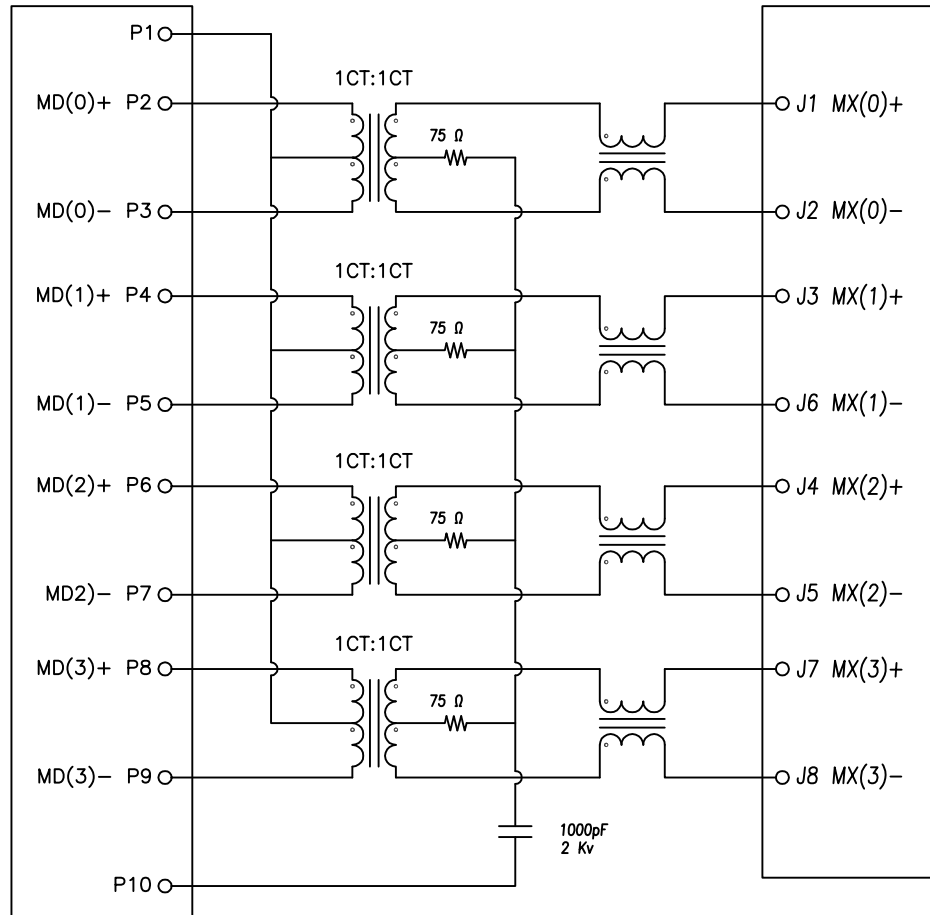
TITLE: RJ45 Connectors, W/LED, 10P, 8C,Shielded/Thru Hole/100/1000Mbps FILTER

|            |            |            |               |          |                     |  |
|------------|------------|------------|---------------|----------|---------------------|--|
| DRAWN BY   | Jim Wang   | SIZE: A4   | UNIT: mm      | PART NO. | XMG-RJG-4-H32-1-170 |  |
| CHECKED BY | Ann Yang   | SCALE: 1:1 | PROJECTION    |          | REV.: A0            |  |
| DATE       | 2010.04.25 | DWG NO.    | LK-RJ-WST-053 | SHEET    | 2 OF 3              |  |

## 4. SCHMATIC :

CONNECTOR SOLDER SIDE

RJ45 CONTACT SIDE



## 5. ELECTRICAL CHARACTERISTICS :

TEST NOTES:(25°±5°C)

- TR:(100KHz,0.1V); 100%  
PINS:(P2,P3):(J1,J2)=1:1±3%;(P4,P5):(J3,J6)=1:1±3%  
PINS:(P6,P7):(J4,J5)=1:1±3%;(P8,P9):(J7,J8)=1:1±3%
- LX:(100KHz,100mV,8mA, DC Bias) 100%  
PINS:(P2,P3),(P4,P5),(P6,P7),(P8,P9)=350uH MINIMUM
- DCR: 100%  
PINS:(J1,J2),(J3,J6),(J4,J5),(J7,J8)=1.2 MAXIMUM
- HIPOT: 100%  
PINS(P2,P3)TO(J1,J2),(P4,P5)TO(J3,J6)=1500VAC FOR 60 SECONDS  
PINS(P6,P7)TO(J4,J5),(P8,P9)TO(J7,J8)=1500VAC FOR 60 SECONDS
- INSERTION LOSS:  
-0.8dB MAXIMUM AT 0.3MHz TO 100MHz;  
-1.2dB MAXIMUM AT 100MHz TO 120MHz
- RETURN LOSS:  
-18dB MINIMUM AT 0.5MHz TO 40MHz;  
-12+20Log(f/80MHz)dB MINIMUM AT 40MHz TO 100MHz
- CROSS TALK:  
-33+20Log(f/100MHz)dB MINIMUM AT 0.1MHz TO 100MHz
- COMMON TO DIFFERENTIAL MODE REJECTION:  
-35dB MINIMUM AT 300KHz TO 100MHz
- COMMON TO COMMON MODE REJECTION:  
-30dB MINIMUM AT 300KHz TO 100MHz

TOLERANCE UNSPECIFIED

|                    |        |
|--------------------|--------|
| .0                 | ±0.25  |
| .00                | ±0.13  |
| .000               | ±0.10  |
| ANGLE              | ±3.00° |
| MANUFACTURING COPY |        |

**X** MULTIPLE

CONNECTIN  
THE INFORMATIO  
AGF

TITLE: RJ45 Connectors, W/LED, 10P, 8C,Shielded/Thru  
Hole/100/1000Mbps FILTER

|            |            |            |               |          |                     |  |
|------------|------------|------------|---------------|----------|---------------------|--|
| DRAWN BY   | Jim Wang   | SIZE: A4   | UNIT: mm      | PART NO. | XMG-RJG-4-H32-1-170 |  |
| CHECKED BY | Ann Yang   | SCALE: 1:1 | PROJECTION    |          | REV.: A0            |  |
| DATE       | 2010.04.25 | DWG NO.    | LK-RJ-WST-053 | SHEET    | 3 OF 3              |  |