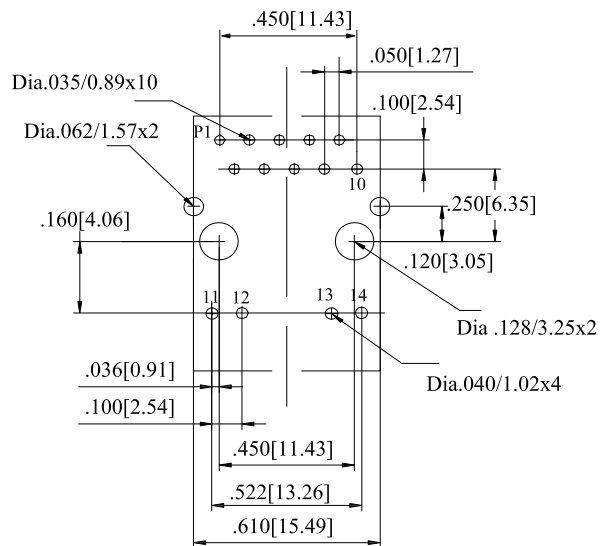
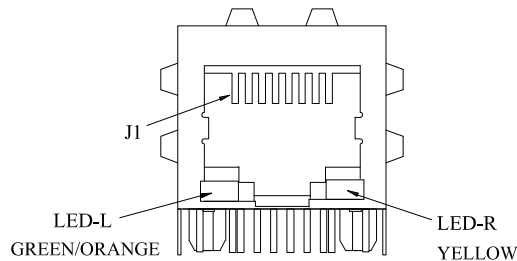
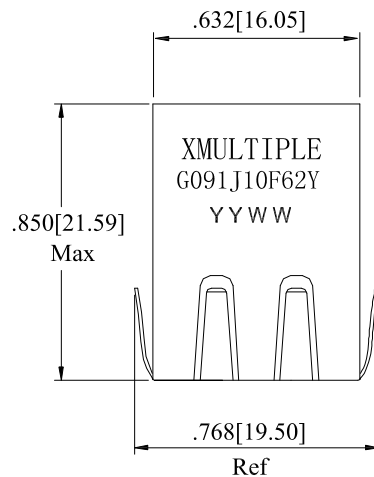
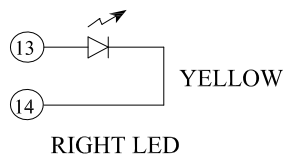
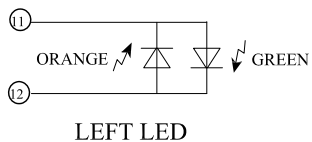


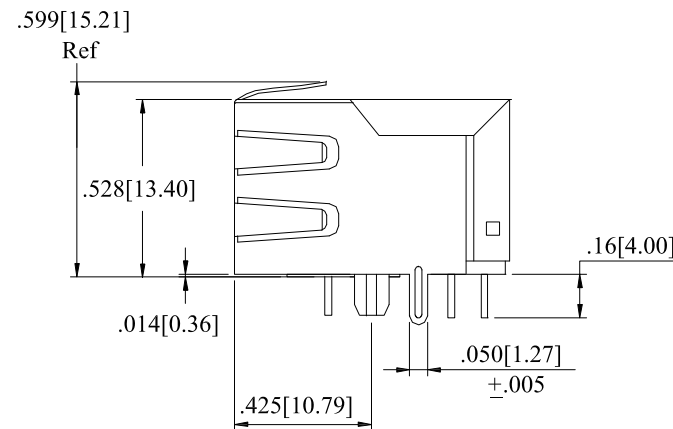
MECHANICAL DIMENSIONS :



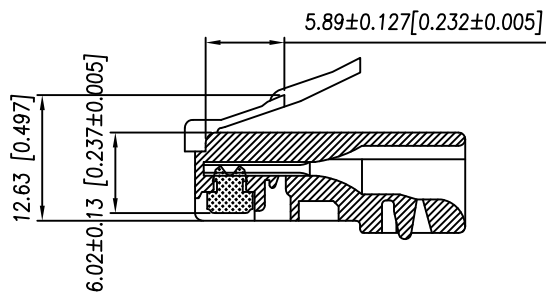
Suggested PCB Layout(Component side view)



PART NO:
XMG-RMS-091J-10F6-2Y



RECOMMENED PLUG DIMENSION:



TOLERANCE UNSPECIFIED	
.0	±0.38
.00	±0.25
.000	±0.10
ANGLE	±3.00°
MANUFACTURING COPY	

RoHS Compliant

X MULTIPLE		CONNECTING THE INFORMATION AGE	
Xmultiple Technologies, Inc. 1060 Los Angeles Avenue Simi Valley, CA 93065		G/NO:	
THIS DRAWING IS A CONTROLLED DOCUMENT.		DWG NO: XMG-RMS-091J-10F6-2Y	
TITLE: RJ45 Connectors, With LED, Shielded, Thru Hole, 10/100/1000Mbps Filter		DRAWN: MIN DING	
PART NO: XMG-RMS-091J-10F6-2Y		CHKD: Michael	
UNIT mm[inch]		SHEET 2 of 1	REV 01
DATE: 2012/9/14			

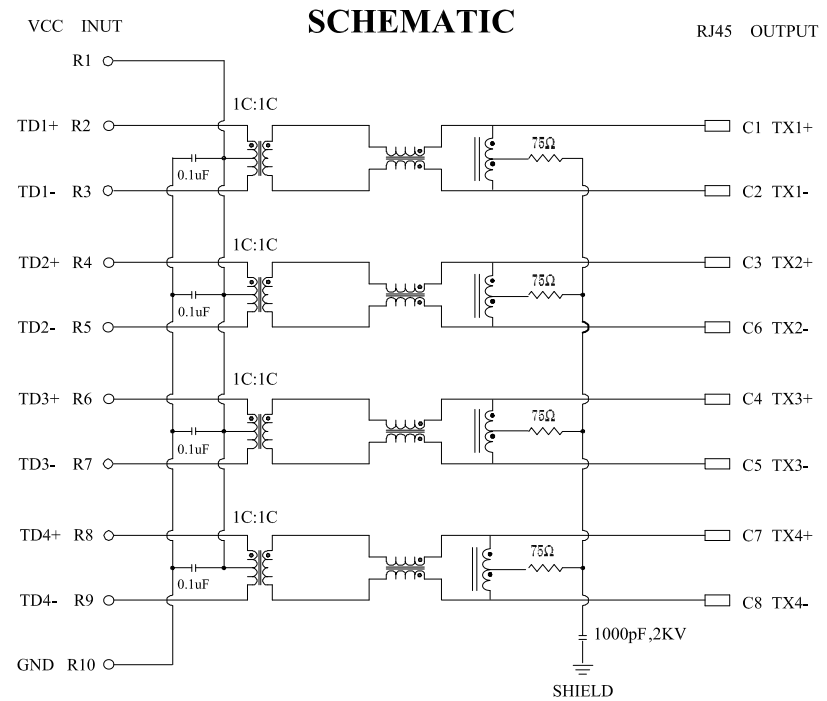
ELECTRICAL CHARACTERISTICS :

- . Complies with IEEE standards and all Gigabit specifications including 350uH with 8mA DC bias
- . Intergrated Mag-modular design provides higher reliability and conserves minimizing PCB space
- . Housing: Thermoplastic PBT+30%GF UL94V0 rated
- . Contact :Phosphor Bronze C5191,Thickness=0.35mm plated Nickel 30u" Min, Gold plated on content area 6u" Min
- . Input Terminal : Brass ,Thickness=0.35mm
Finish : 120m' min Tin over 50m' min Nickel
- . Metal shielding: Copper alloy with Nickel plated(C2680),
Thickness=0.20mm Ni 30u" Min
- . Different color of LEDs option available
- . Operating temperature:0 °C to +70°C
- . Storage temperature: -40 °C to +85°C

Electrical Specifications: (25°C)

1. Turns Ratio: @50KHz,0.1V: 1 : 1 ; 0.5%	4. Common Mode Rejection: @1~100MHz: -30dB Min @200MHz: -20dB Min
2. Insertion Loss: @1~80MHz : -1.0dB Max @ 100MHz:-1.2dB Max	5. Crosstalk: @1~100MHz : -35dB Min
3. Return Loss: @1~30MHz : -20dB Min @ 60~80MHz : -12dB Min	6. OCL: @100KHz, 0.1V 8mADC : 350uH Min
	7. Hi-Pot : 1500V AC, 1mA, 1Sec

TOLERANCE UNSPECIFIED	
.0	±0.38
.00	±0.25
.000	±0.10
ANGLE	±3.00°
MANUFACTURING	COPY



RoHS Compliant

X MULTIPLE		CONNECTING THE INFORMATION AGE	
Xmultiple Technologies, Inc.1060 Los Angeles Avenue Simi Valley, CA 93065		G/NO:	
THIS DRAWING IS A CONTROLLED DOCUMENT.		DWG NO: XMG-RMS-091J-10F6-2Y	
TITLE: RJ45 Connectors, With LED,Shielded,Thru Hole, 10/100/1000Mbps Filter		DRAWN: MIN DING	
PART NO: XMG-RMS-091J-10F6-2Y		CHKD: Michael	
		UNIT	SHEET
mm[inch]		2 of 2	REV
		01	DATE: 2012/9/14