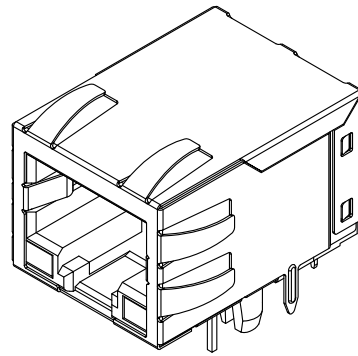
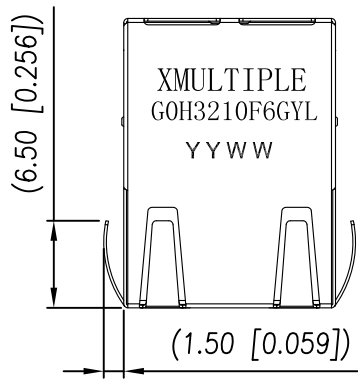
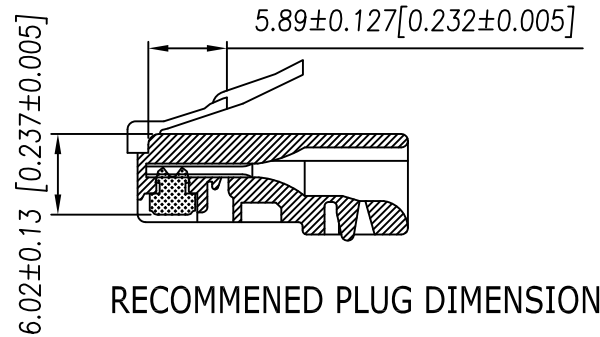
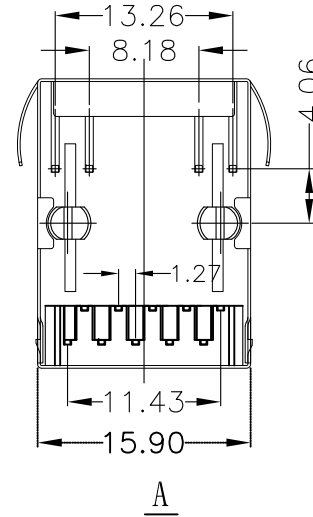
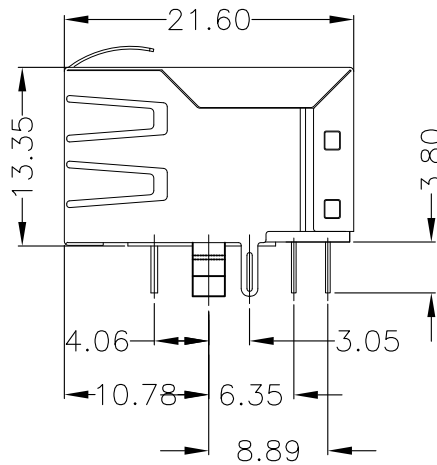
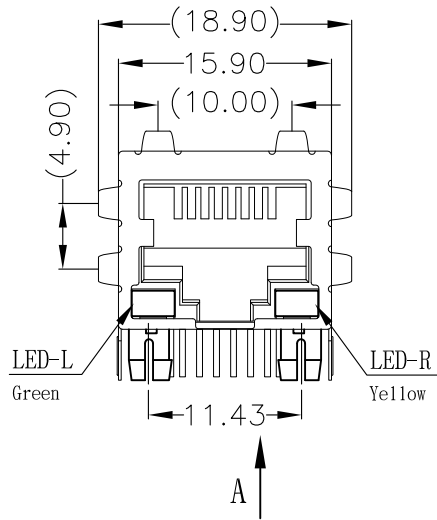


MECHANICAL DIMENSIONS :



PART NO:

XMG-RMS-OH32-10F6-GY-L



RECOMMENED PLUG DIMENSION

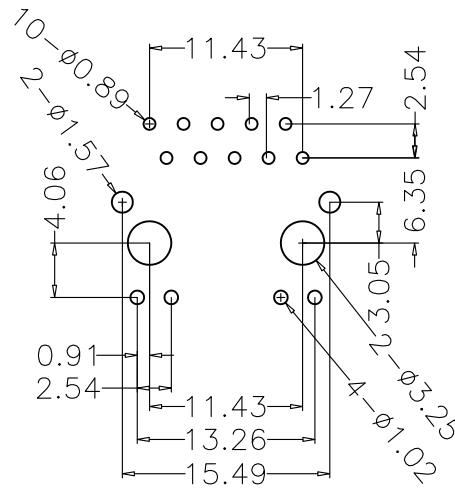
TOLERANCE UNSPECIFIED	
.0	±0.38
.00	±0.25
.000	±0.10
ANGLE	±3.00°
MANUFACTURING COPY	

RoHS Compliant

XMULTIPLE			CONNECTING THE INFORMATION AGE	
Xmultiple Technologies, Inc. 1060 Los Angeles Avenue Simi Valley, CA 93065			G/NO:	
THIS DRAWING IS A CONTROLLED DOCUMENT.			DWG NO: XMG-RMS-OH32-10F6-GY-L	
TITLE: RJ45 Connectors, With LED, Shielded/Thru Hole/10/100/1000M Mbps /FILTER			DRAWN: MIN DING	
PART NO: XMG-RMS-OH32-10F6-GY-L			CHKD: Michael Lin	
		UNIT	SHEET	REV
		mm[inch]	2 of 1	01
				DATE: 2012/10/08

Feature:

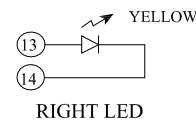
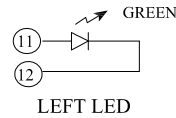
- Complies with IEEE standards and all Gigabit specifications including 350uH with 8mA DC bias
- Intergrated Mag-modular design provides higher reliability and conserves minimizing PCB space
- Housing: Thermoplastic Nylon UL94V0 rated
- Contact :Phosphor Bronze C5191,Thickness=0.35mm plated Nickel 30u" Min, Gold plated on content area 30u" Min
- Input Terminal : Brass ,Thickness=0.35mm
Finish : 120m' min Tin over 50m' min Nickel
- Metal shielding: Copper alloy with Nickel plated(C2680), Thickness=0.20mm Ni 30u" Min
- Different color of LEDs option available
- Operating temperature:0 °C to +70°C
- Storage temperature: -40 °C to +85°C



Suggested PCB Layout(Component side view)
Tolerance: ±0.05

Electrical Specifications: (25°C)

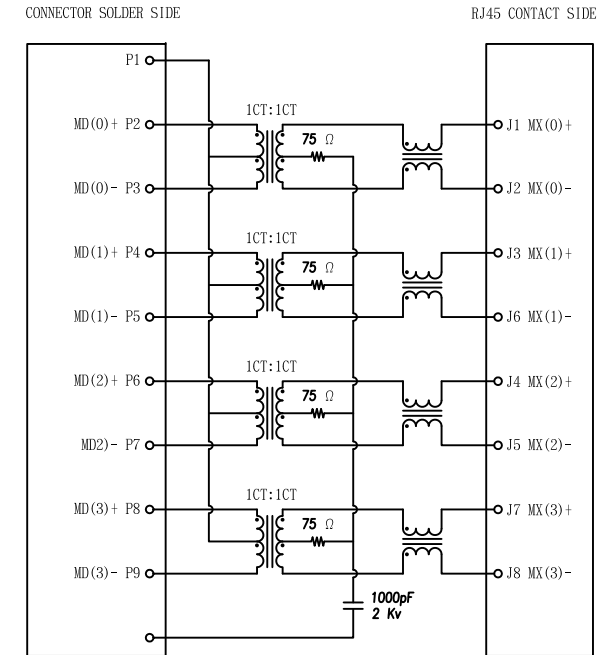
1. Turns Ratio: @50KHz,0.1V: 1 : 1 ; ±5%	4. Common Mode Rejection: @1~100MHz: -30dB Min
2. Insertion Loss: @1~80MHz : -1.0dB Max @ 100MHz:-1.2dB Max	5. Crosstalk: @1~100MHz : -35dB Min
3. Return Loss: @1~30MHz : -20dB Min @ 60~80MHz : -12dB Min	6. OCL: @100KHz, 0.1V 8mADC : 350uH Min
	7. Hi-Pot : 1200V AC, 1mA, 1Sec



TOLERANCE UNSPECIFIED

.0	±0.38
.00	±0.25
.000	±0.10
ANGLE	±3.00°
MANUFACTURING COPY	

Schematic:



RoHS Compliant

X MULTIPLE		CONNECTING THE INFORMATION AGE	
Xmultiple Technologies, Inc.1060 Los Angeles Avenue Simi Valley, CA 93065		G/NO:	
THIS DRAWING IS A CONTROLLED DOCUMENT.		DWG NO: XMG-RMS-OH32-10FG-GY-L	
TITLE: RJ45 Connectors, With LED, Shielded/Thru Hole/10/100/1000M Mbps /FILTER		DRAWN: MIN DING	
PART NO: XMG-RMS-OH32-10FG-GY-L		CHKD: Michael Lin	
UNIT mm[inch]		SHEET 2 of 2	
DATE: 2012/10/08		REV 01	