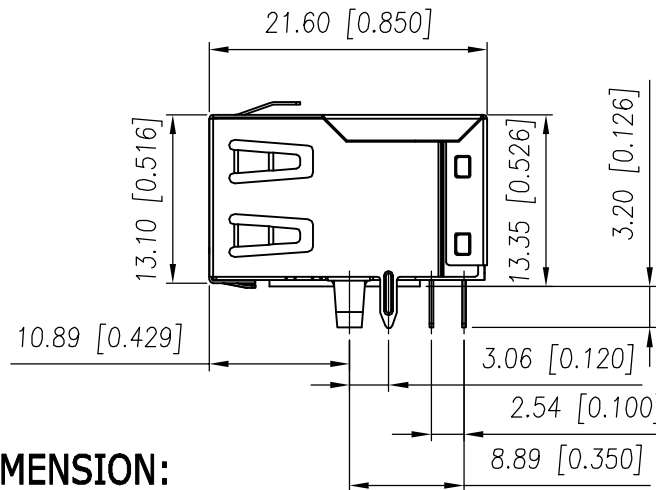
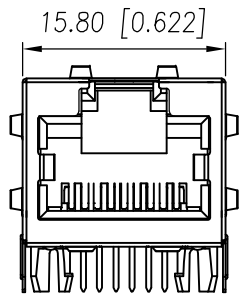
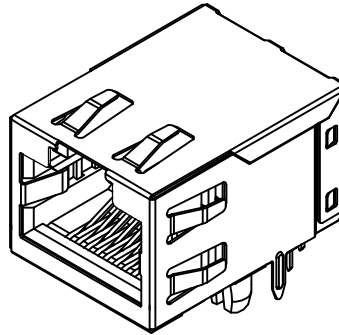
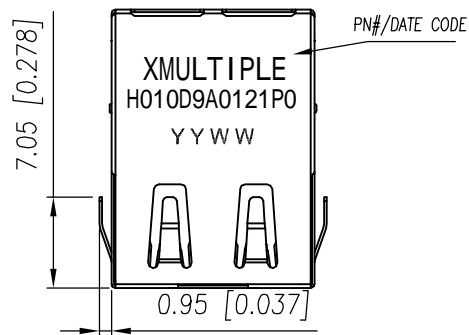
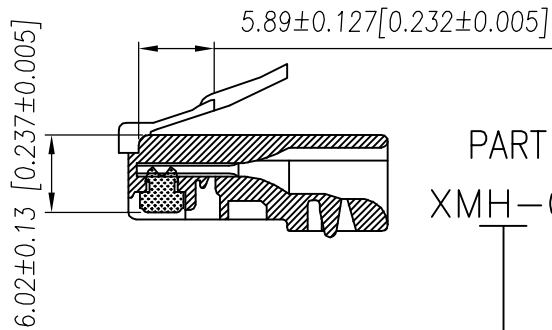


# 1. MECHANICAL DIMENSIONS :



## RECOMMENED PLUG DIMENSION:



PART NO:  
**XMH-01-0-D9A-012-1P0-ABB**

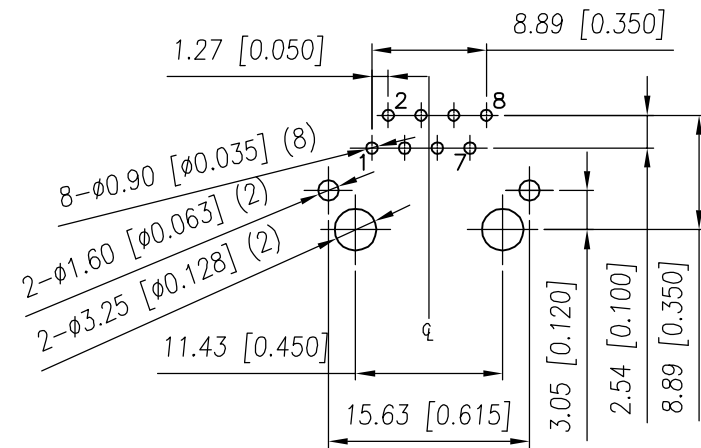
2:W/O LED  
 CIRCUIT TYPE  
 PROTOCOL TYPE  
 D : 10/100 Mbps

N : TAB UP AND STACKED WITHOUT LED

## NOTES:

- MATERIALS:  
 HOUSING: HIGH TEMPERATURE PBT UL94V-0 BLACK  
 CONTACTS: T=0.30PHOSPHOR BORNZE, NICKEL UNDERPLATE ON ALL AREA, TIN ON TERMINATION END, HARD GOLD ON CONTACT AREA.  
 SHIELD: BRASS T=0.20mm,NICKEL 50u" MIN PLATING.
- JACK CAVITY CONFORMS TO FCC RULES AND REGULATIONS PART 68, SUBPART F

## 2. PCB LAYOUT



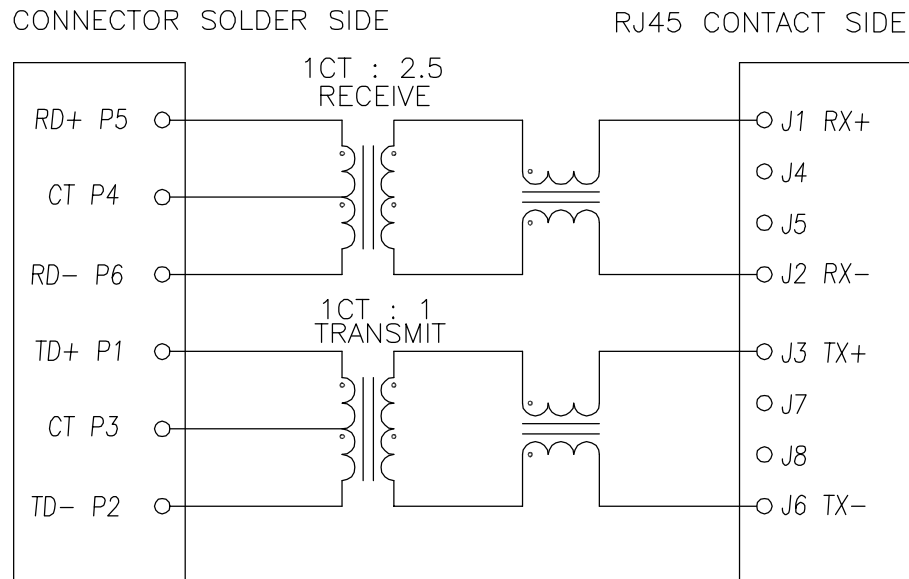
SUGGESTED PCB LAYOUT  
 (TOP VIEW)

DIMENSIONAL TOLERANCE: .XX ±0.05[0.001]

# RoHS Compliant

|  |        |     |                                      |
|--|--------|-----|--------------------------------------|
| <b>XMULTIPLE</b>   |        |     | CONNECTING<br>THE INFORMATION<br>AGE |
| Xmultiple Technologies, Inc.1060 Los Angeles Avenue Simi Valley, CA 93065  |        |     | G/NO:                                |
| THIS DRAWING IS A CONTROLLED DOCUMENT.                                     |        |     | DWG NO:<br>XMH-01-0-DM-012-1P0-ABB   |
| TITLE: RJ45 Connectors, W/O LED,<br>Shielded/Thru Hole/10/100 Mbps /FILTER |        |     | DRAWN:<br>Ivy Li                     |
| PART NO: XMH-01-0-D9A-012-1P0-ABB  |        |     | CHKD:<br>Michael                     |
| UNIT   | SHEET  | REV | DATE:                                |
| mm[inch ]  | 1 of 2 | 01  | 2012/04/14                           |

### 3. SCHMATIC :



### 4. ELECTRICAL CHARACTERISTICS :

TEST NOTES:(25±5°C)

1.TR:(100KHz,0.1V);

PINS:(P5-P6):(J1-J2)=1:2.5±3%

PINS:(P1-P2):(J3-J6)=1:1±3%

2.LX:(100KHz,100mV,8mA, DC Bias)

PINS: (P5,P6),(P1,P2)=140uH MINIMUM

3.DCR:

PINS:(J1-J2),(J3-J6)= 1.2 OHMS MAXIMUM

4.HIPOT:

PINS(P5,P4,P6)TO(J1,J2)=1500VAC FOR 60 SECONDS

PINS(P1,P3,P2)TO(J3,J6)=1500VAC FOR 60 SECONDS

5.INSERTION LOSS:

-1.0dB MAXIMUM AT 0.3MHz TO 100MHz;

6.RETURN LOSS:

-20dB MINIMUM AT 1MHz TO 30MHz;

-15dB MINIMUM AT 30MHz TO 60MHz

-10dB MINIMUM AT 60MHz TO 80MHz

7.CROSS TALK:

-30dB MINIMUM AT 1MHz TO 100MHz

8.COMMON TO COMMON MODE REJECTION:

-30dB MINIMUM AT 1MHz TO 100MHz

# RoHS Compliant

|  |  |        |                                      |                                     |
|--|--|--------|--------------------------------------|-------------------------------------|
| X MULTIPLE   |  |        | CONNECTING<br>THE INFORMATION<br>AGE |                                     |
| Xmultiple Technologies, Inc.1060 Los Angeles Avenue Simi Valley, CA 93065  |  |        |                                      | G/NO:                               |
| THIS DRAWING IS A CONTROLLED DOCUMENT.                                     |  |        |                                      | DWG NO:<br>XMH-01-0-D9A-012-1P0-ABB |
| TITLE: RJ45 Connectors, W/O LED,<br>Shielded/Thru Hole/10/100 Mbps /FILTER |  |        |                                      | DRAWN:<br>Ivy Li                    |
| PART NO: XMH-01-0-D9A-012-1P0-ABB  |  |        |                                      | CHKD:<br>Michael                    |
| UNIT   |  | SHEET  |                                      | REV                                 |
| mm[inch ]  |  | 2 of 2 |                                      | 01                                  |
| DATE:  |  |        |                                      | 2012/04/14                          |