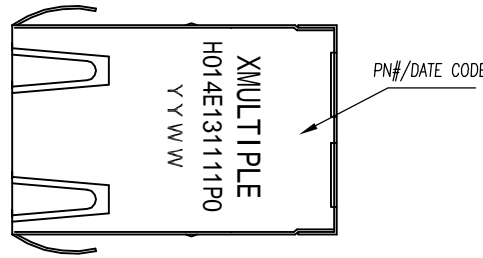
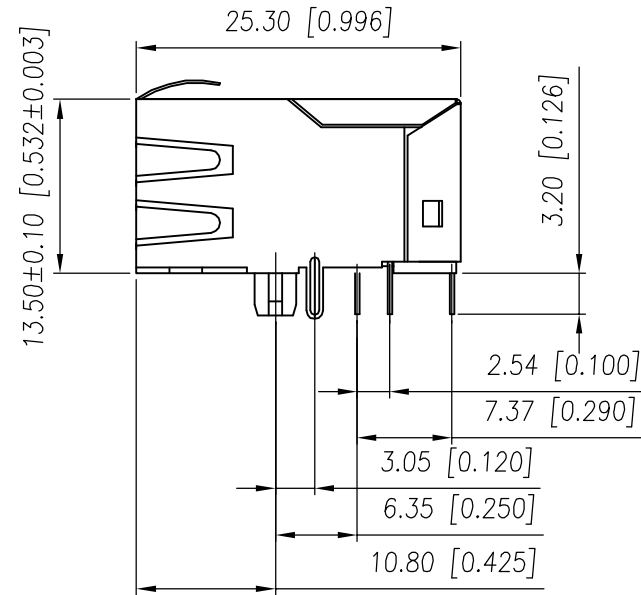
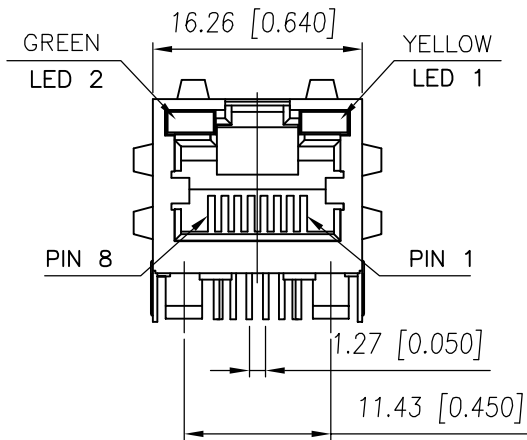


# 1. MECHANICAL DIMENSIONS :

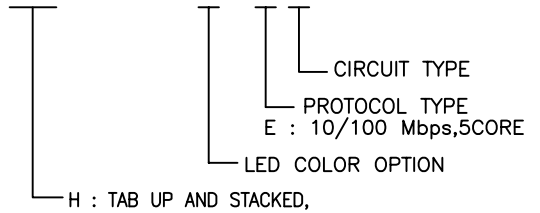


## NOTES:

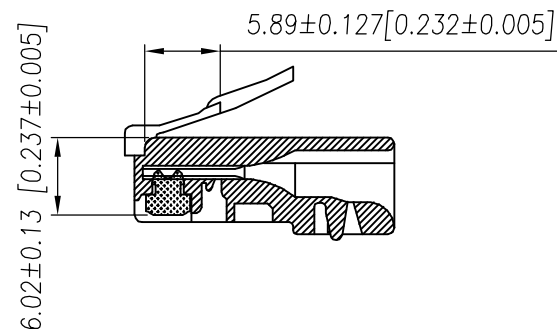
- MATERIAL:
  - HOUSING - PBT POLYESTER UL94V-0 MIXED GLASS FIBER. STANDARD COLOR - BLACK
  - CONTACTS - 0.35mm THICK PHOS-BRONZE PLATED WITH 6u" GOLD IN CONTACT AREA, TIN IN SOLDER AREA, AND UNDERPLATED NICKEL IN ALL AREA.
  - SHIELD - 0.20mm THICK COPPER ALLOY, PLATED WITH NICKEL.
- OPERATING TEMPERATURE : 0°C~70°C
- CAVITY CONFORMS TO FCC RULES AND REGULATIONS PART 68, SUBPART F.

## PART NO:

**XMH-01-4-E13-111-1P0-SA1**



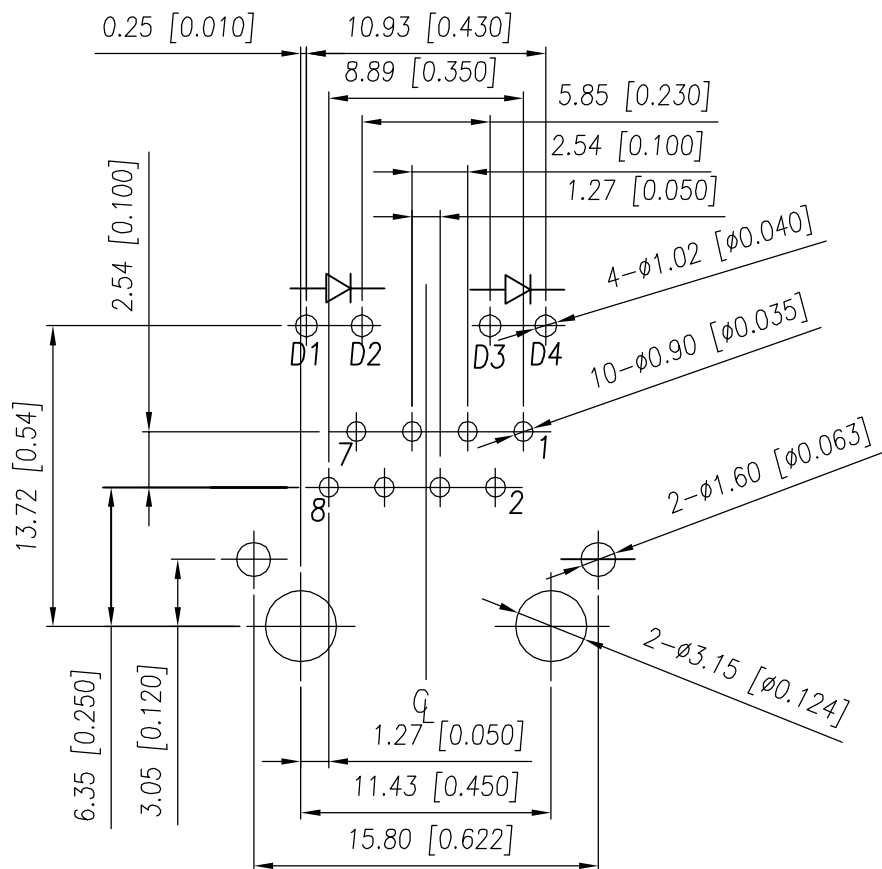
## RECOMMENED PLUG DIMENSION:



# RoHS Compliant

<b>XMULTIPLE</b>			CONNECTING THE INFORMATION AGE		
Xmultiple Technologies, Inc. 1060 Los Angeles Avenue Simi Valley, CA 93065			G/NO:		
THIS DRAWING IS A CONTROLLED DOCUMENT.			DWG NO: XMH-01-4-E13-111-1P0-SA1		
TITLE: SINGLE PORT, RJ45, SHIELDED, WITH LED WITH TRANSFORMER,			DRAWN: Ivy Li		
PART NO: XMH-01-4-E13-111-1P0-SA1			CHKD: Michael		
		UNIT	SHEET	REV	DATE:
mm[inch ]		1 of 3	01	2012/02/29	

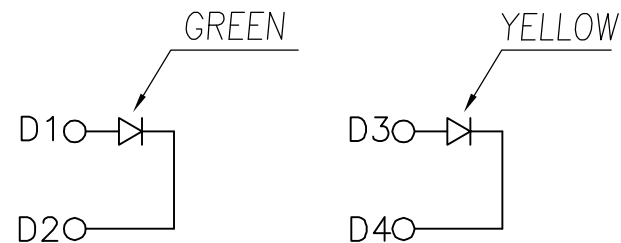
## 2. PCB LAYOUT



SUGGESTED PCB LAYOUT  
(TOP VIEW)

DIMENSIONAL TOLERANCE: .XX ±0.05[0.001]

## 3. LED CONFIGURATION



Color	Lens Color	Vf(v) @20mA		Iv(mcd) @10mA		Viewing angle
		Min	Max	Min	Typ	
Yellow	Yellow Diffused	1.7	2.8	3.0	6.0	2θ 1/2
Green	Green Diffused	1.7	2.8	3.5	6.0	116

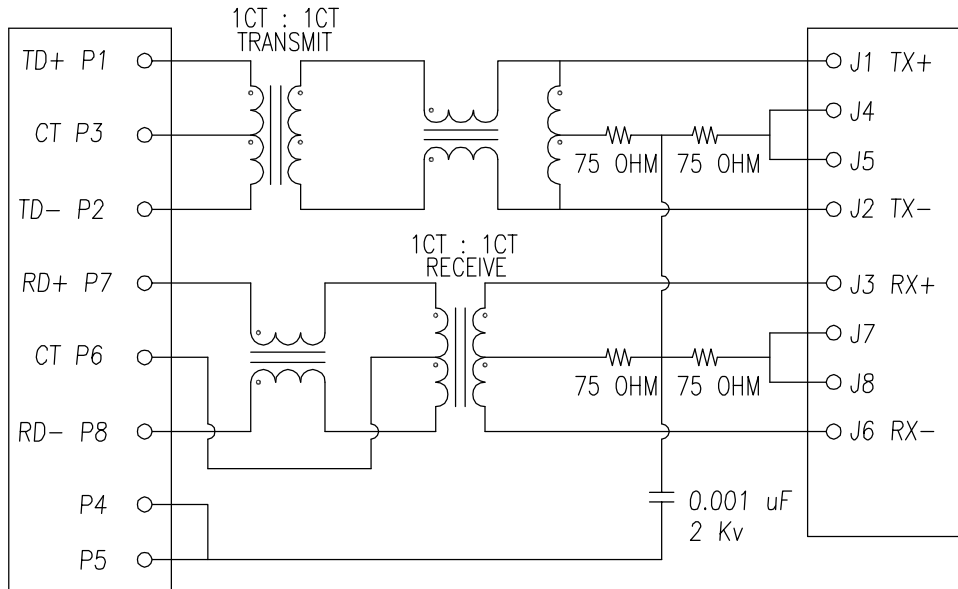
# RoHS Compliant

			CONNECTING THE INFORMATION AGE		
Xmultiple Technologies, Inc. 1060 Los Angeles Avenue Simi Valley, CA 93065					G/NO:
THIS DRAWING IS A CONTROLLED DOCUMENT.					DWG NO: XMH-01-4-E13-111-1P0-SA1
TITLE: SINGLE PORT, RJ45, SHIELDED, WITH LED WITH TRANSFORMER,					DRAWN: Ivy Li
PART NO: XMH-01-4-E13-111-1P0-SA1					CHKD: Michael
			UNIT mm[inch ]	SHEET 2 of 3	REV 01
					DATE: 2012/02/29

#### 4. SCHMATIC :

CONNECTOR SOLDER SIDE

RJ45 CONTACT SIDE



#### 5. ELECTRICAL CHARACTERISTICS :

TEST NOTES:( $25 \pm 5^\circ\text{C}$ )

1.TR:(100KHz,0.1V);

PINS:(P1-P2):(J1-J2)= $1:1 \pm 3\%$

PINS:(P7-P8):(J3-J6)= $1:1 \pm 3\%$

2.LX:(100KHz,100mV,8mA, DC Bias)

PINS: (P1,P2),(P7,P8)=350uH MINIMUM

3.DCR:

PINS:(J1-J2),(J3-J6)= 1.2 OHMS MAXIMUM

4.HIPOT:

PINS(P1,P3,P2)TO(J1,J2)=1500VAC FOR 2 SECONDS

PINS(P7,P6,P8)TO(J3,J6)=1500VAC FOR 2 SECONDS

5.INSERTION LOSS:

-1.0dB MAXIMUM AT 1MHz TO 100MHz;

6.RETURN LOSS:

-20dB MINIMUM AT 1MHz TO 30MHz;

-15dB MINIMUM AT 30MHz TO 60MHz

-10dB MINIMUM AT 60MHz TO 80MHz

7.CROSS TALK:

-30dB MINIMUM AT 1MHz TO 100MHz

8.COMMON TO COMMON MODE REJECTION:

-30dB MINIMUM AT 1MHz TO 100MHz

# RoHS Compliant

X MULTIPLE			CONNECTING THE INFORMATION AGE	
Xmultiple Technologies, Inc.1060 Los Angeles Avenue Simi Valley, CA 93065			G/NO:	
THIS DRAWING IS A CONTROLLED DOCUMENT.			DWG NO: XMH-01-4-E13-111-1P0-SA1	
TITLE: SINGLE PORT, RJ45, SHIELDED, WITH LED WITH TRANSFORMER,			DRAWN: Ivy Li	
PART NO: XMH-01-4-E13-111-1P0-SA1			CHKD: Michael	
		UNIT	SHEET	REV
mm[inch ]		3 of 3	01	DATE: 2012/02/29