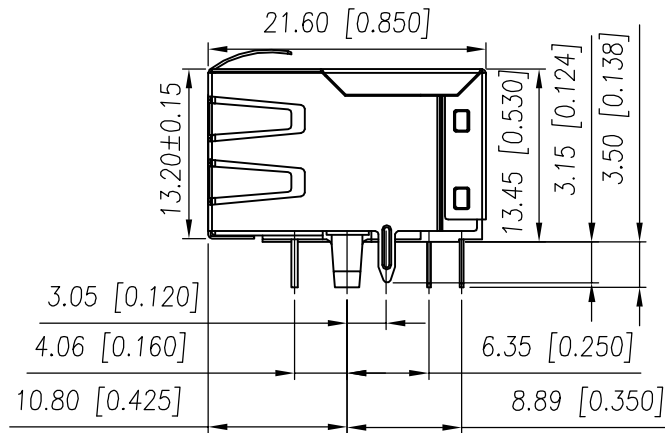
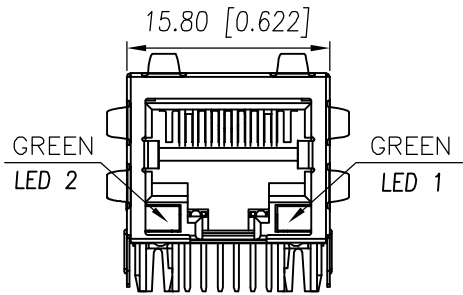
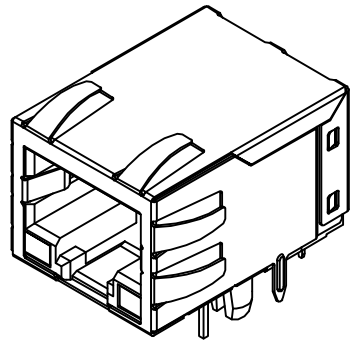
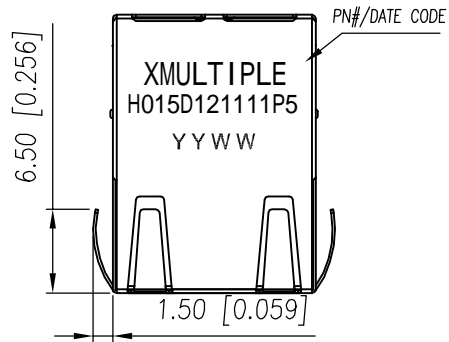


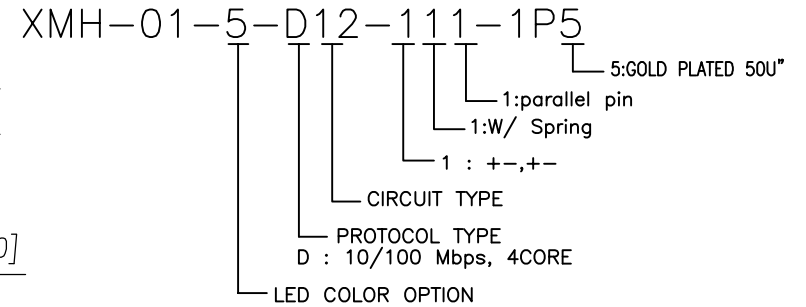
1. MECHANICAL DIMENSIONS :



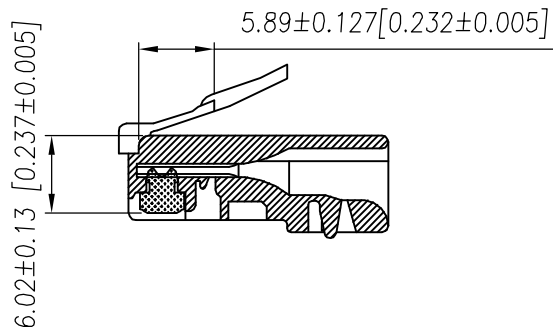
NOTES:

- MATERIALS:
HOUSING: HIGH TEMPERATURE PBT UL94V-0 BLACK
CONTACTS: T=0.30PHOSPHOR BORNZE, NICKEL UNDERPLATE ON ALL AREA, TIN ON TERMINATION END, PLATED GOLD WITH 50u" ON CONTACT AREA.
SHIELD: BRASS T=0.20mm,NICKEL 50u" MIN PLATING.
- JACK CAVITY CONFORMS TO FCC RULES AND REGULATIONS PART 68, SUBPART F

PART NO:



RECOMMENED PLUG DIMENSION:



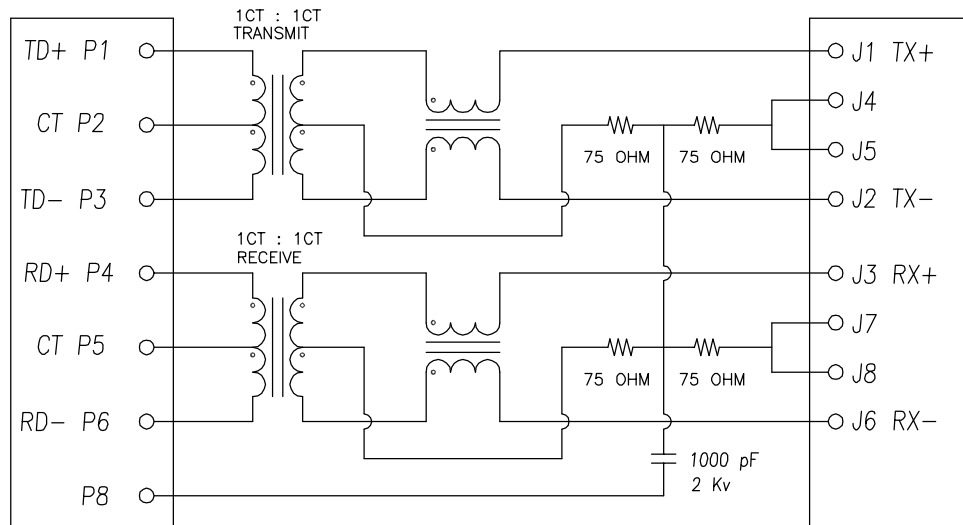
RoHS Compliant

XMULTIPLE			CONNECTING THE INFORMATION AGE	
Xmultiple Technologies, Inc.1060 Los Angeles Avenue Simi Valley, CA 93065			G/NO:	
THIS DRAWING IS A CONTROLLED DOCUMENT.			DWG NO: XMH-01-5-D12-111-1P5	
TITLE: RJ45 Connectors, W/LED, 8P, 8C, Shielded/Thru Hole/10/100 Mbps FILTER			DRAWN: Ivy Li	
PART NO: XMH-01-5-D12-111-1P5			CHKD: Michael	
		UNIT	SHEET	REV
mm[inch]		1 of 3	01	DATE: 2012/05/08

4. SCHMATIC :

CONNECTOR SOLDER SIDE

RJ45 CONTACT SIDE



5. ELECTRICAL CHARACTERISTICS :

TEST NOTES:(25±5°C)

1.TR:(100KHz,0.1V);

PINS:(P1-P3):(J1-J2)=1:1±3%

PINS:(P4-P6):(J3-J6)=1:1±3%

2.LX:(100KHz,100mV,8mA, DC Bias)

PINS: (P1,P3),(P4,P6)=350uH MINIMUM

3.DCR:

PINS:(J1-J2),(J3-J6)= 1.2 OHMS MAXIMUM

4.HIPOT:

PINS(P1,P2,P3)TO(J1,J2)=1500VAC FOR 60 SECONDS

PINS(P4,P5,P6)TO(J3,J6)=1500VAC FOR 60 SECONDS

5.INSERTION LOSS:

-1.0dB MAXIMUM AT 1MHz TO 100MHz;

6.RETURN LOSS:

-20dB MINIMUM AT 1MHz TO 30MHz;

-15dB MINIMUM AT 30MHz TO 60MHz

-10dB MINIMUM AT 60MHz TO 80MHz

7.CROSS TALK:

-30dB MINIMUM AT 1MHz TO 100MHz

8.COMMON TO COMMON MODE REJECTION:

-30dB MINIMUM AT 1MHz TO 100MHz

RoHS Compliant

X MULTIPLE			CONNECTING THE INFORMATION AGE	
Xmultiple Technologies, Inc.1060 Los Angeles Avenue Simi Valley, CA 93065				G/NO:
THIS DRAWING IS A CONTROLLED DOCUMENT.				DWG NO: XMH-01-5-D12-111-1P5
TITLE: RJ45 Connectors, W/LED, 8P, 8C, Shielded/Thru Hole/10/100 Mbps FILTER				DRAWN: Ivy Li
PART NO: XMH-01-5-D12-111-1P5				CHKD: Michael
UNIT		SHEET		REV
mm[inch]		3 of 3		01
				DATE: 2012/05/08