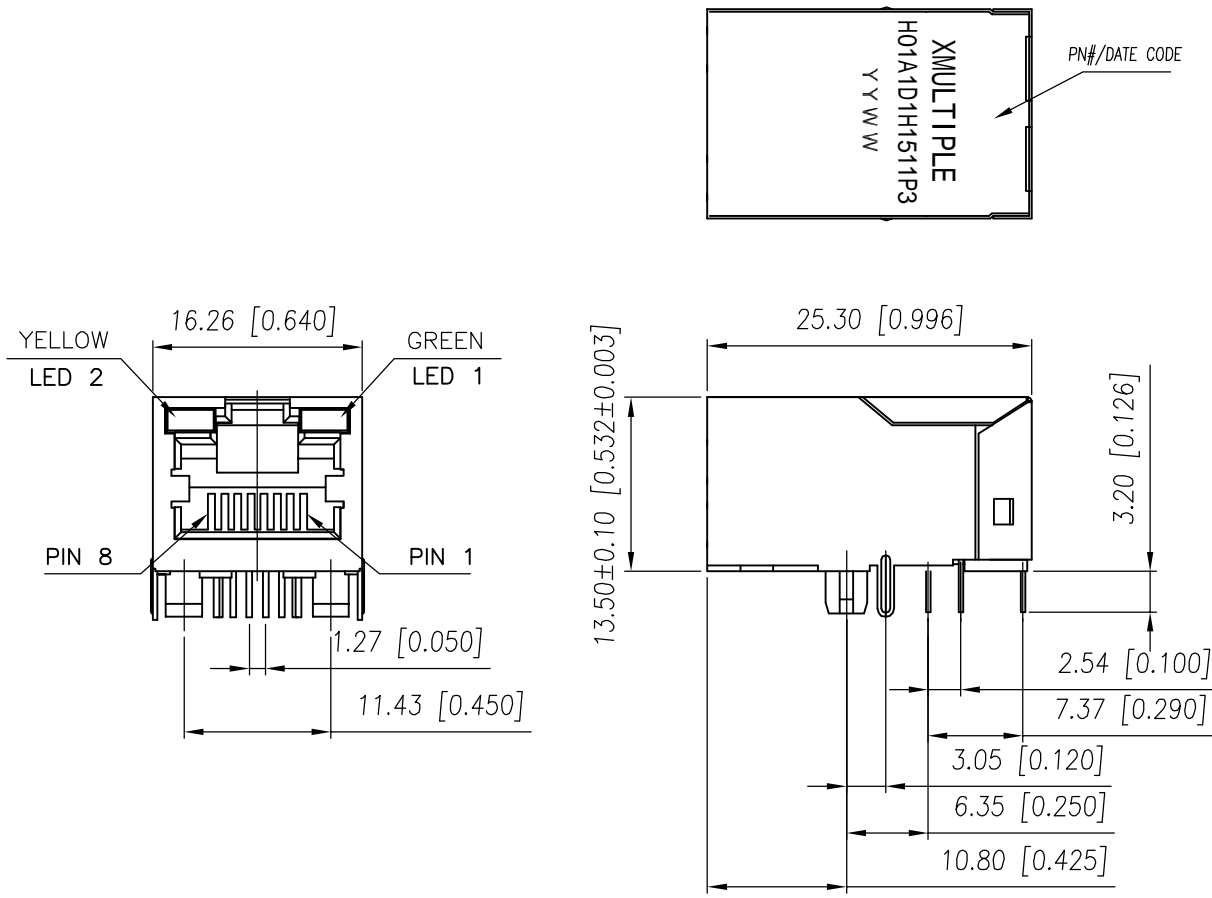


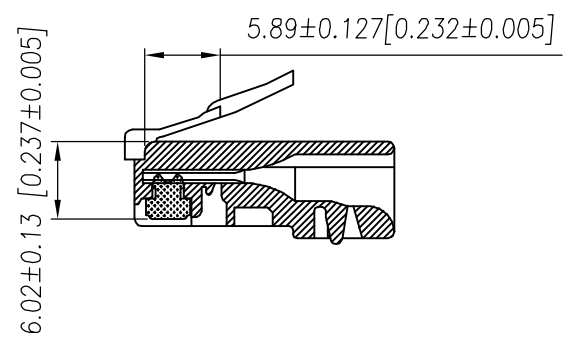
1. MECHANICAL DIMENSIONS :





- NOTES:
- MATERIAL:
 - HOUSING - PBT POLYESTER UL94V-0 MIXED GLASS FIBER. STANDARD COLOR - BLACK
 - CONTACTS - 0.35mm THICK PHOS-BRONZE PLATED WITH 15u" GOLD IN CONTACT AREA, TIN IN SOLDER AREA, AND UNDERPLATED NICKEL IN ALL AREA.
 - SHIELD - 0.20mm THICK COPPER ALLOY, PLATED WITH NICKEL.
 - OPERATING TEMPERATURE : 0°C~70°C
STORAGE TEMPERATURE : -40°C~85°C
 - CAVITY CONFORMS TO FCC RULES AND REGULATIONS PART 68, SUBPART F.

PART NO:
XMH-01A-1-D1H-151-1P3
 H : TAB UP AND STACKED,
 1 : +-,+- PLATDE 15U"
 CIRCUIT TYPE
 PROTOCOL TYPE
 D : 10/100 Mbps,
 LED COLOR OPTION

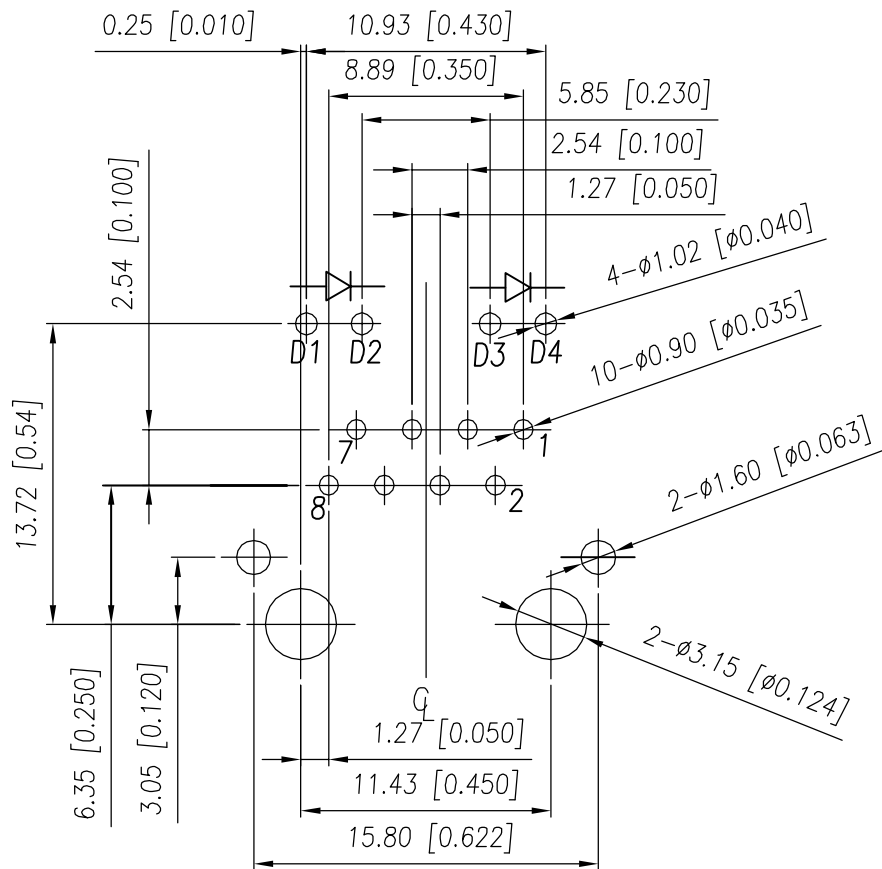
RECOMMENED PLUG DIMENSION:



RoHS Compliant

X MULTIPLE			CONNECTING THE INFORMATION AGE	
Xmultiple Technologies, Inc. 1060 Los Angeles Avenue Simi Valley, CA 93065			G/NO:	
THIS DRAWING IS A CONTROLLED DOCUMENT.			DWG NO: XMH-01A-1-D1H-151-1P3	
TITLE: SINGLE PORT, RJ45, SHIELDED, WITH LED WITH TRANSFORMER,			DRAWN: Ivy Li	
PART NO: XMH-01A-1-D1H-151-1P3			CHKD: Michael	
 		UNIT mm[inch]	SHEET 1 of 3	REV 01
			DATE: 2012/04/14	

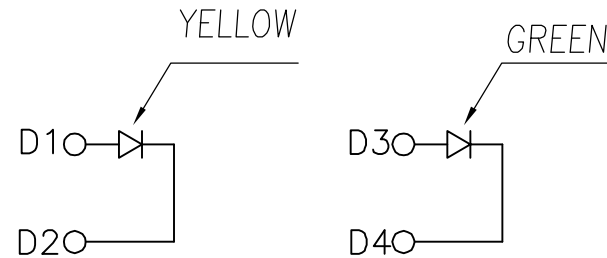
2. PCB LAYOUT



SUGGESTED PCB LAYOUT
(TOP VIEW)

DIMENSIONAL TOLERANCE: .XX ±0.05[0.001]

3. LED CONFIGURATION



Color	Lens Color	Vf(v) @20mA		Iv(mcd) @10mA		Viewing angle
		Min	Max	Min	Typ	
Yellow	Yellow Diffused	1.7	2.8	3.0	6.0	2θ 1/2
Green	Green Diffused	1.7	2.8	3.5	6.0	116

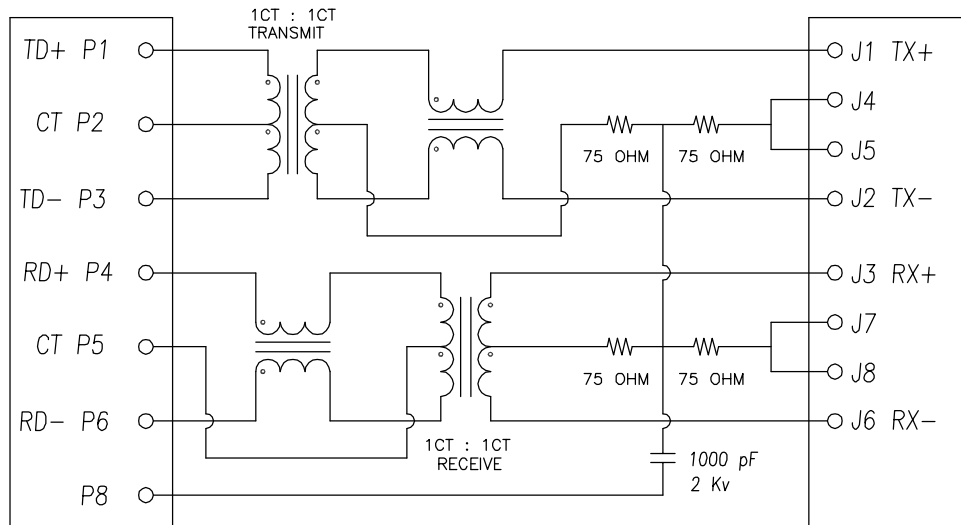
RoHS Compliant

X MULTIPLE			CONNECTING THE INFORMATION AGE	
Xmultiple Technologies, Inc. 1060 Los Angeles Avenue Simi Valley, CA 93065				G/NO:
THIS DRAWING IS A CONTROLLED DOCUMENT.				DWG NO: XMH-01A-1-D1H-151-1P3
TITLE: SINGLE PORT, RJ45, SHIELDED, WITH LED WITH TRANSFORMER,				DRAWN: Ivy Li
PART NO: XMH-01A-1-D1H-151-1P3				CHKD: Michael
UNIT mm[inch]		SHEET 2 of 3	REV 01	DATE: 2012/04/14

4. SCHMATIC :

CONNECTOR SOLDER SIDE

RJ45 CONTACT SIDE



5. ELECTRICAL CHARACTERISTICS :

TEST NOTES:(25±5°C)

1.TR:(100KHz,0.1V);

PINS:(P1-P3):(J1-J2)=1:1±3%

PINS:(P4-P6):(J3-J6)=1:1±3%

2.LX:(100KHz,100mV,8mA, DC Bias)

PINS: (P1,P3),(P4,P6)=350uH MINIMUM

3.DCR:

PINS:(J1-J2),(J3-J6)= 1.2 OHMS MAXIMUM

4.HIPOT:

PINS(P1,P2,P3)TO(J1,J2)=1500VAC FOR 2 SECONDS

PINS(P4,P5,P6)TO(J3,J6)=1500VAC FOR 2 SECONDS

5.INSERTION LOSS:

-1.0dB MAXIMUM AT 1MHz TO 100MHz;

6.RETURN LOSS:

-20dB MINIMUM AT 1MHz TO 30MHz;

-15dB MINIMUM AT 30MHz TO 60MHz

-10dB MINIMUM AT 60MHz TO 80MHz

7.CROSS TALK:

-30dB MINIMUM AT 1MHz TO 100MHz

8.COMMON TO COMMON MODE REJECTION:

-30dB MINIMUM AT 1MHz TO 100MHz

RoHS Compliant

X MULTIPLE			CONNECTING THE INFORMATION AGE	
Xmultiple Technologies, Inc.1060 Los Angeles Avenue Simi Valley, CA 93065				G/NO:
THIS DRAWING IS A CONTROLLED DOCUMENT.				DWG NO: XMH-01A-1-D1H-1P3
TITLE: SINGLE PORT, RJ45, SHIELDED, WITH LED WITH TRANSFORMER,				DRAWN: Ivy Li
PART NO: XMH-01A-1-D1H-151-1P3				CHKD: Michael
		UNIT	SHEET	REV
		mm[inch]	3 of 3	01
				DATE: 2012/04/14