

# 1. MECHANICAL DIMENSIONS :

## NOTES:

### 1. MATERIAL:

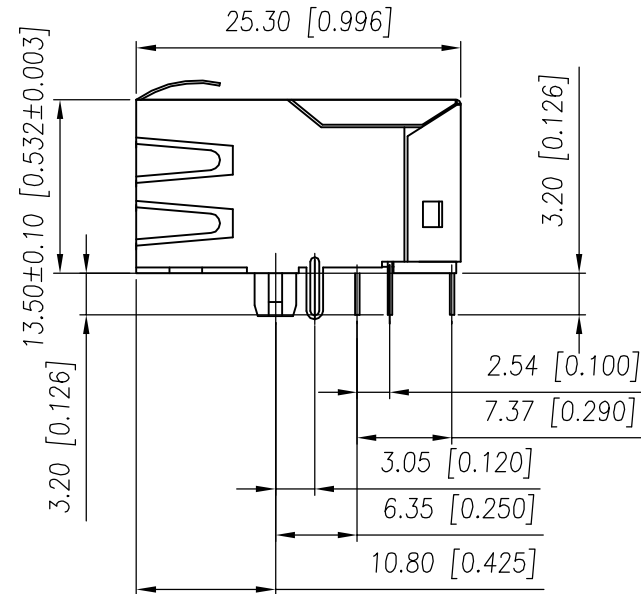
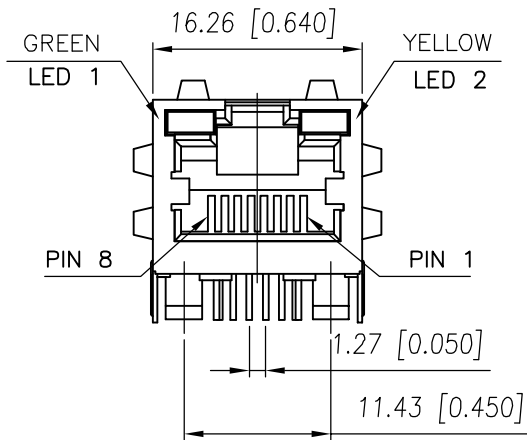
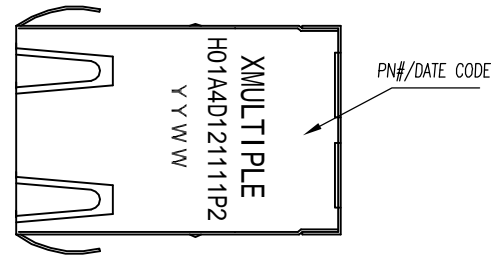
HOUSING - PBT POLYESTER UL94V-0  
MIXED GLASS FIBER.  
STANDARD COLOR - BLACK

CONTACTS - 0.35mm THICK PHOS-BRONZE PLATED  
WITH 6u" GOLD IN CONTACT AREA, TIN IN  
SOLDER AREA, AND UNDERPLATED NICKEL  
IN ALL AREA.

SHIELD - 0.20mm THICK COPPER ALLOY,  
PLATED WITH NICKEL.

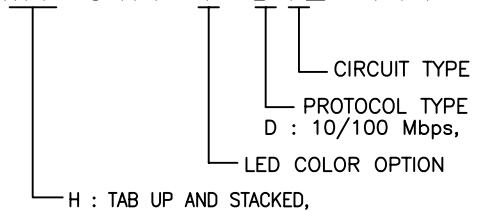
### 2. OPERATING TEMPERATURE : 0°C~70°C

### 3. CAVITY CONFORMS TO FCC RULES AND REGULATIONS PART 68, SUBPART F.

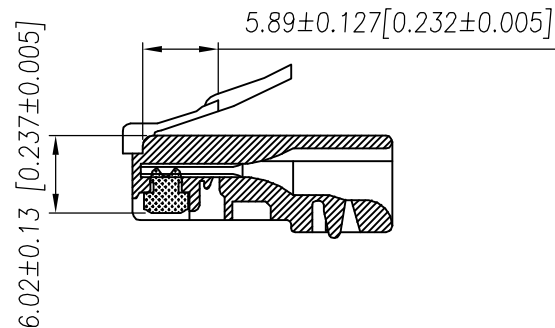


## PART NO:

**XMH-01A-4-D12-111-1P2**



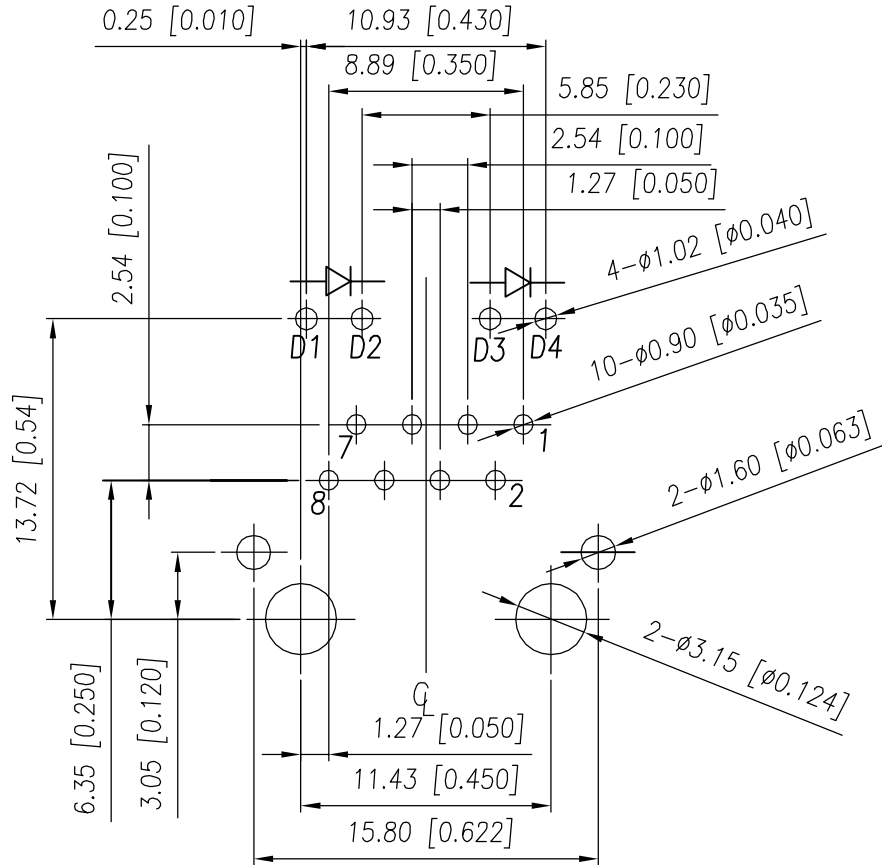
## RECOMMENED PLUG DIMENSION:



# RoHS Compliant

<b>XMULTIPLE</b>			CONNECTING THE INFORMATION AGE	
Xmultiple Technologies, Inc. 1060 Los Angeles Avenue Simi Valley, CA 93065				G/NO:
THIS DRAWING IS A CONTROLLED DOCUMENT.				DWG NO: <b>XMH-01A-4-D12-111-1P2</b>
TITLE: SINGLE PORT, RJ45, SHIELDED, WITH LED WITH TRANSFORMER, 10/100Mbps				DRAWN: Ivy Li
PART NO: XMH-01A-4-D12-111-1P2				CHKD: Michael
		UNIT mm[inch ]	SHEET 1 of 3	REV 01
				DATE: 2012/05/15

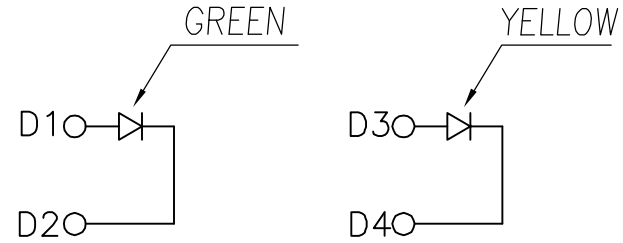
## 2. PCB LAYOUT



SUGGESTED PCB LAYOUT  
(TOP VIEW)

DIMENSIONAL TOLERANCE: .XX ±0.05[0.001]

## 3. LED CONFIGURATION



Color	Lens Color	Vf(v) @20mA		Iv(mcd) @10mA		Viewing angle
		Min	Max	Min	Typ	
Yellow	Yellow Diffused	1.7	2.8	3.0	6.0	2θ 1/2
Green	Green Diffused	1.7	2.8	3.5	6.0	116

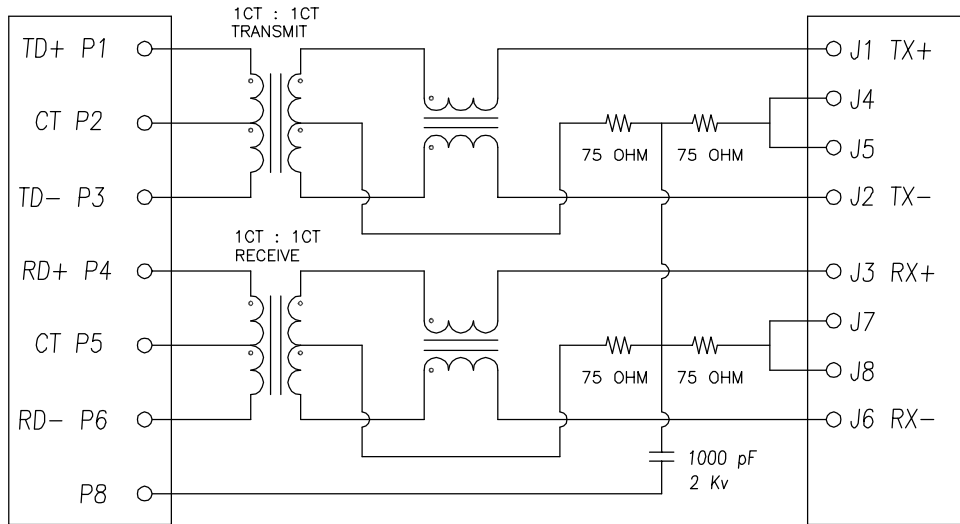
# RoHS Compliant

X MULTIPLE			CONNECTING THE INFORMATION AGE	
Xmultiple Technologies, Inc. 1060 Los Angeles Avenue Simi Valley, CA 93065				G/NO:
THIS DRAWING IS A CONTROLLED DOCUMENT.				DWG NO: XMH-01A-4-D12-111-1P2
TITLE: SINGLE PORT, RJ45, SHIELDED, WITH LED WITH TRANSFORMER, 10/100Mbps				DRAWN: Ivy Li
PART NO: XMH-01A-4-D12-111-1P2				CHKD: Michael
UNIT		SHEET	REV	DATE:
mm[inch ]		2 of 3	01	2012/05/15

#### 4. SCHMATIC :

CONNECTOR SOLDER SIDE

RJ45 CONTACT SIDE



#### 5. ELECTRICAL CHARACTERISTICS :

TEST NOTES:(25±5°C)

1.TR:(100KHz,0.1V);

PINS:(P1-P3):(J1-J2)=1:1±3%

PINS:(P4-P6):(J3-J6)=1:1±3%

2.LX:(100KHz,100mV,8mA, DC Bias)

PINS: (P1,P3),(P4,P6)=350uH MINIMUM

3.DCR:

PINS:(J1-J2),(J3-J6)= 1.2 OHMS MAXIMUM

4.HIPOT:

PINS(P1,P2,P3)TO(J1,J2)=1500VAC FOR 2 SECONDS

PINS(P4,P5,P6)TO(J3,J6)=1500VAC FOR 2 SECONDS

5.INSERTION LOSS:

-1.0dB MAXIMUM AT 1MHz TO 100MHz;

6.RETURN LOSS:

-20dB MINIMUM AT 1MHz TO 30MHz;

-15dB MINIMUM AT 30MHz TO 60MHz

-10dB MINIMUM AT 60MHz TO 80MHz

7.CROSS TALK:

-30dB MINIMUM AT 1MHz TO 100MHz

8.COMMON TO COMMON MODE REJECTION:

-30dB MINIMUM AT 1MHz TO 100MHz

# RoHS Compliant

<b>XMULTIPLE</b>			CONNECTING THE INFORMATION AGE	
Xmultiple Technologies, Inc.1060 Los Angeles Avenue Simi Valley, CA 93065				G/NO:
THIS DRAWING IS A CONTROLLED DOCUMENT.				DWG NO: <b>XMH-01A-4-D12-111-1P2</b>
TITLE: SINGLE PORT, RJ45, SHIELDED, WITH LED WITH TRANSFORMER,10/100Mbps				DRAWN: Ivy Li
PART NO: XMH-01A-4-D12-111-1P2				CHKD: Michael
		UNIT	SHEET	REV
mm[inch ]			3 of 3	01
				DATE: 2012/05/15