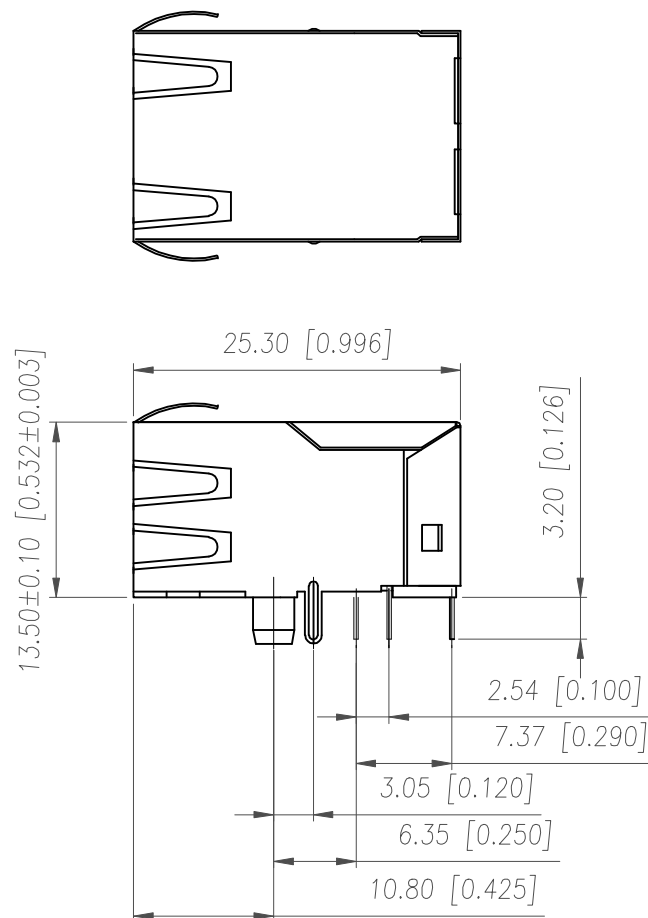
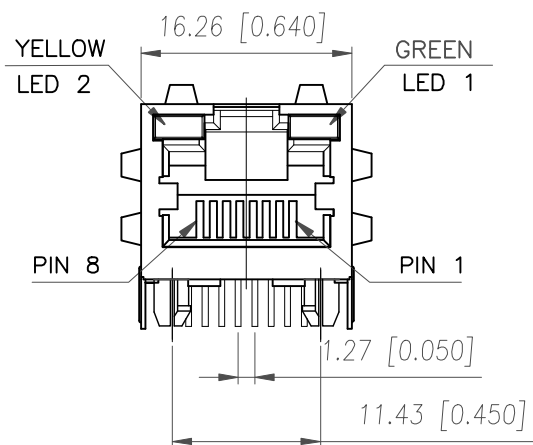
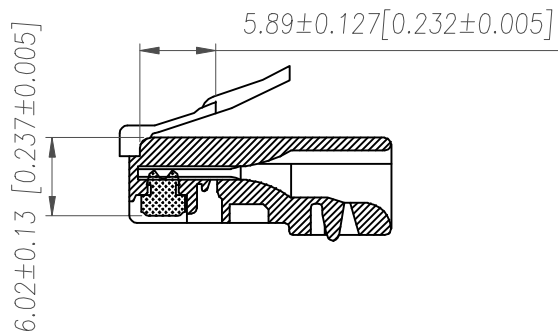


1. MECHANICAL DIMENSIONS :



RECOMMENED PLUG DIMENSION:

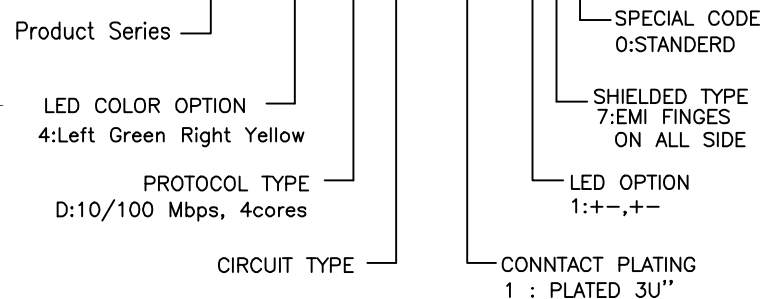


NOTES:

- MATERIALS:
HOUSING: PBT POLYESTER UL94V-0
MIXED GLASS FIBER.
STANDARD COLOR-BLACK.
CONTACTS: 0.35mm THICK PHOS-BRONZE PLATED WITH 6u" GOLD IN CONTACT AREA AND TIN IN SOLDER AREA, UNDERPLATED WITH NICKEL IN ALL AREA.
SHIELD: 0.20mm THICK COPPER ALLOY, PLATED WITH NICKEL.
- OPERATING TEMPERATURE: 0°C~70°C
- CAVITY CONFORMS TO FCC RULES AND REGULATIONS PART 68, SUBPART F
- UNSPECIFIED TOLERANCE: .XX ±0.25[0.010]
.X ±0.30[0.012]

PART NO:

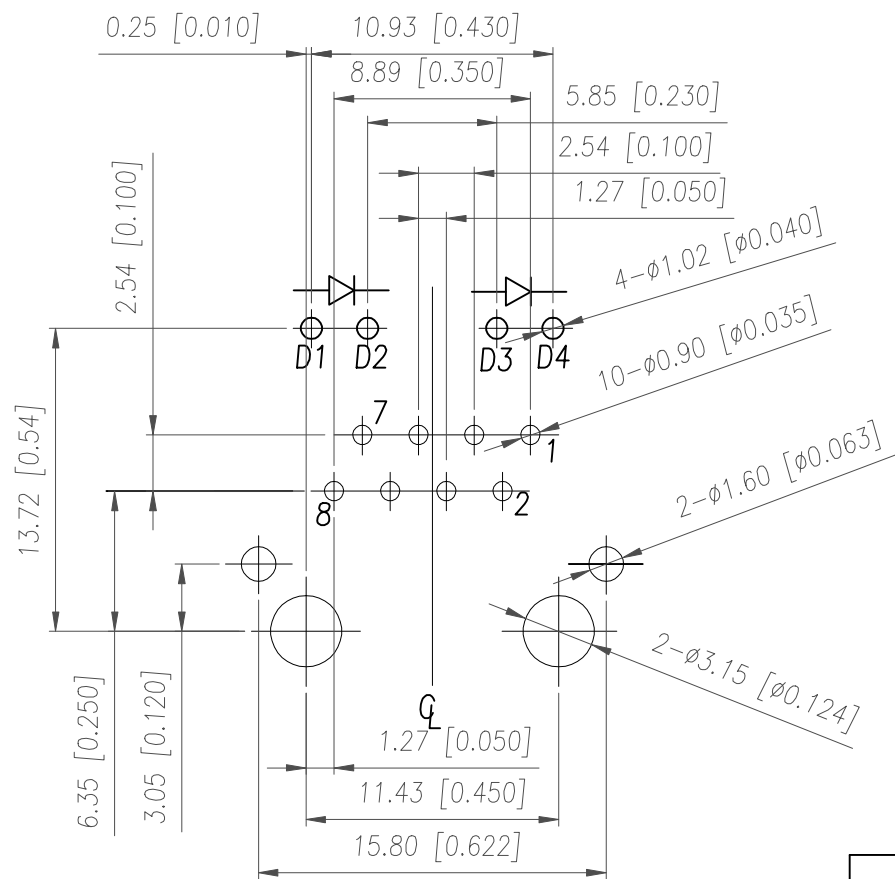
XMH-01D-1-DA1-1-170



| | |
|-----------------------|------------|
| TOLERANCE UNSPECIFIED | |
| .0 | ±0.38 |
| .00 | ±0.25 |
| .000 | ±0.15 |
| ANGLE | ±3.00° |
| MANUFACTURING COPY | |
| DRAWN BY | Jim Wang |
| CHECKED BY | Ann Yang |
| DATE | 2012.01.31 |

| | | | |
|---|------------|----------|---------------------|
| | | | |
| TITLE: RJ45 Connectors, W/LED, 8P, 8C,Shielded/Thru Hole/10/100/Mbps FILTER | | | |
| SIZE: A4 | UNIT: mm | PART NO. | XMH-01D-1-DA1-1-170 |
| SCALE: 1:1 | PROJECTION | | REV.: A0 |
| DATE | DWG NO. | SHEET | 1 OF 3 |

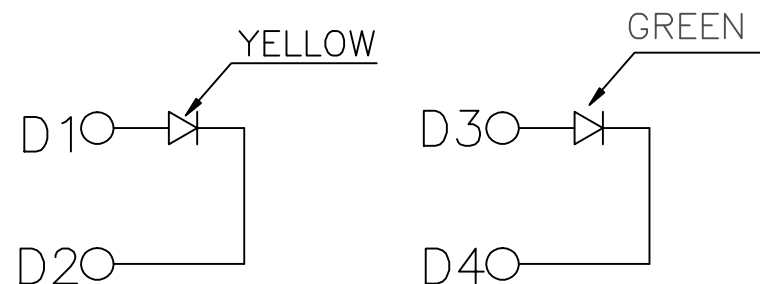
2. PCB LAYOUT



SUGGESTED PCB LAYOUT
(TOP VIEW)

DIMENSIONAL TOLERANCE: .XX ±0.05[0.001]

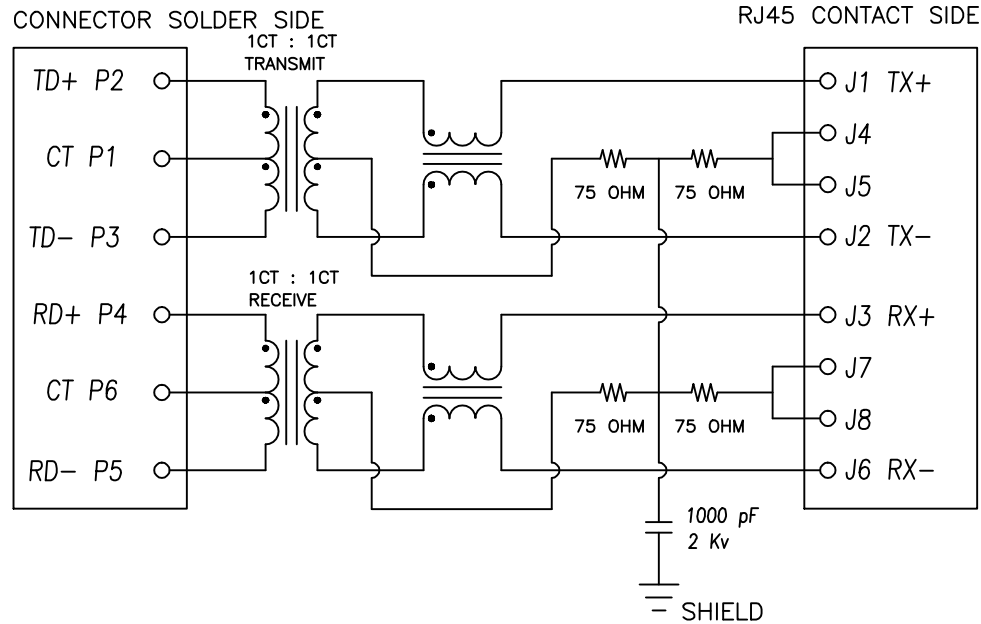
3. LED CONFIGURATION



| Color | Lens Color | Vf(v) @20mA | | Iv(mcd) @10mA | | Viewing angle 2θ 1/2 |
|--------|-----------------|----------------|-----|------------------|-----|-------------------------|
| | | Min | Max | Min | Typ | |
| Green | Yellow Diffused | 1.7 | 2.8 | 3.0 | 6.0 | 116 |
| Yellow | Green Diffused | 1.7 | 2.8 | 3.5 | 6.0 | 116 |

| | | | | | | |
|-----------------------|--------|------------|------------|------------------------------------|---------------------|---|
| TOLERANCE UNSPECIFIED | | X MULTIPLE | | CONNECTIN THE INFORMATIO AGF | | |
| .0 | ±0.38 | | | | | TITLE: RJ45 Connectors, W/LED, 8P, 8C,Shielded/Thru Hole/10/100Mbps FILTER |
| .00 | ±0.25 | SIZE: A4 | UNIT: mm | PART NO. | XMH-01D-1-DA1-1-170 | |
| .000 | ±0.15 | CHECKED BY | Ann Yang | SCALE: 1:1 | PROJECTION | REV.: A0 |
| ANGLE | ±3.00° | DATE | 2012.01.31 | DWG NO. | LK-RJ-WST-201 | SHEET |
| MANUFACTURING COPY | | | | | | 2 OF 3 |

4. SCHMATIC :



5. ELECTRICAL CHARACTERISTICS :

TEST NOTES:(25±5°C)

1.TR:(100KHz,0.1V);

PINS:(P2-P3):(J1-J2)=1:1±3%

PINS:(P4-P5):(J3-J6)=1:1±3%

2.LX:(100KHz,100mV,8mA, DC Bias)

PINS: (P2,P3),(P4,P5)=350uH MINIMUM

3.DCR:

PINS:(J1-J2),(J3-J6)= 1.2OHMS MAXIMUM

4.HIPOT:

PINS(P2,P1,P3)TO(J1,J2)=1500VAC FOR 60 SECONDS

PINS(P4,P6,P5)TO(J3,J6)=1500VAC FOR 60 SECONDS

5.INSERTION LOSS:

-1.0dB MAXIMUM AT 0.3MHz TO 100MHz;

6.RETURN LOSS:

-20dB MINIMUM AT 1MHz TO 30MHz;

-15dB MINIMUM AT 30MHz TO 60MHz

-10dB MINIMUM AT 60MHz TO 80MHz

7.CROSS TALK:

-30dB MINIMUM AT 1MHz TO 100MHz

8.COMMON TO COMMON MODE REJECTION:

-30dB MINIMUM AT 1MHz TO 100MHz

| | | | | | | | |
|-----------------------|--------|--|------------|------------------------------|---------------|------------|---------------------|
| TOLERANCE UNSPECIFIED | | X MULTIPLE | | CONNECTIN THE INFORMATIO AGF | | | |
| .0 | ±0.38 | | | | | | |
| .00 | ±0.25 | TITLE: RJ45 Connectors, W/LED, 8P, 8C,Shielded/Thru Hole/10/100Mbps FILTER | | | | | |
| .000 | ±0.15 | DRAWN BY | Jim Wang | SIZE:A4 | UNIT: mm | PART NO. | XMH-01D-1-DA1-1-170 |
| ANGLE | ±3.00° | CHECKED BY | Ann Yang | SCALE: | 1:1 | PROJECTION | REV.: A0 |
| MANUFACTURING COPY | | DATE | 2012.01.31 | DWG NO. | LK-RJ-WST-201 | SHEET | 3 OF 3 |