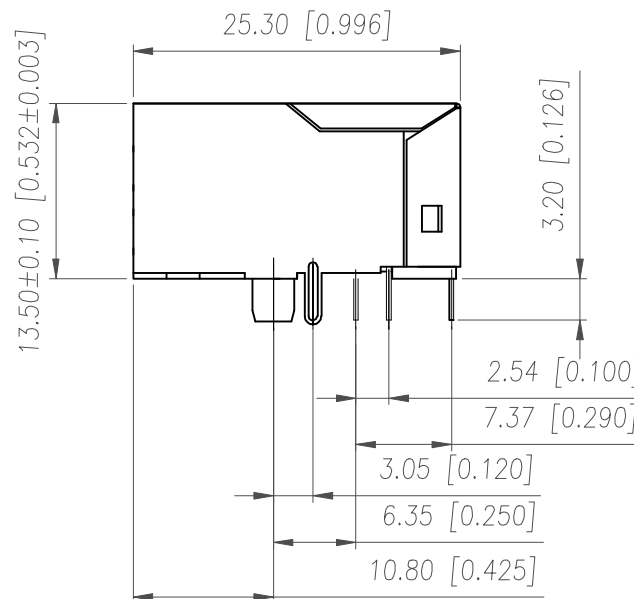
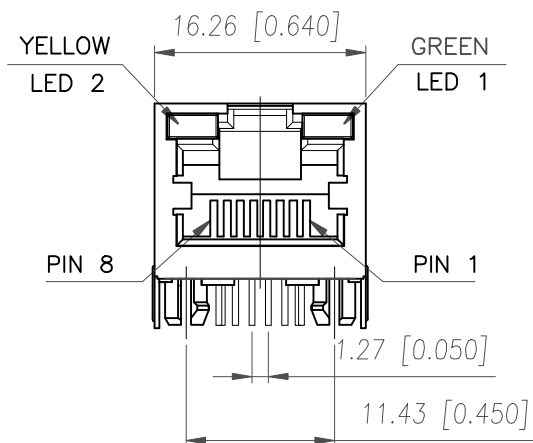


1. MECHANICAL DIMENSIONS :

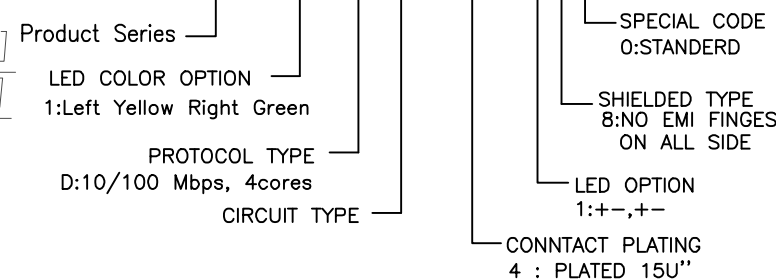


NOTES:

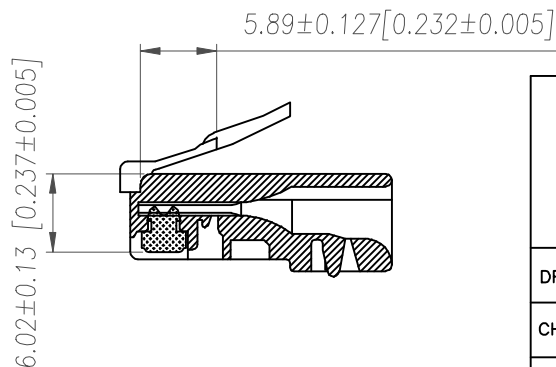
- MATERIALS:
HOUSING: PBT POLYESTER UL94V-0 MIXED GLASS FIBER. STANDARD COLOR-BLACK.
CONTACTS: 0.35mm THICK PHOS-BRONZE PLATED WITH 15u" GOLD IN CONTACT AREA AND TIN IN SOLDER AREA, UNDERPLATED WITH NICKEL IN ALL AREA.
SHIELD: 0.20mm THICK COPPER ALLOY, PLATED WITH NICKEL.
- OPERATING TEMPERATURE: 0°C~70°C
- CAVITY CONFORMS TO FCC RULES AND REGULATIONS PART 68, SUBPART F

PART NO:

XMH-01D-1-DH1-4-180



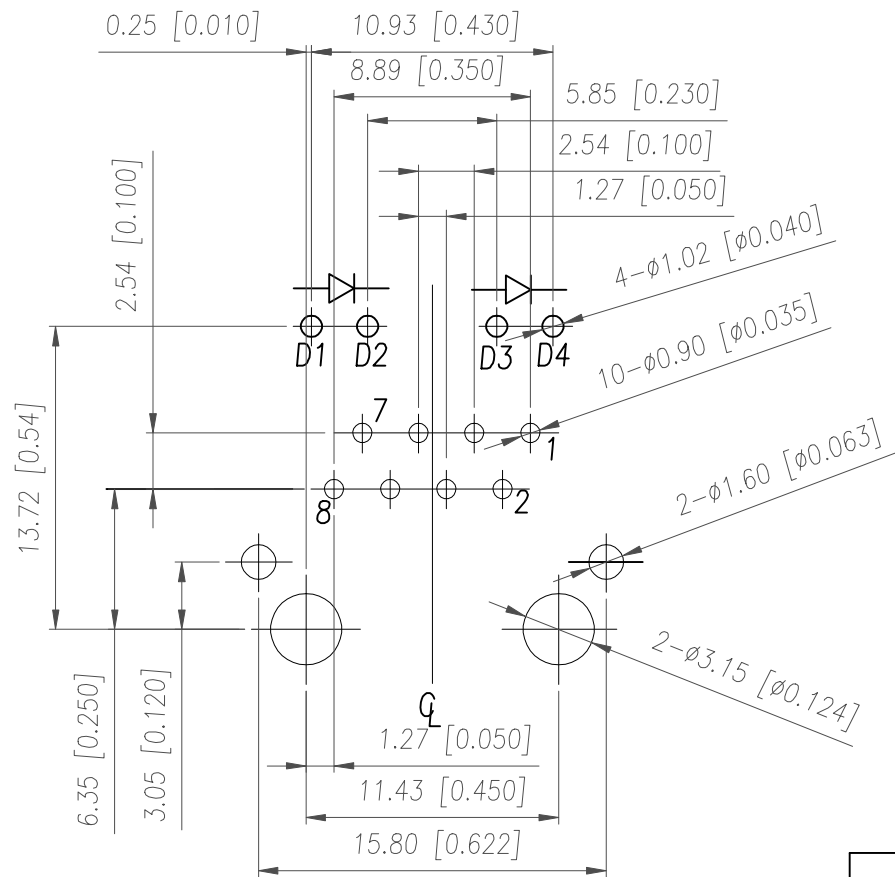
RECOMMENED PLUG DIMENSION:



RoHS Compliant

TOLERANCE UNSPECIFIED							
.0	±0.38						
.00	±0.25	DRAWN BY	Jim Wang	SIZE: A4	UNIT: mm	PART NO.	XMH-01D-1-DH1-4-180
.000	±0.15	CHECKED BY	Ann Yang	SCALE: 1:1	PROJECTION		REV.: A0
ANGLE	±3.00°	DATE	2012.01.31	DWG NO.	LK-RJ-WST-231	SHEET	1 OF 3
MANUFACTURING COPY							

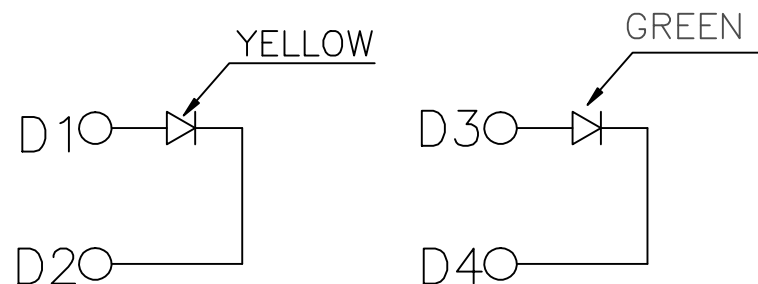
2. PCB LAYOUT



SUGGESTED PCB LAYOUT
(TOP VIEW)

DIMENSIONAL TOLERANCE: .XX ±0.05[0.001]

3. LED CONFIGURATION



Color	Lens Color	Vf(v) @20mA		Iv(mcd) @10mA		Viewing angle 2θ 1/2
		Min	Max	Min	Typ	
Green	Yellow Diffused	1.7	2.8	3.0	6.0	116
Yellow	Green Diffused	1.7	2.8	3.5	6.0	116

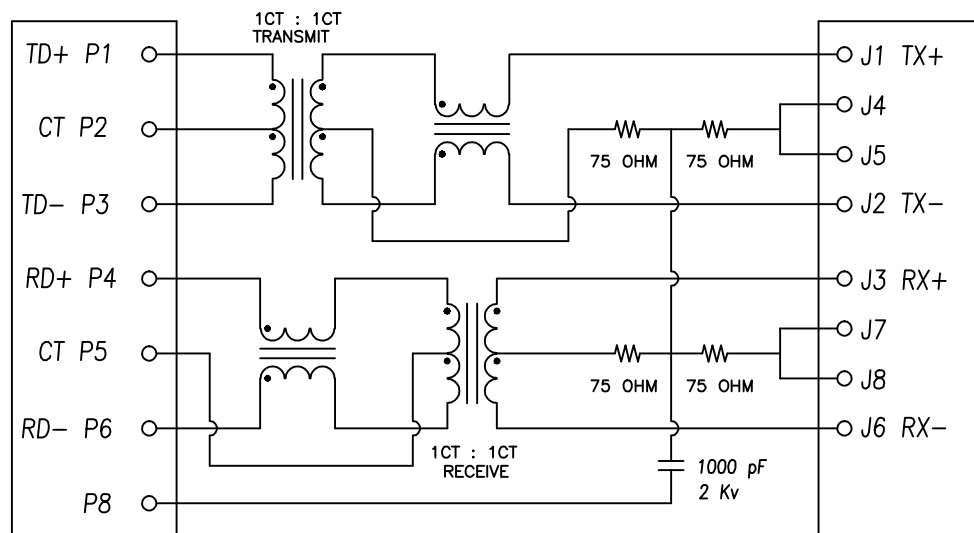
RoHS Compliant

TOLERANCE UNSPECIFIED		X MULTIPLE		CONNECTIN THE INFORMATIO AGF	
.0	±0.38				
.00	±0.25	TITLE: RJ45 Connectors, W/LED, 8P, 8C,Shielded/Thru Hole/10/100Mbps FILTER			
.000	±0.15	SIZE: A4	UNIT: mm	PART NO.	XMH-01D-1-DH1-4-180
ANGLE	±3.00°	CHECKED BY	Ann Yang	SCALE: 1:1	PROJECTION
MANUFACTURING COPY		DATE	2012.01.31	DWG NO.	LK-RJ-WST-231
				SHEET	2 OF 3

4. SCHMATIC :

CONNECTOR SOLDER SIDE

RJ45 CONTACT SIDE



5. ELECTRICAL CHARACTERISTICS :

TEST NOTES:(25±5°C)

1.TR:(100KHz,0.1V);

PINS:(P1-P3):(J1-J2)=1:1±3%

PINS:(P4-P6):(J3-J6)=1:1±3%

2.LX:(100KHz,100mV,8mA, DC Bias)

PINS: (P1,P3),(P4,P6)=350uH MINIMUM

3.DCR:

PINS:(J1-J2),(J3-J6)= 1.2 OHMS MAXIMUM

4.HIPOT:

PINS(P1,P2,P3)TO(J1,J2)=1500VAC FOR 2 SECONDS

PINS(P4,P5,P6)TO(J3,J6)=1500VAC FOR 2 SECONDS

5.INSERTION LOSS:

-1.0dB MAXIMUM AT 1MHz TO 100MHz;

6.RETURN LOSS:

-20dB MINIMUM AT 1MHz TO 30MHz;

-15dB MINIMUM AT 30MHz TO 60MHz

-10dB MINIMUM AT 60MHz TO 80MHz

7.CROSS TALK:

-30dB MINIMUM AT 1MHz TO 100MHz

8.COMMON TO COMMON MODE REJECTION:

-30dB MINIMUM AT 1MHz TO 100MHz

RoHS Compliant

TOLERANCE UNSPECIFIED		X MULTIPLE		CONNECT THE INFORMATION AGF			
.0	±0.38						
.00	±0.25	TITLE: RJ45 Connectors, W/LED, 8P, 8C,Shielded/Thru Hole/10/100Mbps FILTER					
.000	±0.15	DRAWN BY	Jim Wang	SIZE:A4	UNIT: mm	PART NO.	XMH-01D-1-DH1-4-180
ANGLE	±3.00°	CHECKED BY	Ann Yang	SCALE:	1:1	PROJECTION	REV.: A0
MANUFACTURING COPY		DATE	2012.01.31	DWG NO.	LK-RJ-WST-231	SHEET	3 OF 3