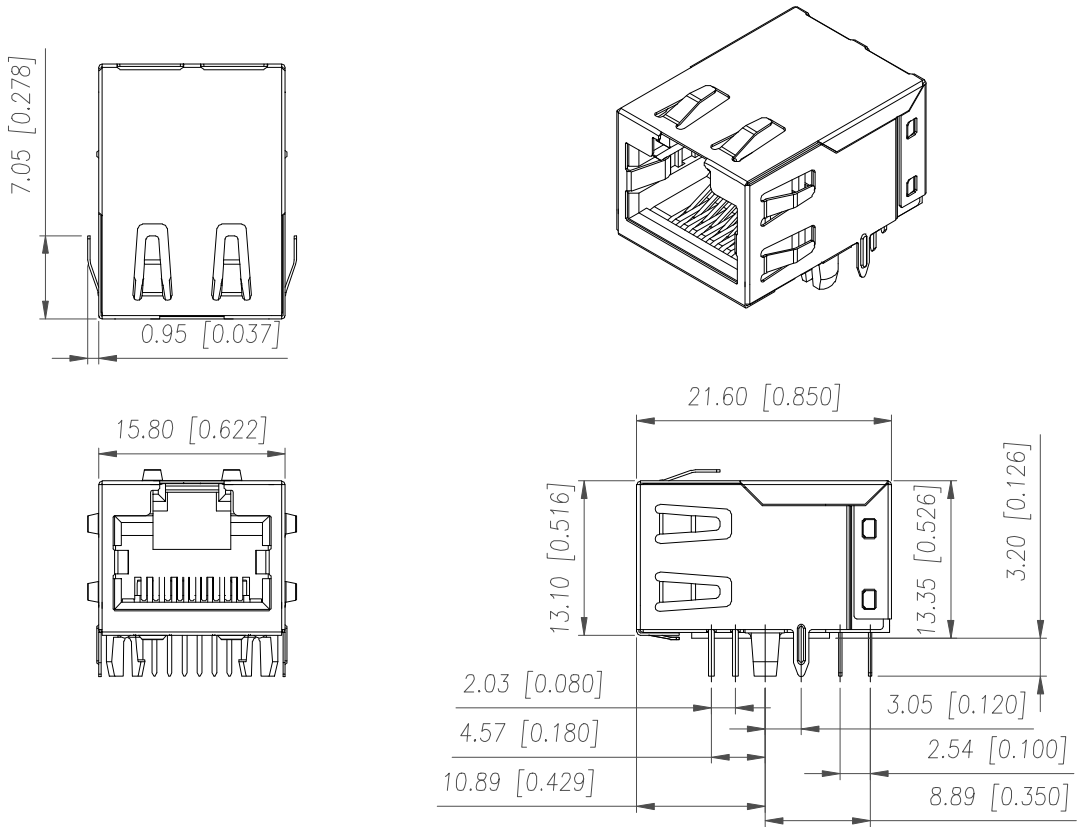


1. MECHANICAL DIMENSIONS :

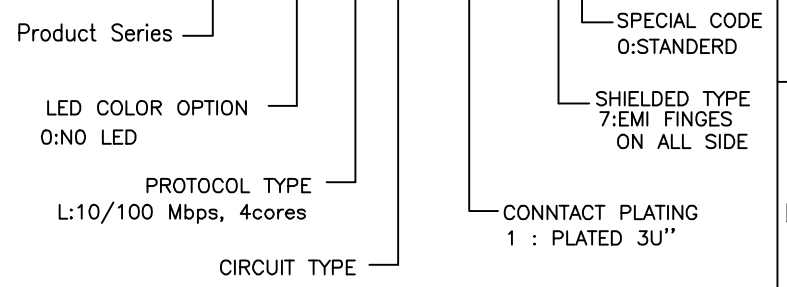


NOTES:

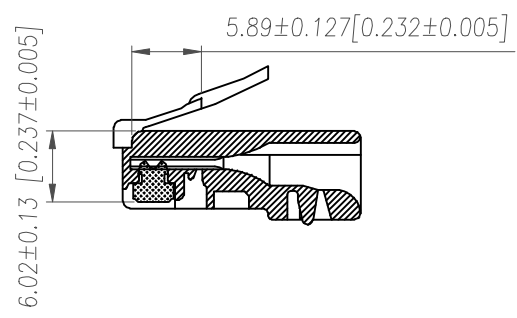
- MATERIALS:**
HOUSING: HIGH TEMPERATURE PBT UL94V-0 BLACK
CONTACTS: T=0.30PHOSPHOR BORNZE, NICKEL UNDERPLATE ON ALL AREA, TIN ON TERMINATION END, HARD GOLD PLATED WITH 30u" ON CONTACT AREA.
SHIELD: SUS T=0.20mm,NICKEL 50u" MIN PLATING.
- JACK CAVITY CONFORMS TO FCC RULES AND REGULATIONS PART 68, SUBPART F

PART NO:

XMH-01E-0-D9A-1-070-ABB



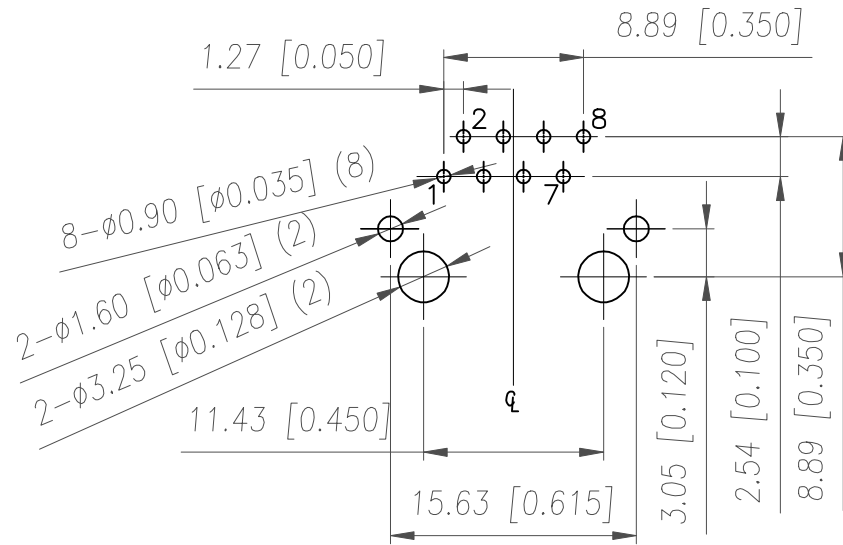
RECOMMENED PLUG DIMENSION:



RoHS Compliant

TOLERANCE UNSPECIFIED		X MULTIPLE		CONNECTIN THE INFORMATIO AGF	
.0	±0.25				
.00	±0.13	TITLE: RJ45 Connectors, W/O LED, 8P, 8C,Shielded/Thru Hole/10/100Mbps FILTER			
.000	±0.10	SIZE: A4	UNIT: mm	PART NO.	XMH-01E-0-D9A-1-070-ABB
ANGLE	±3.00°	CHECKED BY	Ann Yang	SCALE: 1:1	PROJECTION
MANUFACTURING COPY		DATE	2010.04.25	DWG NO.	LK-RJ-WST-230
				SHEET	1 OF 3

2. PCB LAYOUT



SUGGESTED PCB LAYOUT
(TOP VIEW)

DIMENSIONAL TOLERANCE: .XX ±0.05[0.001]

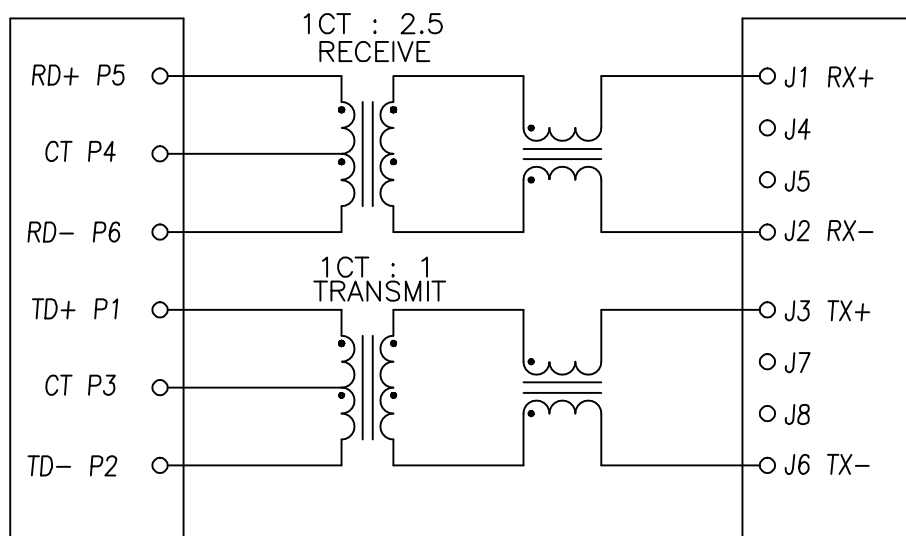
RoHS Compliant

TOLERANCE UNSPECIFIED . ±0.25 .00 ±0.13 .000 ±0.10 ANGLE ±3.00° MANUFACTURING COPY		X MULTIPLE		CONNECTIN THE INFORMATIO AGF	
TITLE: RJ45 Connectors, W/O LED, 8P, 8C,Shielded/Thru Hole/10/100Mbps FILTER		SIZE: A4		UNIT: mm	
DRAWN BY: Jim Wang		PART NO.: XMH-01E-0-D9A-1-070-ABB		SCALE: 1:1	
CHECKED BY: Ann Yang		PROJECTION:		REV.: A0	
DATE: 2010.04.25		DWG NO.: LK-RJ-WST-230		SHEET: 2 OF 3	

3. SCHEMATIC :

CONNECTOR SOLDER SIDE

RJ45 CONTACT SIDE



4. ELECTRICAL CHARACTERISTICS :

TEST NOTES:(25±5°C)

1.TR:(100KHz,0.1V);

PINS:(P5-P6):(J1-J2)=1:2.5±3%

PINS:(P1-P2):(J3-J6)=1:1±3%

2.LX:(100KHz,100mV,8mA, DC Bias)

PINS: (P5,P6),(P1,P2)=140uH MINIMUM

3.DCR:

PINS:(J1-J2),(J3-J6)= 1.2 OHMS MAXIMUM

4.HIPOT:

PINS(P5,P4,P6)TO(J1,J2)=1500VAC FOR 60 SECONDS

PINS(P1,P3,P2)TO(J3,J6)=1500VAC FOR 60 SECONDS

5.INSERTION LOSS:

-1.0dB MAXIMUM AT 0.3MHz TO 100MHz;

6.RETURN LOSS:

-20dB MINIMUM AT 1MHz TO 30MHz;

-15dB MINIMUM AT 30MHz TO 60MHz

-10dB MINIMUM AT 60MHz TO 80MHz

7.CROSS TALK:

-30dB MINIMUM AT 1MHz TO 100MHz

8.COMMON TO COMMON MODE REJECTION:

-30dB MINIMUM AT 1MHz TO 100MHz

RoHS Compliant

TOLERANCE UNSPECIFIED		X MULTIPLE		CONNECTIN THE INFORMATIO AGF			
.0	±0.38						
.00	±0.25	TITLE: RJ45 Connectors, W/O LED, 8P, 8C,Shielded/Thru Hole/10/100Mbps FILTER					
.000	±0.15	DRAWN BY	Jim Wang	SIZE:A4	UNIT: mm	PART NO.	XMH-01E-0-D9A-1-070-ABB
ANGLE	±3.00°	CHECKED BY	Ann Yang	SCALE:	1:1	PROJECTION	REV.: A0
MANUFACTURING COPY		DATE	2010.04.25	DWG NO.	LK-RJ-WST-230	SHEET	3 OF 3