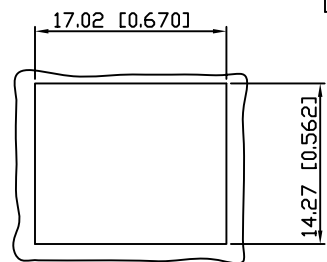
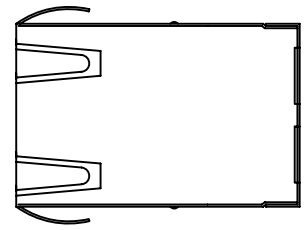


REV.	ECN. NO.	NAME	DATE
A	NEW	Bob Zou	2010/10/10

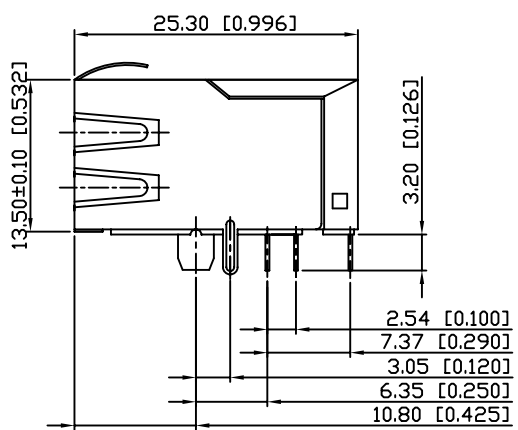
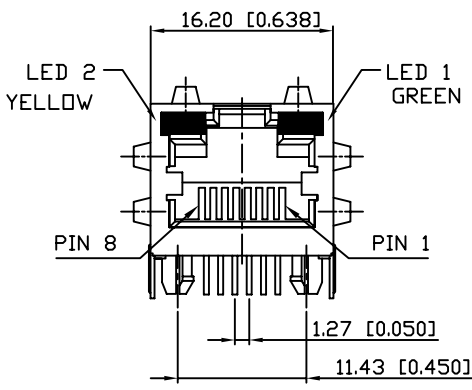
1. MECHANICAL DIMENSIONS :



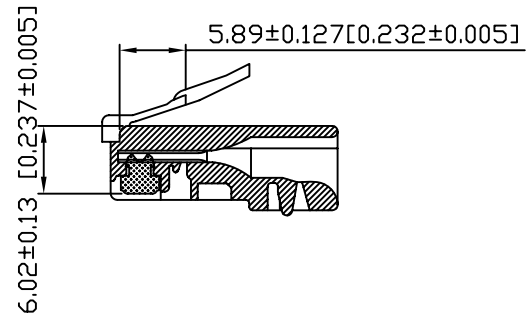
RECOMMENDED PANEL CUTOUT DIMENSION

NOTES:

- MATERIAL:
HOUSING-NYLON POLYESTER UL94V-0
MIXED GLASS FIBER.
STANDARD COLOR-BLACK
CONTACTS -0.35mm THICK PHOS-BRONZE PLATED
WITH 6u" GOLD IN CONTACT AREA, TIN IN
SOLDER AREA, AND UNDERPLATED NICKEL
IN ALL AREA.
SHIELD-0.20mm THICK COPPER ALLOY,
PLATED WITH NICKEL.
- OPERATING TEMPERATURE : 0°C~70°C
- CAVITY CONFORMS TO FCC RULES AND REGULATIONS
PART 68,SUBPART F.
- UNSPECIFIED TOLERANCE: .XX ±0.25[0.010]
.X ±0.30[0.012]



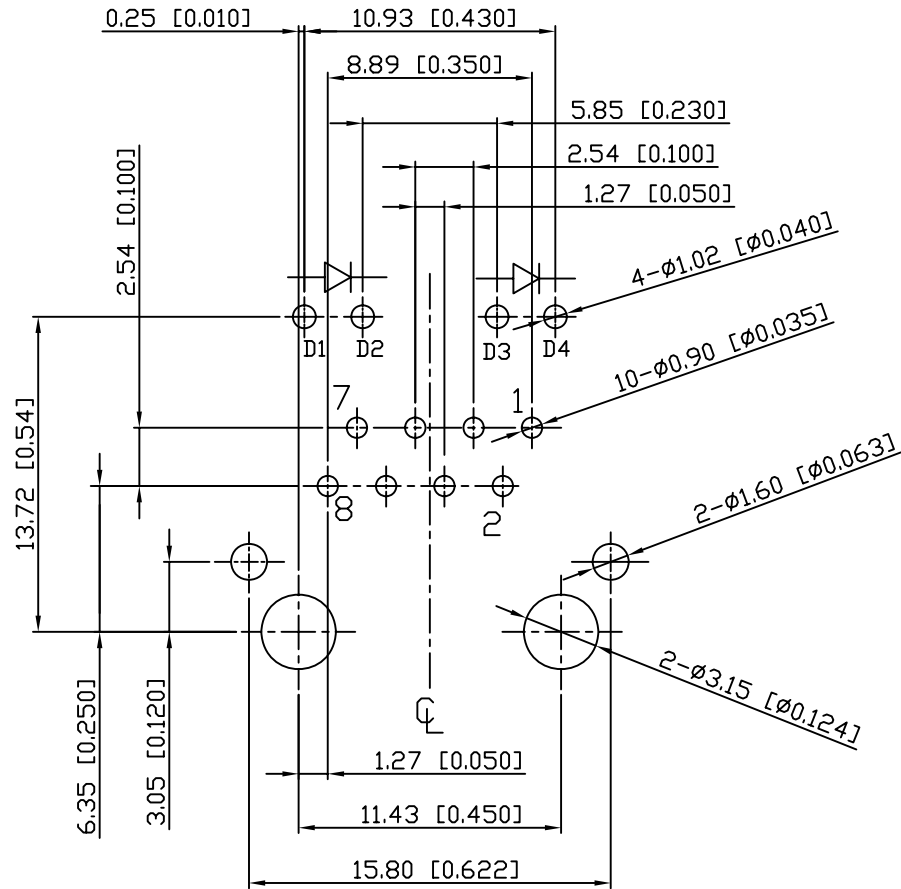
RECOMMENDED PLUG DIMENSION:



TOLERANCE UNSPECIFIED		X MULTIPLE		CONNECTING THE INFORMATION AGE	
.0	± 0.50				
.00	± 0.38	TITLE: RJ45, W/LED, with 10/100 Mbps Filter			
.000	± 0.25	8P,8C, Shielded, Thru Hole			
ANGLE	± 3°	DRAWING	Bob Zou	SIZE: A4	UNIT: mm
CUSTOMER COPY		CHECKED	Bob Zou	SCALE: FREE	PROJECTION
		APPROVED	Ipis Aseng	DWG. PATH	C/XMH-01Y-1-DA1-170
					PART NO.: XMH-01Y-1-DA1-170
					REV.: A
					SHEET: 1 of 3

REV.	ECN. NO.	NAME	DATE
A	NEW	Bob Zou	2010/10/10

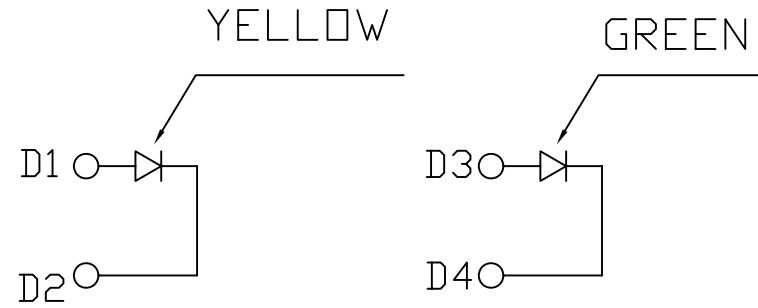
2. PCB LAYOUT :



SUGGESTED PCB LAYOUT
(TOP VIEW)

DIMENSIONAL TOLERANCE: .XX ±0.08[0.003]

3. LED CONFIGURATION :



Color	Lens Color	Vf(v) @20mA		Iv(mcd) @10mA		Viewing angle 2θ 1/2	If (mA)	Peak wave Length λP(nm)
		Min	Max	Min	Typ			
Yellow	Yellow Diffused	1.7	2.8	3.0	6.0	116	20	585
Green	Green Diffused	1.7	2.8	3.5	6.0	116	20	568

TOLERANCE UNSPECIFIED	
.0	± 0.50
.00	± 0.38
.000	± 0.25
ANGLE	± 3°
CUSTOMER	COPY

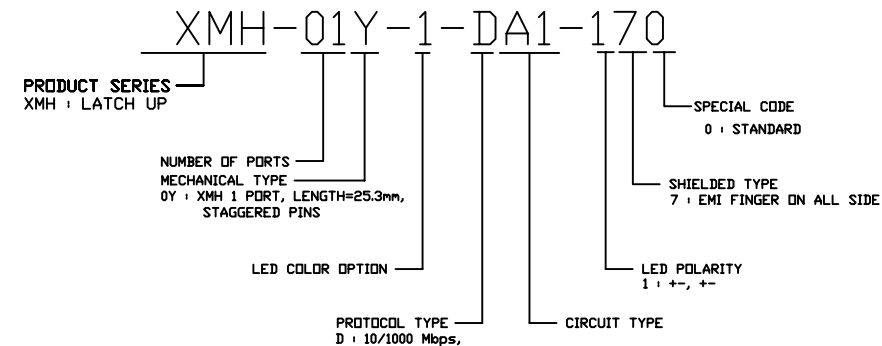
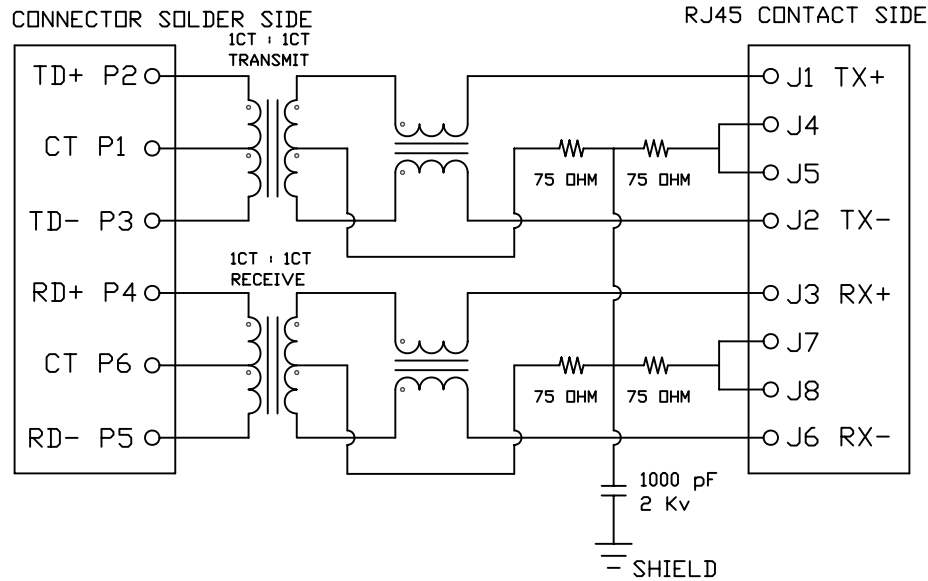
X MULTIPLE



TITLE: RJ45, W/LED, with 10/100 Mbps Filter
8P,8C, Shielded, Thru Hole

DRAWING	Bob Zou	SIZE: A4	UNIT: mm	PART NO.: XMH-01Y-1-DA1-170
CHECKED	Bob Zou	SCALE: FREE	PROJECTION	REV.: A
APPROVED	Ipls Aseng	DWG. PATH	C/XMH-01Y-1-DA1-170	SHEET: 2 of 3

4. SCHEMATIC :



5. ELECTRICAL CHARACTERISTICS :

TEST NOTES:(25±5°C)

1.TR:(100KHz,0.1V);

PINS:(P2-P3):(J1-J2)=1:1±3%

PINS:(P4-P5):(J3-J6)=1:1±3%

2.LX:(100KHz,100mV,8mA, DC Bias)

PINS: (P2,P3),(P4,P5)=350uH MINIMUM

3.DCR:

PINS:(J1-J2),(J3-J6)= 1.2 OHMS MAXIMUM

4.HIPOT:

(P2,P3)TO(J1,J2)=1500VAC FOR 60S OR 2250VDC 60S

(P4,P5)TO(J3,J6)=1500VAC FOR 60S OR 2250VDC 60S

5.INSERTION LOSS:

-1.0dB MAXIMUM AT 0.3MHz TO 100MHz;

6.RETURN LOSS:

-20dB MINIMUM AT 1MHz TO 30MHz;

-15dB MINIMUM AT 30MHz TO 60MHz

-10dB MINIMUM AT 60MHz TO 80MHz

7.CROSS TALK:

-30dB MINIMUM AT 1MHz TO 100MHz

8.COMMON TO COMMON MODE REJECTION:

-30dB MINIMUM AT 1MHz TO 100MHz

TOLERANCE UNSPECIFIED		 CONNECTING THE INFORMATION AGE		
.	± 0.50			
.0	± 0.38			
.00	± 0.25			
.000	± 0.10			
ANGLE	± 3°	TITLE: RJ45, W/LED, with 10/100 Mbps Filter		
CUSTOMER	COPY	8P,8C, Shielded, Thru Hole		
DRAWING	Bob Zou	SIZE: A4	UNIT: mm	PART NO.: XMH-01Y-1-DA1-170
CHECKED	Bob Zou	SCALE: FREE	PROJECTION	REV.: A
APPROVED	Ipis Aseng	DWG. PATH	C/XMH-01Y-1-DA1-170	SHEET: 3 of 3