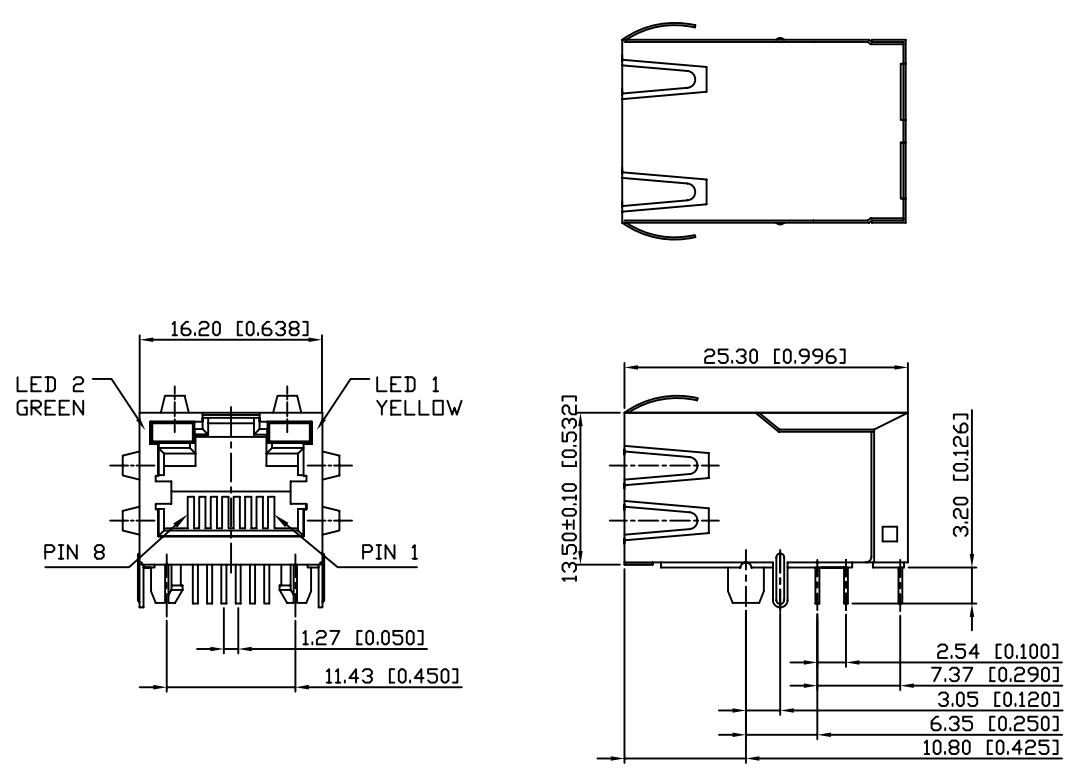


REV.	ECN. NO.	NAME	DATE
A	NEW	Bob Zou	2010/10/10

1. MECHANICAL DIMENSIONS :

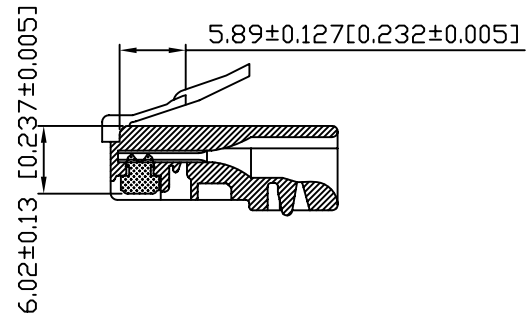


RECOMMENDED PANEL CUTOUT DIMENSION

NOTES:

- MATERIAL:
HOUSING-NYLON POLYESTER UL94V-0
MIXED GLASS FIBER.
STANDARD COLOR-BLACK
CONTACTS -0.35mm THICK PHOS-BRONZE PLATED
WITH 15u" GOLD IN CONTACT AREA, TIN IN
SOLDER AREA, AND UNDERPLATED NICKEL
IN ALL AREA.
SHIELD-0.20mm THICK COPPER ALLOY,
PLATED WITH NICKEL.
- OPERATING TEMPERATURE : 0°C~70°C
- CAVITY CONFORMS TO FCC RULES AND REGULATIONS
PART 68,SUBPART F.
- UNSPECIFIED TOLERANCE: .XX ±0.25[0.010]
.X ±0.30[0.012]

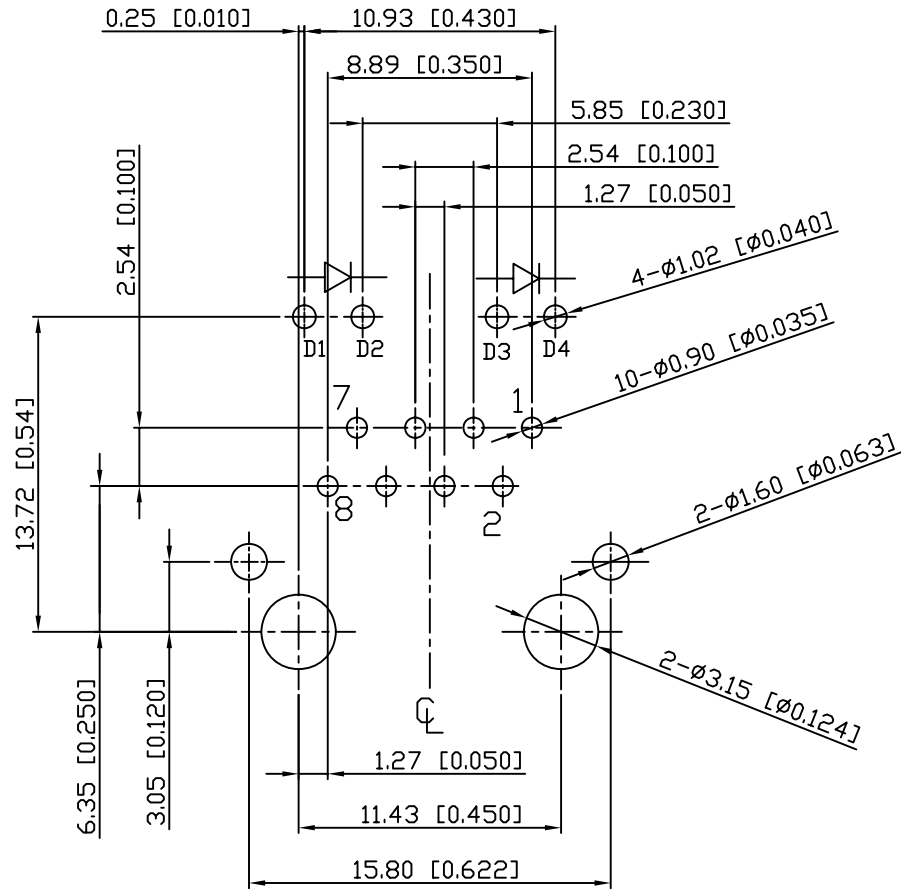
RECOMMENED PLUG DIMENSION:



TOLERANCE UNSPECIFIED		X MULTIPLE		CONNECTING THE INFORMATION AGE	
.0	± 0.50				
.00	± 0.38	TITLE: RJ45, W/LED, with 10/100 Mbps Filter			
.000	± 0.25	8P,8C, Shielded, Thru Hole			
ANGLE	± 3°	DRAWING	Bob Zou	SIZE: A4	UNIT: mm
CUSTOMER COPY		CHECKED	Bob Zou	SCALE: FREE	PROJECTION
		APPROVED	Ipis Aseng	DWG. PATH	C/XMH-01Y-4-D12-170
				PART NO.:	XMH-01Y-4-D12-170
				REV.:	A
				SHEET:	1 of 3

REV.	ECN. NO.	NAME	DATE
A	NEW	Bob Zou	2010/10/10

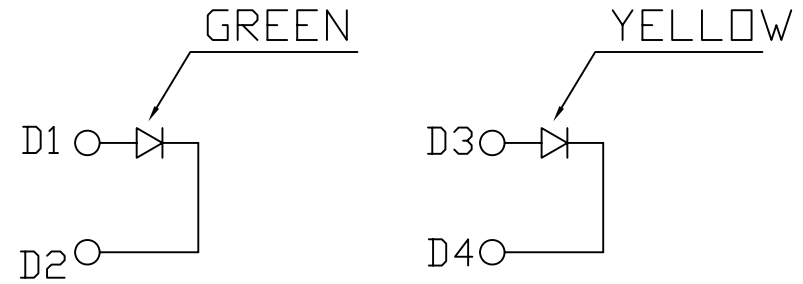
2. PCB LAYOUT :



SUGGESTED PCB LAYOUT
(TOP VIEW)

DIMENSIONAL TOLERANCE: .XX ±0.08[0.003]

3. LED CONFIGURATION :



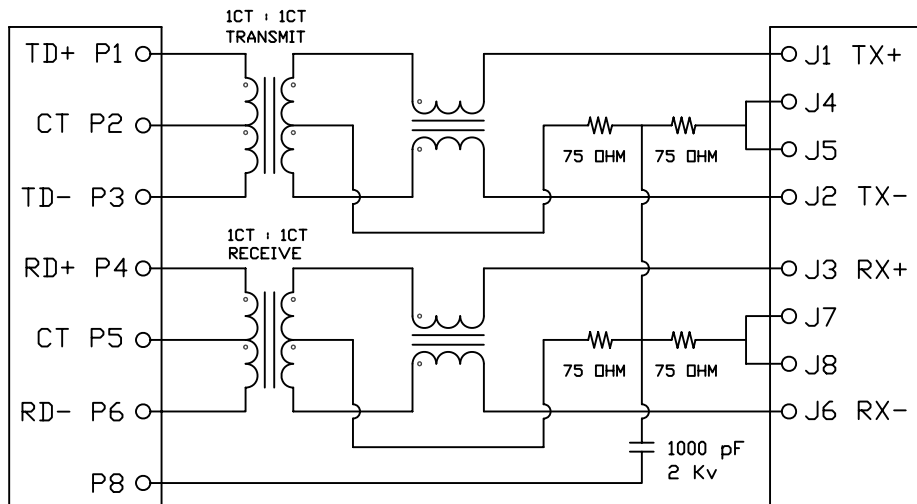
Color	Lens Color	Vf(v) @20mA		Iv(mcd) @10mA		Viewing angle 2θ 1/2	IF (mA)	Peak wave Length λP(nm)
		Min	Max	Min	Typ			
Green	Green Diffused	1.7	2.8	3.5	6.0	116	20	568

TOLERANCE UNSPECIFIED		X MULTIPLE		CONNECTING THE INFORMATION AGE			
.0	± 0.50						
.00	± 0.38	TITLE: RJ45, W/LED, with 10/100 Mbps Filter					
.000	± 0.25	8P,8C, Shielded, Thru Hole					
ANGLE	± 3°	DRAWING	Bob Zou	SIZE: A4	UNIT: mm	PART NO.:	XMH-01Y-4-D12-170
CUSTOMER COPY		CHECKED	Bob Zou	SCALE: FREE	PROJECTION	REV.:	A
		APPROVED	Ipls Aseng	DWG. PATH	C/XMH-01Y-4-D12-170	SHEET:	2 of 3

4. SCHEMATIC :

LAN CHIP SIDE

RJ CABLE SIDE



XMH-01Y-4-D12-170

PRODUCT SERIES
XMH : LATCH UP

NUMBER OF PORTS
MECHANICAL TYPE
0Y : XMH 1 PORT, LENGTH=25.3mm,
STAGGERED PINS

LED COLOR OPTION

PROTOCOL TYPE
D : 10/100 Mbps

SPECIAL CODE
0 : STANDARD

SHIELDED TYPE
7 : EMI FINGER ON ALL SIDE

LED POLARITY
1 : +-, +-

CIRCUIT TYPE

5. ELECTRICAL CHARACTERISTICS :

1.TR:(100KHz,0.1V);

PINS:(P1-P3):(J1-J2)=1:1±3%

PINS:(P4-P6):(J3-J6)=1:1±3%

2.LX:(100KHz,100mV,8mA, DC Bias)

PINS: (P1,P3),(P4,P6)=350uH MINIMUM

3.DCR:

PINS:(J1-J2),(J3-J6)= 1.2 OHMS MAXIMUM

4.HIPOT:

(P1,P3)TO(J1,J2)=1500VAC 60S OR 2250VDC 60S

(P4,P6)TO(J3,J6)=1500VAC 60S OR 2250VDC 60S

5.INSERTION LOSS:

-1.0dB MAXIMUM AT 0.3MHz TO 100MHz;

6.RETURN LOSS:

-18dB MINIMUM AT 1MHz TO 30MHz;

-15dB MINIMUM AT 30MHz TO 60MHz

-10dB MINIMUM AT 60MHz TO 80MHz

7.CROSS TALK:

-30dB MINIMUM AT 1MHz TO 100MHz

8.COMMON TO COMMON MODE REJECTION:

-30dB MINIMUM AT 1MHz TO 100MHz

TOLERANCE UNSPECIFIED

. ± 0.50
.0 ± 0.38
.00 ± 0.25
.000 ± 0.10
ANGLE ± 3°
CUSTOMER COPY

X MULTIPLE



TITLE: RJ45, W/LED, with 10/100 Mbps Filter
8P,8C, Shielded, Thru Hole

DRAWING	Bob Zou	SIZE: A4	UNIT: mm	PART NO.: XMH-01Y-4-D12-170
CHECKED	Bob Zou	SCALE: FREE	PROJECTION	REV.: A
APPROVED	Ipis Aseng	DWG. PATH	C/XMH-01Y-4-D12-170	SHEET: 3 of 3