

**2xN PoE Gigabit Stack 10/100/1000Base-T RJ45 Integrated Magnetic Connector with Power Over Contact Pairs**

**XMH YL Series Gigabit Stackable**

Page : 1/8

- Suitable CAT5 & 6 FastEthernet Cable or better UTP.
- Meet/exceeds IEEE 802.3 standard for 1000 Base-T.
- RoHS compliant.
- PoE rating: 15W, 350mA, 48V
- 2x1, 2x4, 2x6 Models with/without Integrated LEDs



Electrical Specifications @ 25°C									
Part Number	Turns Ratio (±5%)		OCL (µH Min) @ 100KHz/0.1V with 8mA DC Bias	Insertion Loss (dB Max)	Return Loss 100Ω±5Ω (dB Typ)				
	TX	RX			0.3-100MHz	30MHz	40MHz	50MHz	60MHz
XMH-YL Series	1CT:1CT	1CT:1CT	350	-1.15	-16	-14	-13.5	-13	-12

Electrical Specifications @ 25°C							
Part Number	Crosstalk (dB Typ)			Common Mode Rejection (dB Typ)			HI-POT (Vrms)
	0.3-30MHz	30-60MHz	60-100MHz	1-30MHz	30-60MHz	60-125MHz	@60MHz/1Min
XMH-YL Series	-40	-35	-30	-30	-25	-20	2250

RJ45 Durability Testing Rating & Material Specification				
Part Number	Durability	Mating Force	Shield	
			Material	Finish
XMH-YL Series	750 Insertions	5 lbs./2.268 kgs.	Brass	10-20m inches Nickel over 10-20m inches Brass

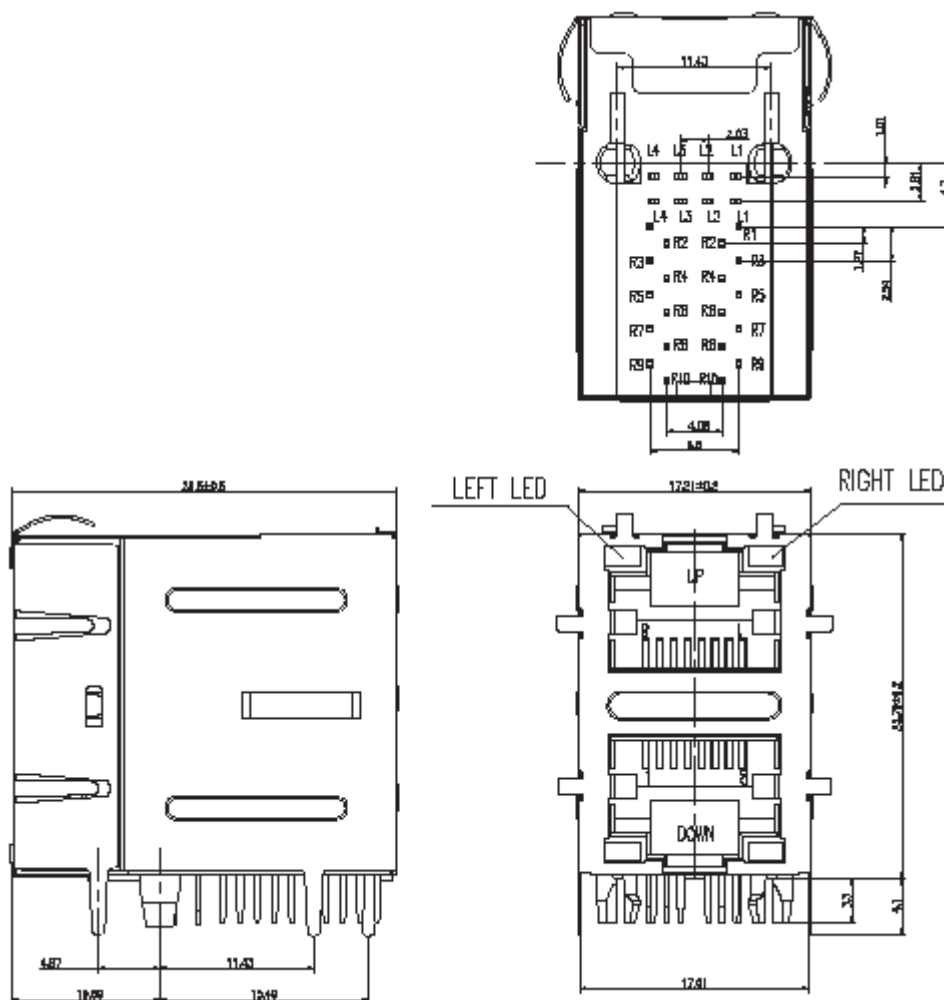
RJ45 Material Specification				
Part Number	Contact		Housing	
	Material	Plating Area	Material	Specification
XMH-YL Series	Phosphor Brass	10-20m inches Nickel over selective gold plating 6µ inches	Thermoplastic	UL 94 V-0

\* Operating temperature range: 0°C to +70C.

**2xN PoE Gigabit Stack 10/100/1000Base-T RJ45 Integrated Magnetic Connector with Power Over Contact Pairs**

**XMH YL Series Gigabit Stackable**

**MECHANICAL**



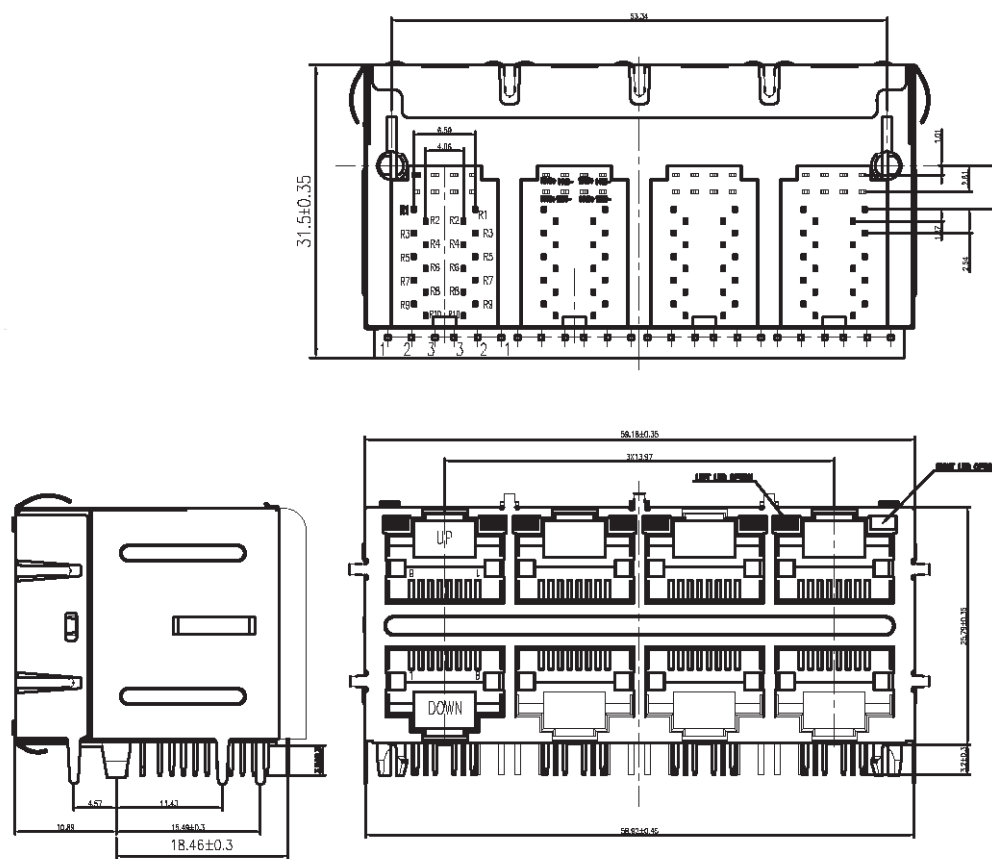
**XMH-YL5917122X1LE (2x1)**

Units: mm.  
 Tolerance: ±0.25 unless specified otherwise.

**2xN PoE Gigabit Stack 10/100/1000Base-T RJ45 Integrated Magnetic Connector with Power Over Contact Pairs**

**XMH YL Series Gigabit Stackable**

**MECHANICAL**



**XMH-YL5917222X4PLE (2x4)**

Units: mm.  
 Tolerance: ±0.25 unless specified otherwise.

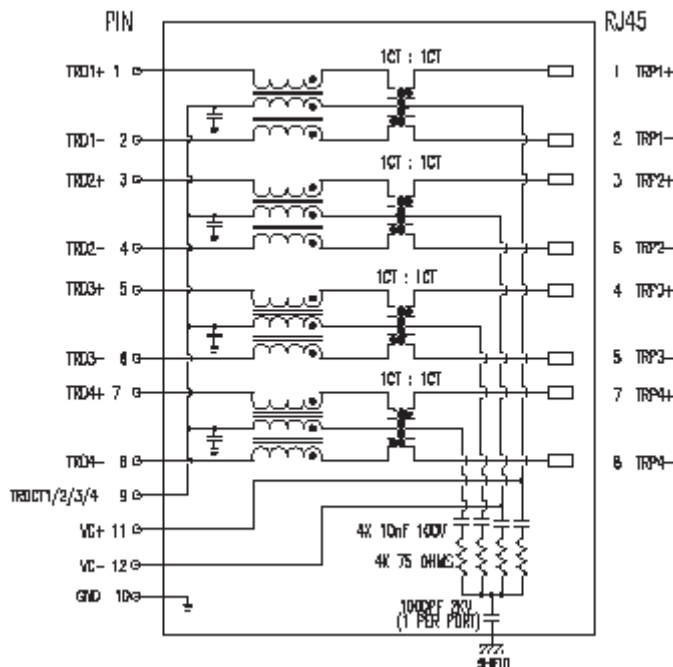


**2xN PoE Gigabit Stack 10/100/1000Base-T RJ45 Integrated Magnetic Connector with Power Over Contact Pairs**

**XMH YL Series Gigabit Stackable**

Page : 5/8

**SCHEMATIC**



**Schematic for XMH-YL5917122X1LE (2x1) XMH-YL5917222X4PLE (2x4) XMH-YL5917222X6PLE (2x6) – Call for Schematic Option for other Ethernet Chipsets**





