



# SPECIFICATION FOR APPROVAL

MARKETING GROUP	R&D GROUP	QA GROUP
ISSUED BY	CHECKED BY	QA INSPECTION
Star Yan	Weide Li	Tian Ming

## CUSTOMER

CUSTOMER APPROVAL:

APPROVAL       CONCESSIONARY       REJECTED

ISSUED BY : \_\_\_\_\_

CHECKED BY: \_\_\_\_\_

APPROVED BY: \_\_\_\_\_

COMMENTS : \_\_\_\_\_

CUSTOMER: \_\_\_\_\_

CUSTOMER PART NO: \_\_\_\_\_

SAMPLE Q'TY: \_\_\_\_\_

TITLE: Gigabit Tab UP 1X1 RJ45 CONNECTOR (Ultra Low Profile)					
PART NO. XMH-9771-B731121-756				GENERAL TOLERANCE	
DRAW	Star	DATE	2015-05-27	.X±0.25	.X±1°
CHECK	Eric	DATE	2015-05-27	.XX±0.15	.XX±0.5°
APPROVE	De	DATE	2015-05-27	.XXX±0.10	
				SCALE: 1:1	
			UNIT:MM (INCH)	SHEET: 1/6	SIZE: A4
				REV:A	

PRODUCT DRAWING (B)

	1	2	3	4	5	6	7	8
H	<b>ISSUE RECORD</b>							
	REV	DESCRIPTION OF CHANGE			REVIEWED BY	APPROVED BY	ISSUE DATE	
G	A	FIRST ISSUE			Star	De	2015-05-27	
F								
E								
D								
C								
B								
A								

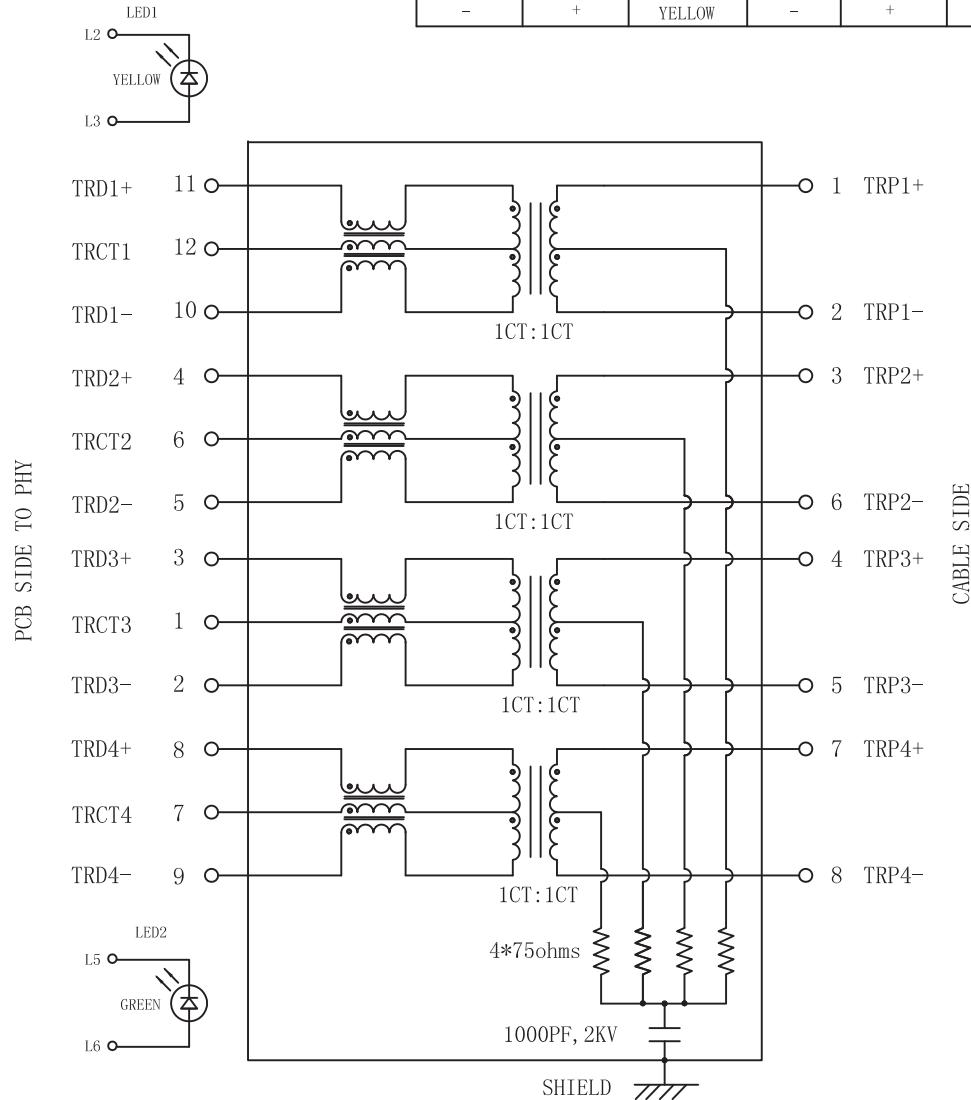


TITLE: Gigabit Tab UP 1X1 RJ45 CONNECTOR (Ultra Low Profile)								
PART NO. XMH-9771-B731121-756				GENERAL TOLERANCE			UNIT: MM (INCH)	SIZE: A4
DRAW	Star	DATE	2015-05-27	.X±0.25	.X±1°	SCALE: 1:1	SHEET: 2/7	REV: A
CHECK	Eric	DATE	2015-05-27	.XX±0.15	.XX±0.5°			
APPROVE	De	DATE	2015-05-27	.XXX±0.10				

PRODUCT DRAWING (B)

**SCHEMATIC:**

LED 1 POLARITY			LED 2 POLARITY		
L2	L3	COLOR	L5	L6	COLOR
-	+	YELLOW	-	+	GREEN



**ELECTRICAL CHARACTERISTICS @ 25°C**

**TURN RATIO:**

- (P11-P10):(J1-J2)=1:1 ±3%.
- (P4-P5):(J3-J6)=1:1 ±3%.
- (P3-P2):(J4-J5)=1:1 ±3%.
- (P8-P9):(J7-J8)=1:1 ±3%.

**PRIMARY INDUCTANCE:**

350uH MIN.@100KHz,100mVRMS,8mA DC BIAS.

**HI-POT TEST:**

PCB SIDE TO CABLE SIDE 2250 V DC.

**Insertion Loss:**

- 0.3MHz~1MHz -1.1dB MAX.
- 1MHz~65MHz -0.8dB MAX.
- 65MHz~100MHz -1.0dB MAX.
- 100MHz~125MHz -1.5dB MAX.

**Return Loss: (Load:100 ohms)**

- 1MHz~40 MHz -18dB MIN
- 40MHz~100 MHz -12+20LOG(F/80)dB MIN

**Cross Talk:**

- 1MHz~40 MHz -30dB MIN.
- 40MHz~100 MHz -33+20log(F/50)dB MIN.

**CM to CM Rejection:**

- 1MHz~100 MHz -30dB MIN.

**CM to DM Rejection:**

- 1MHz~100 MHz -35dB MIN.

**LED ELECTRICAL / OPTICAL CHARACTERISTICS:**

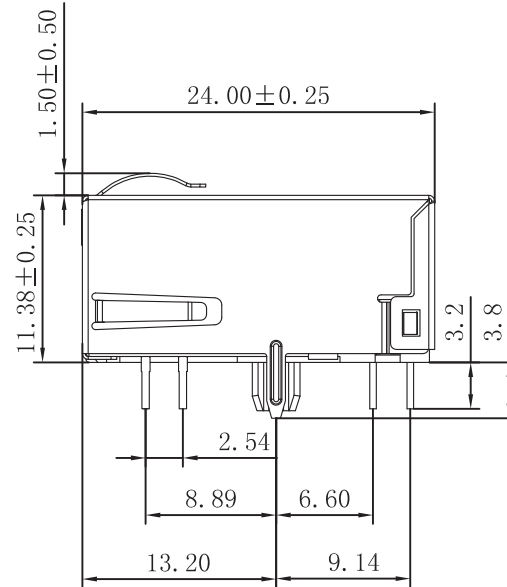
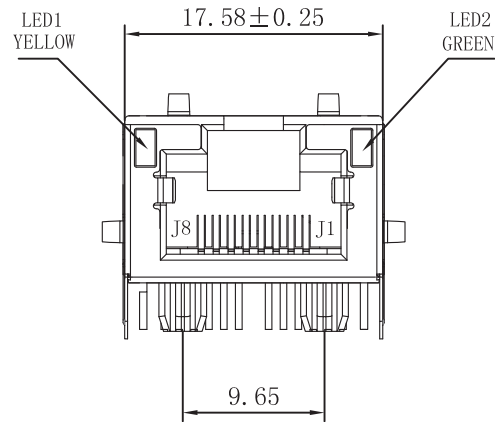
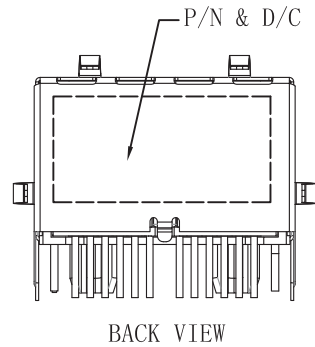
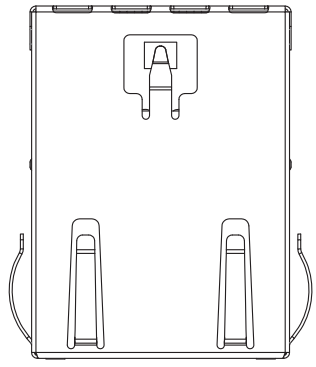
COLOR	IF	VF (FORWARD VOLTAGE)	λ D DOMINANT WAVELENGTH
GREEN	20mA	2.2 V	565nm
YELLOW	20mA	2.1 V	590nm

TITLE: Gigabit Tab UP 1X1 RJ45 CONNECTOR (Ultra Low Profile)								
PART NO. XMH-9771-B731121-756				GENERAL TOLERANCE			UNIT:MM (INCH)	SIZE: A4
DRAW	Star	DATE	2015-05-27	.X±0.25	.X±1°	SCALE: 1:1	SHEET: 3/7	REV:A
CHECK	Eric	DATE	2015-05-27	.XX±0.15	.XX±0.5°			
APPROVE	De	DATE	2015-05-27	.XXX±0.10				

PRODUCT DRAWING



MECHANICAL DIMENSION



1. MATERIALS AND FINISH

HOUSING: GLASS FILED POLYESTER UL94V-0 PANTONE BLACK  
 CONTACT: PHOSPHOR BRONZE T=0.35MM FLAT PIN  
 PLATING: 6 u" GOLD PLATING OVER NICKEL  
 SHIELD: 0.20MM THICKNESS COPPER ALLOY WITH NICKEL PLATED  
 PCB RETENTION FRET-SOLDER: 1LB MIN.  
 SIGNAL PINS & LED PINS: 100U" TIN(SN)PLATING FINISH MIN OVER NICKEL(RoHS6)

2. MECHANICAL CHARACTERISTICS

DURABILITY: 750(MODULAR JACK) INSERTION/PLUG DIMENSION CYCLES

3. ELECTRICAL

CONTACT RESISTANCE: 30 MILLIOHMS MAX.  
 INSULATION RESISTANCE: 500 MEGOHMS MIN.  
 DIELECTRIC STRENGTH: 2250V DC, 1MIN.

4. ENVIRONMENTAL

OPERATING TEMPERATURE: 0°C ~ +70°C  
 STORAGE TEMPERATURE: -40°C ~ +85°C

5. DESIGN AND CONSTRUCTION

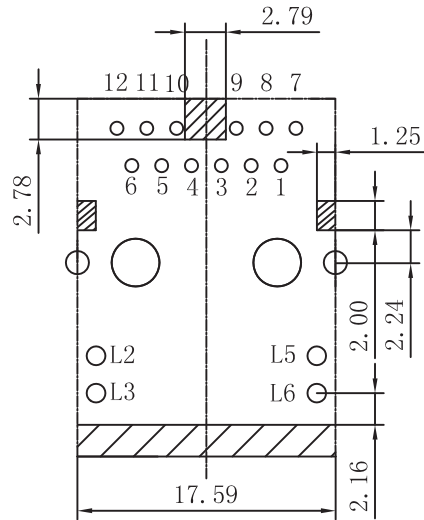
COMPLIES WITH IEEE802.3 STANDARDS AND ALL 10/100/1000 ETHERNET SPECIFICATIONS  
 MATES WITH MODULAR PLUG CONFORMING TO FCC PART 68 SUBPART F.

TITLE: Gigabit Tab UP 1X1 RJ45 CONNECTOR (Ultra Low Profile)								
PART NO. XMH-9771-B731121-756				GENERAL TOLERANCE			UNIT: MM (INCH)	SIZE: A4
DRAW	Star	DATE	2015-05-27	.X ± 0.25	.X ± 1°	SCALE: 1:1	SHEET: 4/7	REV: A
CHECK	Eric	DATE	2015-05-27	.XX ± 0.15	.XX ± 0.5°			
APPROVE	De	DATE	2015-05-27	.XXX ± 0.10				

PRODUCT DRAWING (B)



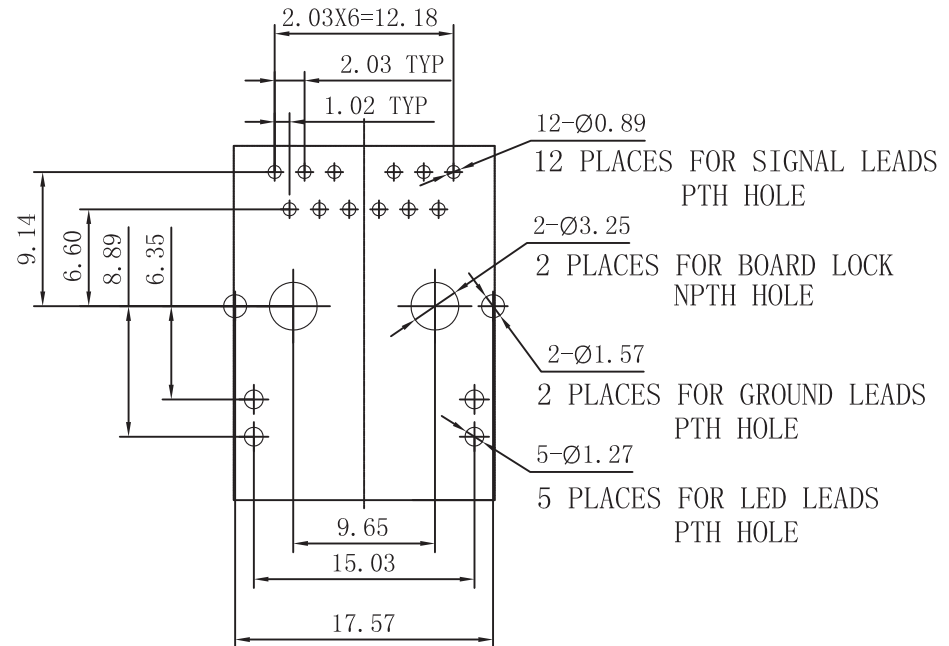
RECOMMENDED PCB LAYOUT :



PIN-OUT INFORMATION


NOTES:

THE SHADED AREA ON THE CUSTOMER BOARD ARE RECOMMENDED TO BE CLEAR OFF ANY VIA HOLE OR COMPONENT PAD.



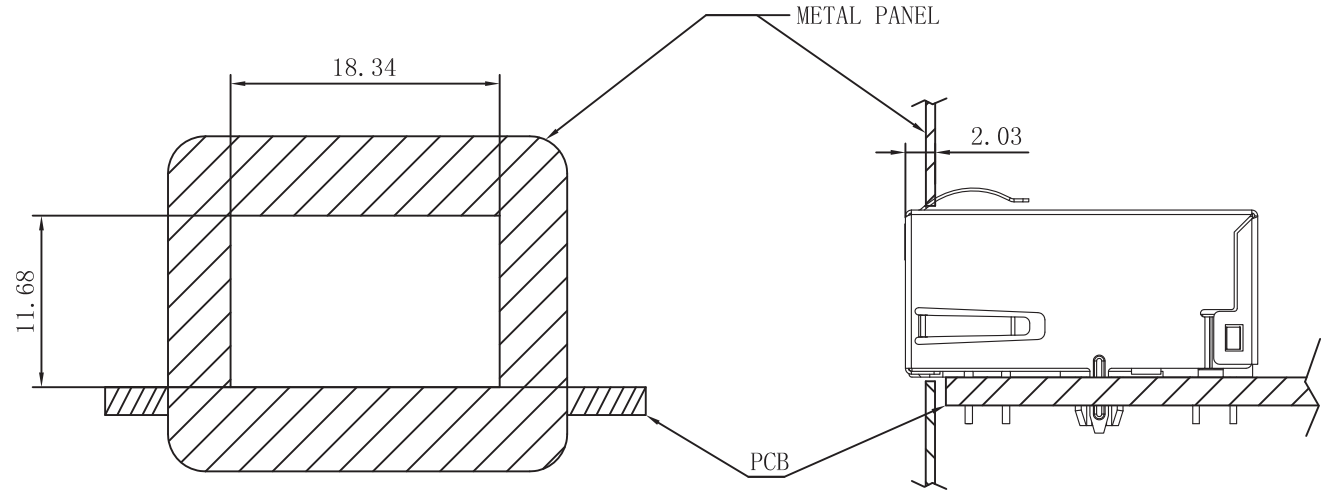
RECOMMENDED PCB FOOTPRINT

COMPONENT SIDE VIEW

TITLE: Gigabit Tab UP 1X1 RJ45 CONNECTOR (Ultra Low Profile)								
PART NO. XMH-9771-B731121-756								GENERAL TOLERANCE
DRAW	Star	DATE	2015-05-27	.X±0.25	.X±1°	SCALE: 1:1	SHEET: 5/7	REV:A
CHECK	Eric	DATE	2015-05-27	.XX±0.15	.XX±0.5°			
APPROVE	De	DATE	2015-05-27	.XXX±0.10				




SUGGESTED PANEL OPENING



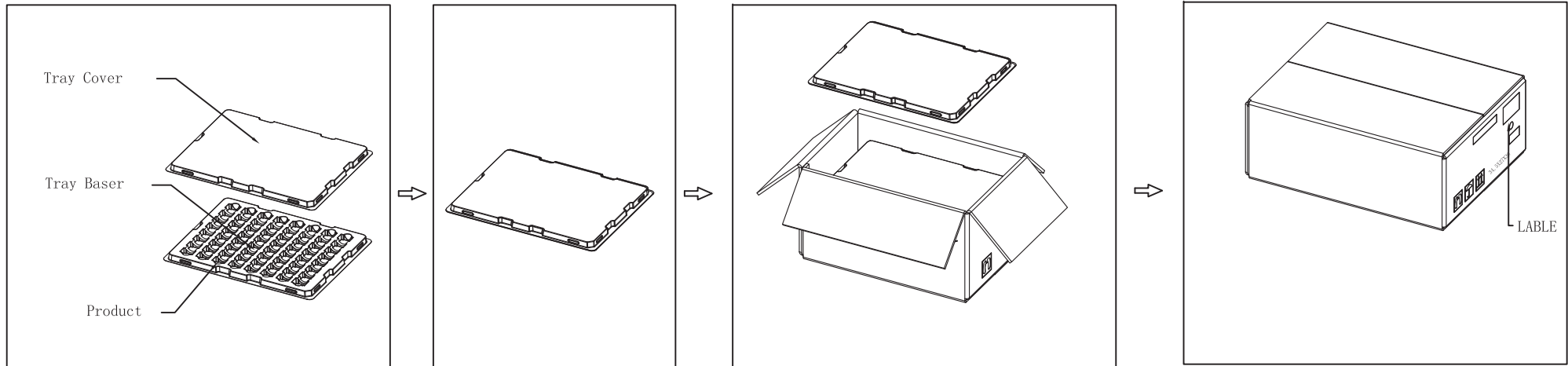
NOTE:

THE DISTANCE OF PANEL INSIDE SURFACE RELATIVE TO FRONT SURFACE OF PART IS ONLY A SUGGESTION.  
 IN CASE THIS DISTANCE IS DIFFERENT, THE REQUIRED PANEL OPENING DIMENSIONS CHANGE ACCORDINGLY.

TITLE: Gigabit Tab UP 1X1 RJ45 CONNECTOR (Ultra Low Profile)						
PART NO. XMH-9771-B731121-756						GENERAL TOLERANCE
DRAW	Star	DATE	2015-05-27	.X±0.25	.X±1°	SCALE: 1:1 SHEET: 6/7 REV:A
CHECK	Eric	DATE	2015-05-27	.XX±0.15	.XX±0.5°	
APPROVE	De	DATE	2015-05-27	.XXX±0.10		
				UNIT:MM (INCH)	SIZE: A4	

PRODUCT DRAWING (B)

PACKAGE INFORMATION AND LABLE



PACKING QUANTITY : 70 PCS FINISHED GOODS PER TRAY  
 14 TRAYS (980 PCS FINISHED GOODS) PER CARTON BOX

TITLE: Gigabit Tab UP 1X1 RJ45 CONNECTOR (Ultra Low Profile)							UNIT:MM (INCH)	SIZE: A4
PART NO. XMH-9771-B731121-756							GENERAL TOLERANCE	
DRAW	Star	DATE	2015-05-27	.X±0.25	.X±1°	SCALE: 1:1	SHEET: 6/6	REV:A
CHECK	Eric	DATE	2015-05-27	.XX±0.15	.XX±0.5°			
APPROVE	De	DATE	2015-05-27	.XXX±0.10				

PRODUCT DRAWING (B)