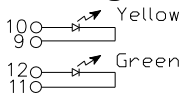


SINGLE RJ45 CONNECTOR MODULE WITH 10/100 BASE-TX MAGNETICS AND LEDS

XMH-J1A9211TSAE-ENP

Page : 1/4

- Suitable for CAT 5 & 6 Fast Ethernet Cable or better UTP.
- Meets or exceeds IEEE 802.3 standard for 100 Base-T.
- 350 μ H minimum OCL with 8 mA bias current.
- Minimum 1500 Vrms isolation per IEEE 802.3 requirement.
- All materials are RoHS and UL94-V0 compliant.
- RoHS peak solder rating 260°C.
- Meet EN60950-1 basic insulation requirement.
- Recommended panel
- Surge Protection Device Available.
- With epoxy sealing up the gap between plastic housing and metal housing.



Part Number	9,10 (Right Led)	11,12 (Left Led)
2	Yellow	Green

Electrical Specifications @ 25°C

Part Number	Turns Ratio ($\pm 5\%$)		Insertion Loss (dB Max)	Return Loss 100 $\Omega \pm 5\Omega$ (dB Typ)		
	TX	RX		1-30MHz	30-60MHz	60-80MHz
XMH-J1A9211TSAE-ENP	1CT : 1CT	1CT : 1CT	-1.2	-16	-12	-10

Electrical Specifications @ 25°C

Part Number	Crosstalk (dB Typ)	Common Mode Rejection (dB Typ)	HI-POT (Vrms)
	1-100MHz		
XMH-J1A9211TSAE-ENP	-30	-30	1500

RJ45 Durability Testing Rating & Material Specification

Part Number	Durability	Mating Force	Shield	
			Material	Finish
XMH-J1A9211TSAE-ENP	750 Insertions	5 lbs./2.268 kgs.	Brass	10-20m inches Nickel over 10-20m inches Brass

RJ45 Material Specification

Part Number	Contact		Housing	
	Material	Plating Area	Material	Specification

SINGLE RJ45 CONNECTOR MODULE WITH 10/100 BASE-TX MAGNETICS AND LEDS

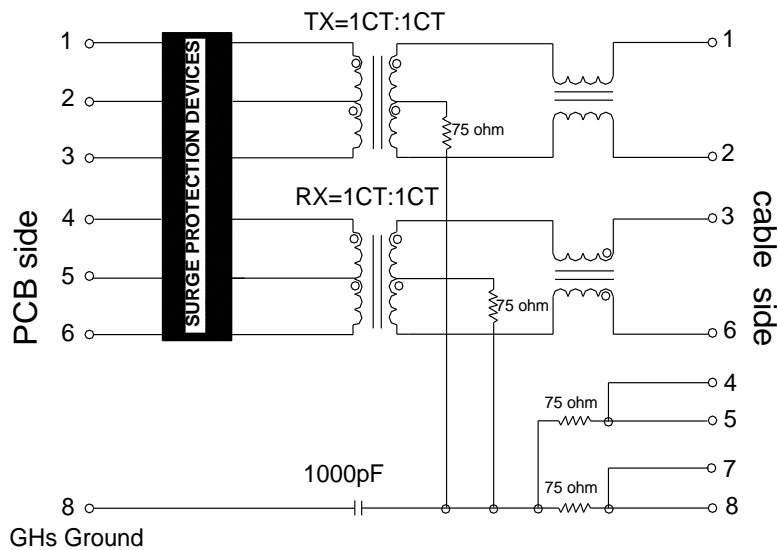
XMH-J1A9211TSAE-ENP

Page : 2/4

XMH-J1A9211TSAE-ENP	Phosphor Brass	10-20m inches Nickel over selective gold plating 6μ inches	Thermoplastic	UL 94 V-0
---------------------	----------------	--	---------------	-----------

* Operating temperature range: -40°C to +85°C. Storage temperature range: -40°C to +85°C.

SCHEMATIC

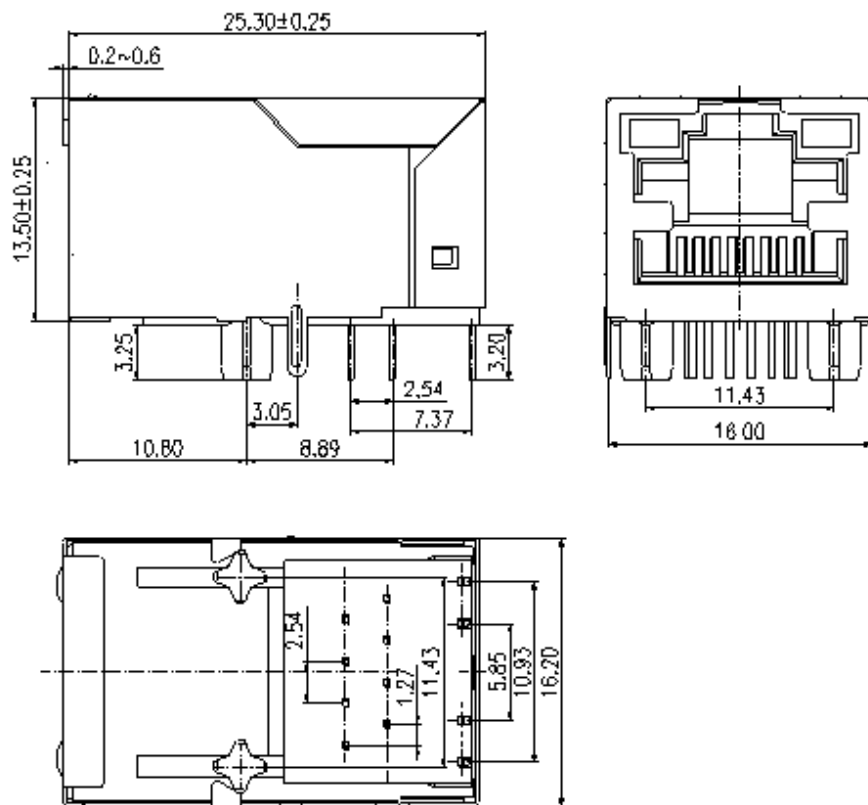


SINGLE RJ45 CONNECTOR MODULE WITH 10/100 BASE-TX MAGNETICS AND LEDS

XMH-J1A9211TSAE-ENP

Page : 3/4

MECHANICAL



Units: mm. Tolerance: ± 0.25 unless specified otherwise.

SINGLE RJ45 CONNECTOR MODULE WITH 10/100 BASE-TX MAGNETICS AND LEDS

XMH-J1A9211TSAE-ENP

Page : 4/4

PCB LAYOUT

