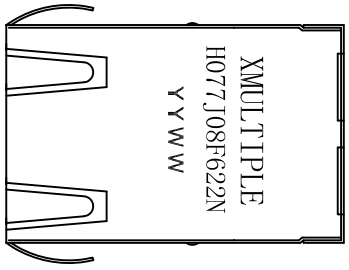
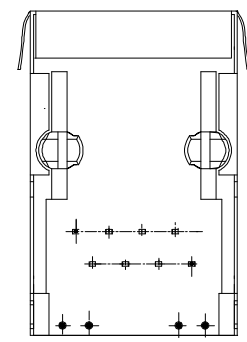
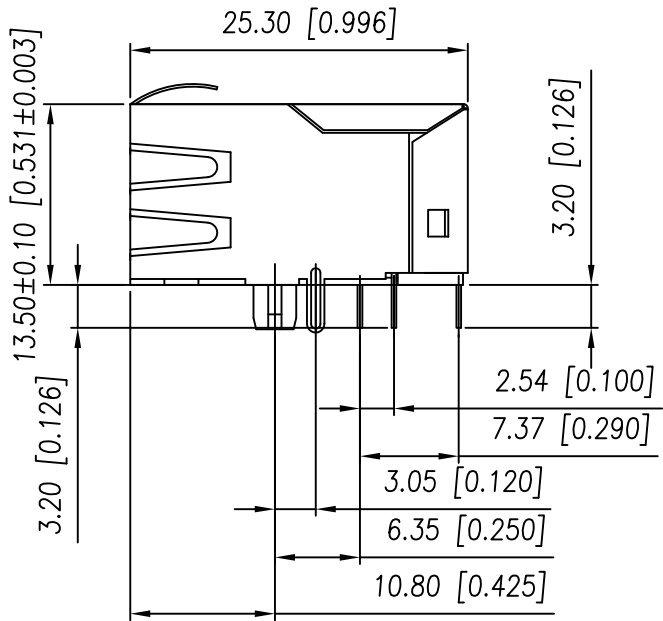
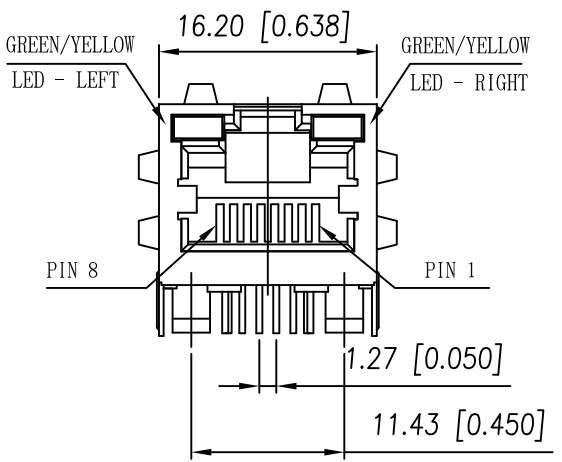


1 2 3 4 5 6 7 8

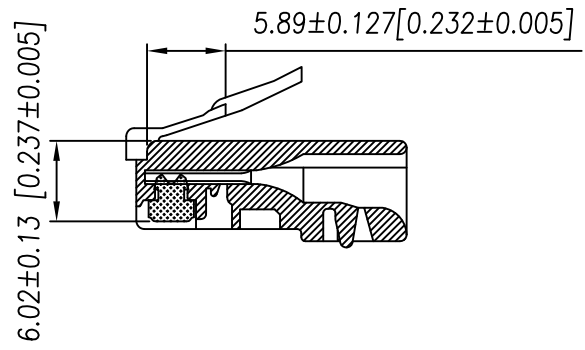
MECHANICAL DIMENSIONS :



PART NO:  
 XMH-RML-077J-08F6-22-N



RECOMMENED PLUG DIMENSION:



TOLERANCE UNSPECIFIED

.0	±0.25
.00	±0.10
.000	±0.05
ANGLE	±3.00°
MANUFACTURING	COPY

RoHS Compliant

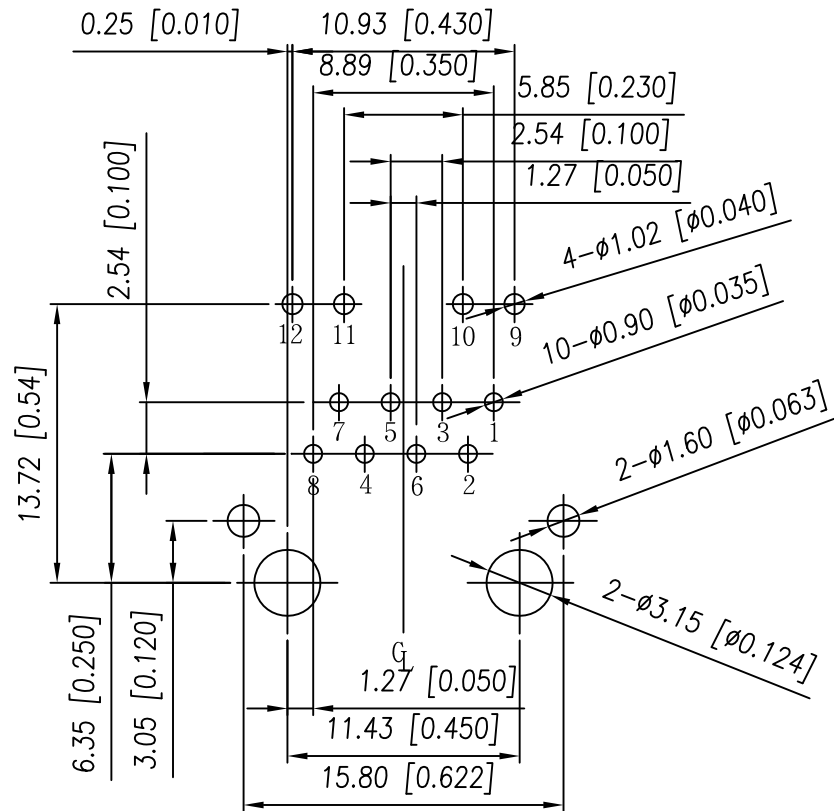
THIS DRAWING IS A CONTROLLED DOCUMENT.		G/NO:	
TITLE: RJ45 *1port Connectors,Shielded,With LED,10/100Mbps Filter		DWG NO: XMH-RML-077J-08F6-22-N	
PART NO: XMH-RML-077J-08F6-22-N		DRAWN: JUNE	
		CHKD: Michael	
		DATE: 2012/11/30	
UNIT mm[inch ]	SHEET 1 of 3	REV 01	

1 2 3 4 5 6 7 8

A  
B  
C  
D  
E  
F

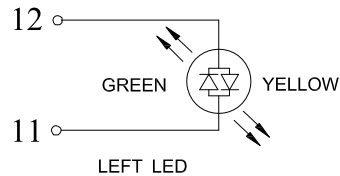
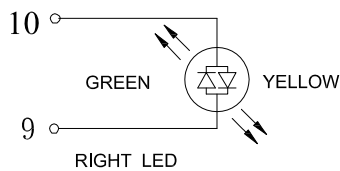
A  
B  
C  
D  
E  
F

# PCB LAYOUT



SUGGESTED PCB LAYOUT (TOP VIEW)

DIMENSIONAL TOLERANCE: .XX ±0.05[0.001]



TOLERANCE UNSPECIFIED	
.0	±0.25
.00	±0.10
.000	±0.05
ANGLE	±3.00°
MANUFACTURING	COPY

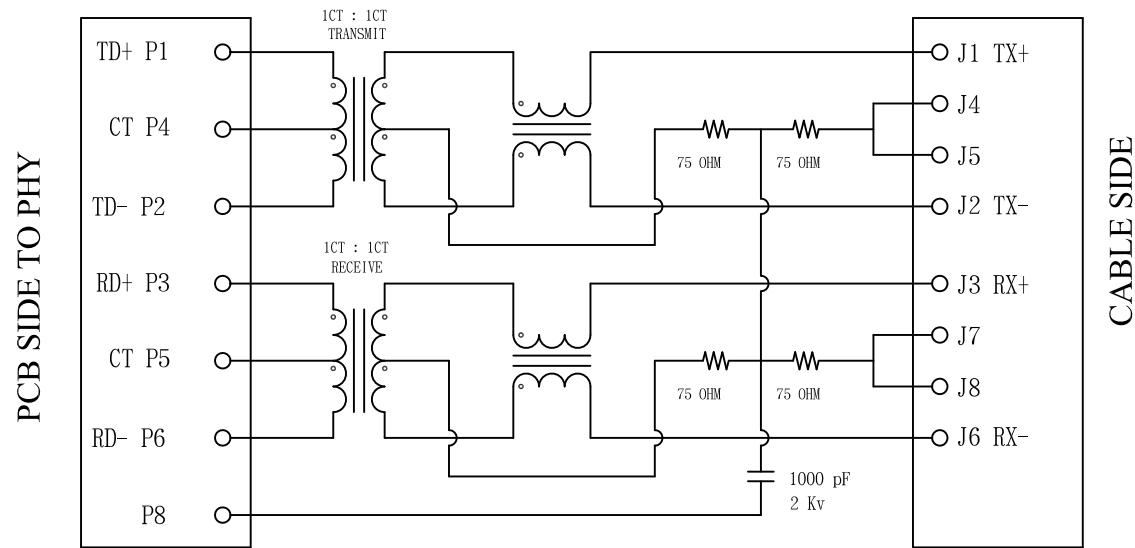
## Feature:

- Complies with IEEE standards and all 10/100Mbps Ethernet specifications including 350uH with 8mA DC bias
- Intergrated Mag-modular design provides higher reliability and conserves minimizing PCB space
- Housing: Nylon Polyester UL 94V-0
- Contact :Phosphor Bronze C5191,Thickness=0.35mm plated Nickel 30u" Min, Gold plated on content area 6u" Min
- Input Terminal : Brass ,Thickness=0.35mm  
Finish : 120m' min Tin over 50m' min Nickel
- Metal shielding: Copper alloy with Nickel plated(C2680), Thickness=0.20mm Ni 30u" Min
- Different color of LEDs option available
- Operating temperature: -40°C to +85°C
- Storage temperature: -40°C to +85°C

RoHS Compliant

X MULTIPLE		CONNECTING THE INFORMATION AGE	
Xmultiple Technologies, Inc.1060 Los Angeles Avenue Simi Valley, CA 93065		G/NO:	
THIS DRAWING IS A CONTROLLED DOCUMENT.		DWG NO: XMH-RML-077J-08FG-22-X	
TITLE: RJ45 *1port Connectors,Shielded,With LED,10/100Mbps Filter		DRAWN: JUNE	
PART NO: XMH-RML-077J-08FG-22-N		CHKD: Michael	
	UNIT	SHEET	REV
	mm[inch ]	2 of 3	01
DATE: 2012/11/30			

## SCHMATIC :



## Electrical Specifications: (25°C)

1. Turns Ratio: TX & Rx= 1:1 $\pm$ 5%	4. Common Mode Rejection: @1~100MHz: -30dB Min @200MHz: -20dB Min
2. Insertion Loss: @1~80MHz : -1.0dB Max @ 100MHz:-1.5dB Max	5. Crosstalk: @1~100MHz : -35dB Min
3. Return Loss: @1~30MHz : -20dB Min @ 60~80MHz : -12dB Min	6. OCL: @100KHz, 0.1V 8mADC : 350uH Min
	7. Hi-Pot : 1500V AC, 1mA, 60Sec

RoHS Compliant

<b>X</b> MULTIPLE		CONNECTING THE INFORMATION AGE	
Xmultiple Technologies, Inc. 1060 Los Angeles Avenue Simi Valley, CA 93065		G/NO:	
THIS DRAWING IS A CONTROLLED DOCUMENT.		DWG NO: XMH-RML-077J-08F6-22-N	
TITLE: RJ45 *1port Connectors,Shielded,With LED,10/100Mbps Filter		DRAWN: JUNE	
PART NO: XMH-RML-077J-08F6-22-N		CHKD: Michael	
		UNIT mm[inch ]	SHEET 3 of 3
		REV 01	DATE: 2012/11/30