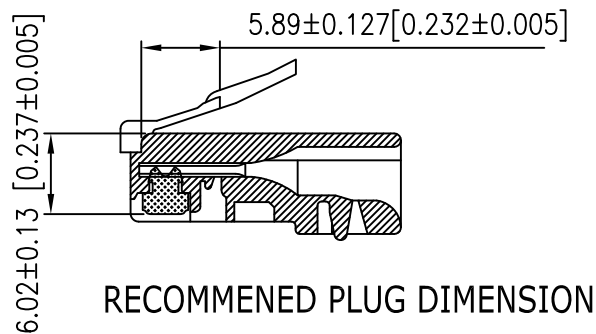
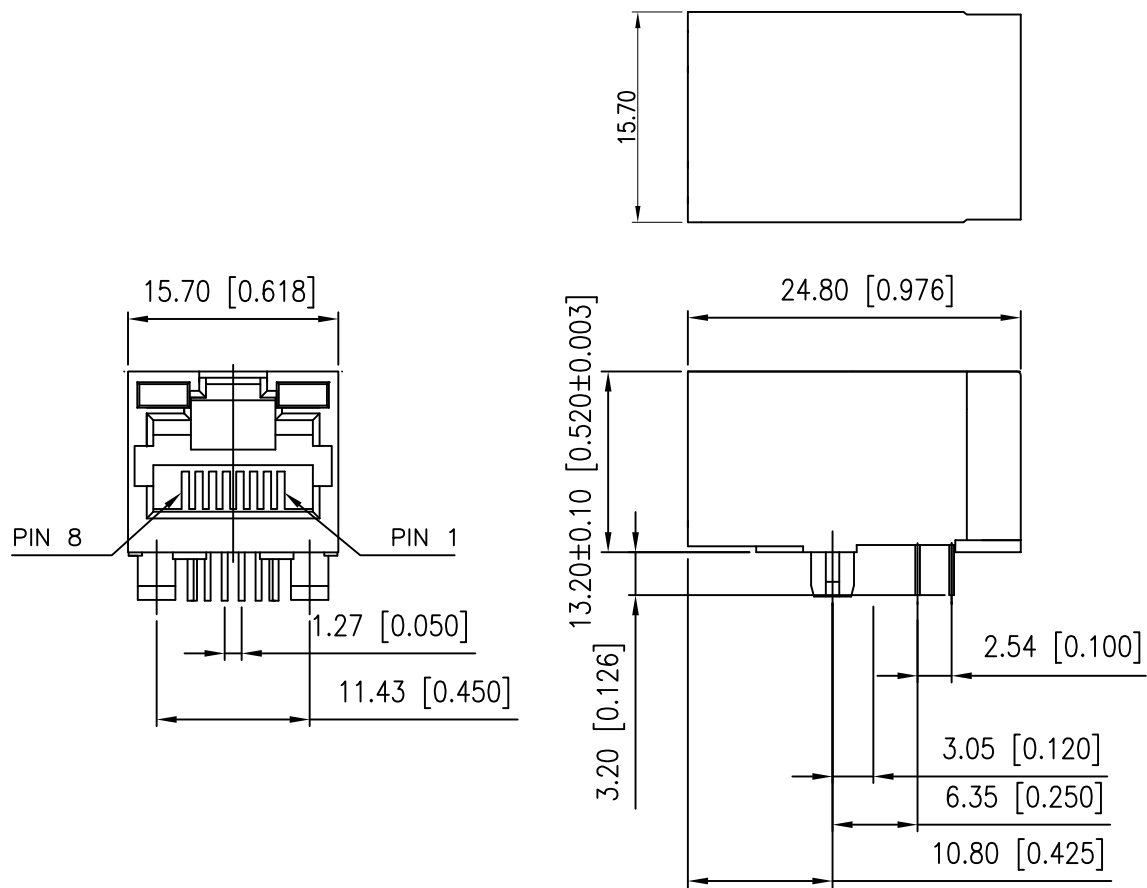


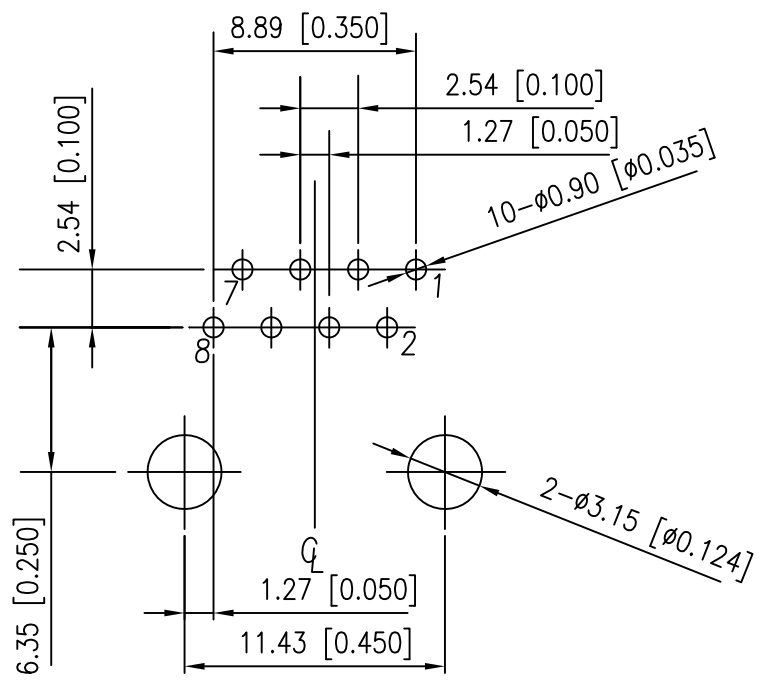
PART NO:
 XMH-RML-D22-08W0-NL-AM1



TOLERANCE UNSPECIFIED

.0	±0.38
.00	±0.25
.000	±0.10
ANGLE	±3.00°

MANUFACTURING COPY



SUGGESTED PCB LAYOUT (TOP VIEW)
 DIMENSIONAL TOLERANCE: .XX ±0.05[0.001]

RoHS Compliant

		CONNECTING THE INFORMATION AGE	
		Xmultiple Technologies, Inc. 1060 Los Angeles Avenue Simi Valley, CA 93065	
THIS DRAWING IS A CONTROLLED DOCUMENT.		G/NO:	
TITLE: RJ45 Connectors, W/O LED, Unshielded/Thru Hole/10/100Mbps /FILTER		DWG NO: XMH-RML-D22-08W0-NL-AM1	
PART NO: XMH-RML-D22-08W0-NL-AM1		DRAWN: June	
		UNIT	SHEET
		mm[inch]	1 of 2
		REV	01
		DATE:	2013/4/12

Feature:

- . Complies with IEEE 802.3 standards and all 10/100M Ethernet specifications including 350uH with 8mA DC bias
- . Intergrated Mag-modular design provides higher reliability and conserves minimizing PCB space
- . Housing: Thermoplastic PBT UL94V0 rated, Color-Black
- . Contact :Phosphor Bronze C5191, Thickness=0.35mm plated Nickel 30u" Min, Gold plated on content area 6u" Min
- . Input Terminal : Brass ,Thickness=0.35mm
- . Finish : 120m" min Tin over 50m" min Nickel
- . Different color of LEDs option available
- . Operating temperature: 0°C to +70 °C
- . Storage temperature: -40 °C to +85 °C

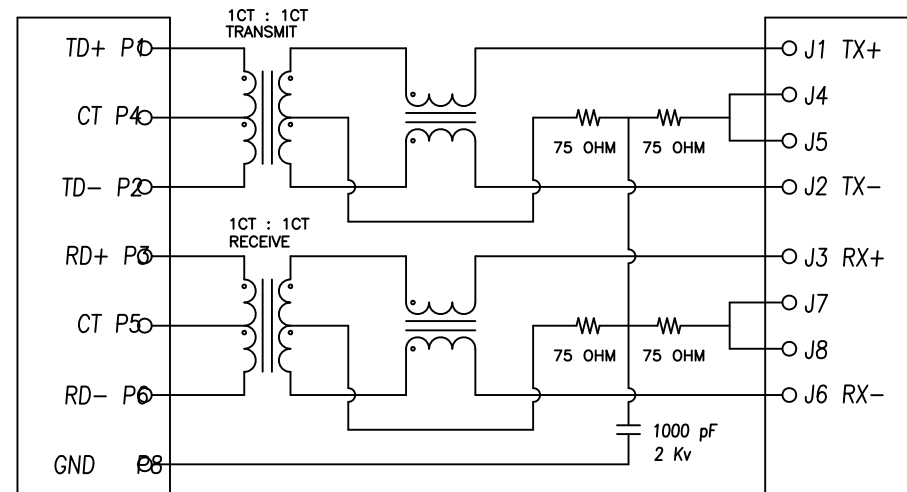
Electrical Specifications: (25 °C)

1. Turns Ratio: @50KHz, 0.1V: 1 : 1±3%	4. Common Mode Rejection: @1~100MHz: -30dB Min
2. Insertion Loss: @1~80MHz: -1.0dB Max @100MHz: -1.2dB Max	5. Crosstalk: @1~100MHz: -35dB Min
3. Return Loss: @1~30MHz: -20dB Min @60~80MHz: -12dB Min	6. OCL: @100KHz, 0.1V 8mADC : 350uH Min
	7. Hi-Pot : 1200VAC, 1mA, 1Sec

SCHMATIC

CONNECTOR SOLDER SIDE

RJ45 CONTACT SIDE



RoHS Compliant

X MULTIPLE			CONNECTING THE INFORMATION AGE	
Xmultiple Technologies, Inc. 1060 Los Angeles Avenue Simi Valley, CA 93065				G/NO:
THIS DRAWING IS A CONTROLLED DOCUMENT.				DWG NO: XMH-RML-D22-08W0-NL-AM1
TITLE: RJ45 Connectors, W/O LED, Unshielded/Thru Hole/10/100Mbps /FILTER				DRAWN:
PART NO: XMH-RML-D22-08W0-NL-AM1				CHKD:
		UNIT	SHEET	REV
mm[inch]		2 of 2	01	DATE: 2013/4/12