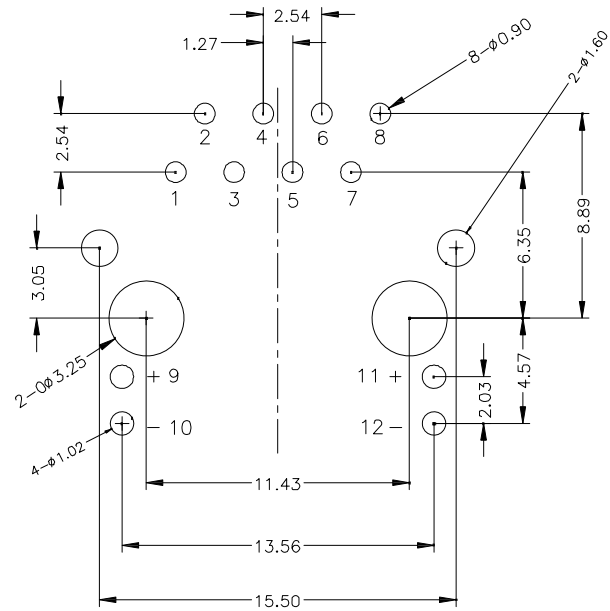
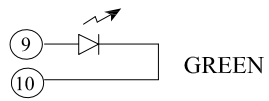


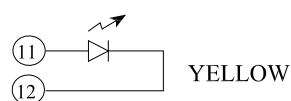
MECHANICAL DIMENSIONS :



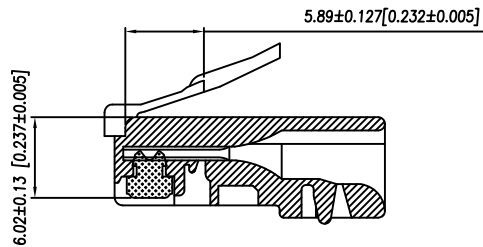
SUGGESTED PCB LAYOUT COMPONENT SIDE SHOWN



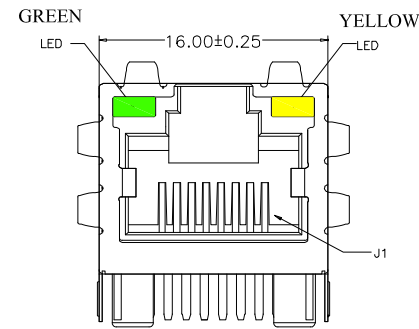
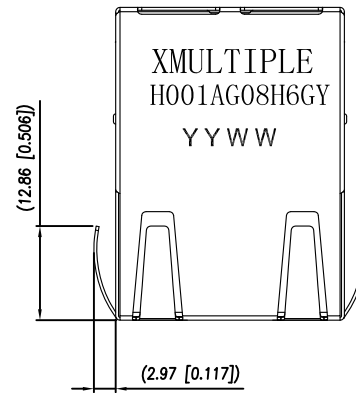
LEFT LED



RIGHT LED

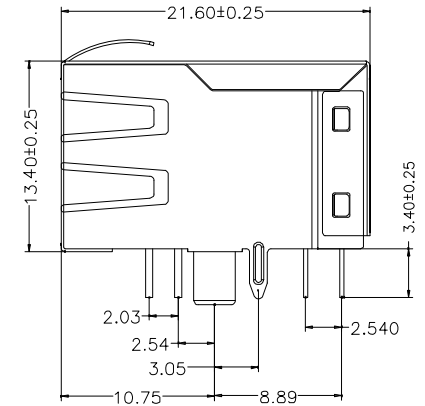


RECOMMENED PLUG DIMENSION



Part Number:

XMH-RMS-001AG-08H6-GY



TOLERANCE UNSPECIFIED	
.0	±0.38
.00	±0.25
.000	±0.10
ANGLE	±3.00°
MANUFACTURING	COPY

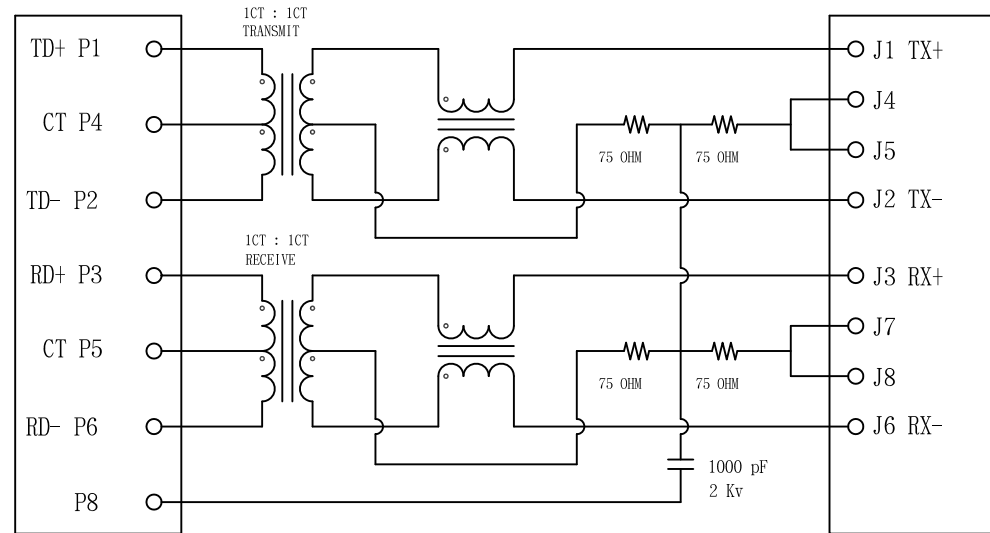
RoHS Compliant

XMULTIPLE		CONNECTING THE INFORMATION AGE	
Xmultiple Technologies, Inc. 1060 Los Angeles Avenue Simi Valley, CA 93065			G/NO:
THIS DRAWING IS A CONTROLLED DOCUMENT.			DWG NO: XMH-RMS-001AG-08H6-GY
TITLE: RJ45 Connectors, With LED, Shielded/Thru Hole/10/100M Mbps /FILTER			DRAWN: June
PART NO: XMH-RMS-001AG-08H6-GY			CHKD: Michael Lin
	UNIT mm[inch]	SHEET 2 of 1	REV 01
			DATE: 2012/11/30

SCHEMATIC

CONNECTOR SOLDER SIDE

RJ45 CONTACT SIDE




Feature:

- . Complies with IEEE standards and all 10/100 Ethernet specifications including 350uH with 8mA DC bias
- . Intergrated Mag-modular design provides higher reliability and conserves minimizing PCB space
- . Housing: Thermoplastic PBT+30%GF UL94V0 rated
- . Contact :Phosphor Bronze C5191,Thickness=0.35mm plated Nickel 30u" Min, Gold plated on content area 1u" Min
- . Input Terminal : Brass ,Thickness=0.35mm
Finish : 120n' min Tin over 50n' min Nickel
- . Metal shielding: Copper alloy with Nickel plated(C2680), Thickness=0.20mm Ni 30u" Min
- . Different color of LEDs option available
- . Operating temperature:0 °C to +70 °C
- . Storage temperature: -40 °C to +85 °C

Electrical Specifications: (25°C)

1. Turns Ratio: TX & Rx= 1:1±5%	4. Common Mode Rejection: @1~100MHz: -30dB Min @200MHz: -20dB Min
2. Insertion Loss: @1~80MHz : -1.0dB Max @ 100MHz:-1.2dB Max	5. Crosstalk: @1~100MHz : -35dB Min
3. Return Loss: @1~30MHz : -20dB Min @ 60~80MHz : -12dB Min	6. OCL: @100KHz, 0.1V 8mADC : 350uH Min
	7. Hi-Pot : 1500V AC, 1mA, 60 Sec

RoHS Compliant

X MULTIPLE		CONNECTING THE INFORMATION AGE	
Xmultiple Technologies, Inc.1060 Los Angeles Avenue Simi Valley, CA 93065		G/NO:	
THIS DRAWING IS A CONTROLLED DOCUMENT.		DWG NO: XMH-RMS-001AG-08H6-GY	
TITLE: RJ45 Connectors, With LED, Shielded/Thru Hole/10/100M Mbps /FILTER		DRAWN: June	
PART NO: XMH-RMS-001AG-08H6-GY		CHKD: Michael Lin	
		UNIT mm[inch]	DATE: 2012/11/30
		SHEET 2 of 2	REV 01