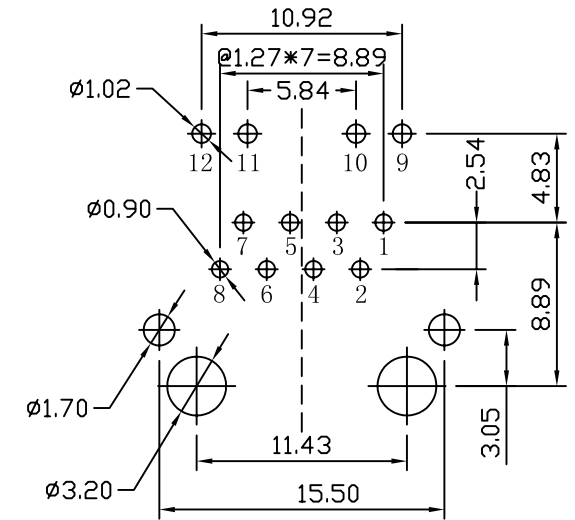
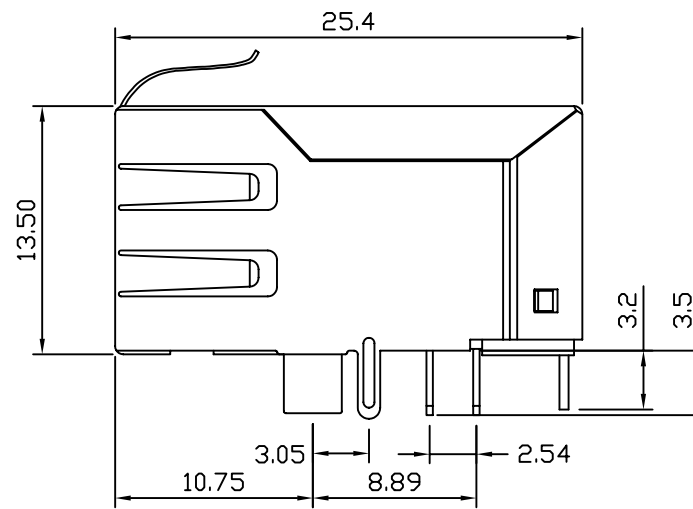
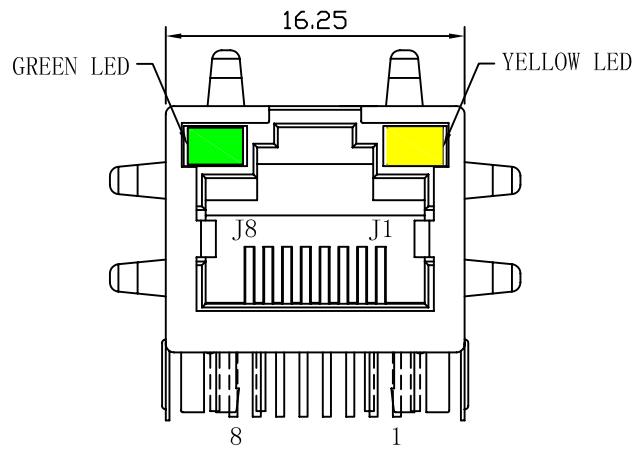
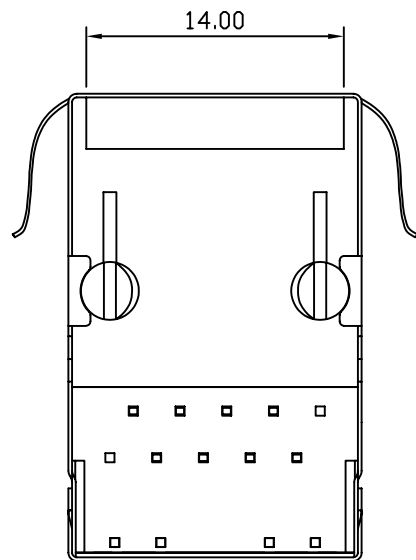


Mechanical:

| REV. | ECN NO. | DESCRIPTION | DATE | APPD |
|------|---------|-------------|------------|------|
| A | REL | | 2010/06/29 | |



SUGGESTED PCB LAYOUT (TOP VIEW)



NOTES:

1. Designed to support application, such as SOHO (ADSL modems), LAN-on-Motherboard (LOM), hub and Switches.
2. Meets IEEE 802.3 specification
3. Connector Materials:
Housing: Thermoplastic UL94V-0
Contact/Shield: Copper alloy
Shield plating: Nickel
Contact plating: Gold 6 micro-inches min. In contact area.
4. Wave solder tip temperature: 265°C Max
Wave solder tip temperature time: 5 Sec Max

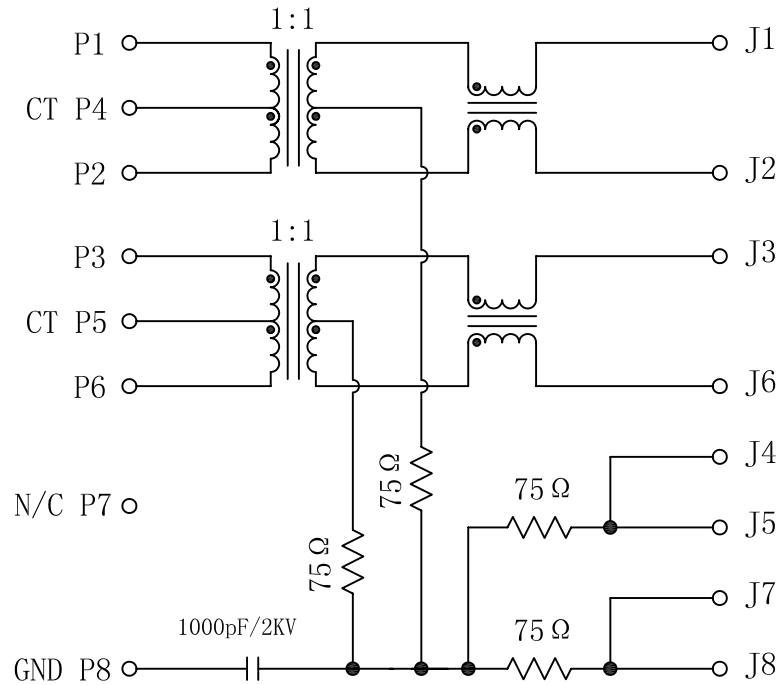


| | | | |
|----------------------|------------|-------------|--|
| X:X | ± 0.25 | APPD: | X MULTIPLE |
| X:XX | ± 0.20 | CHKD: | |
| X:XXX | ± 0.05 | DR: C. H. Y | |
| ANGLES $\pm 1^\circ$ | | UNIT: mm | TITLE: RJ45 Connector with 10/100 Base-TX Integrated Magnetics |
| | | | PART NO. : XMH-TRJ1004ABNL |
| | SCALE: 2/1 | SHEET: 1/2 | REV: A |
| | | | DWG NO. : TRC10062906 |

Schematic:

| REV. | ECN NO. | DESCRIPTION | DATE | APPD |
|------|---------|-------------|------------|------|
| A | REL | | 2010/06/29 | |

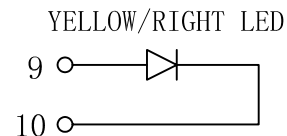
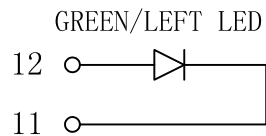
PCB SIDE TO PHY



CABLE SIDE

ELECTRICAL SPECIFICATIONS @25°C

- Turn Ratio ($\pm 3\%$):
 (P1-P2) : (J1-J2) = 1CT:1
 (P3-P6) : (J3-J6) = 1CT:1
- OCL (100KHz, 0.1Vrms, 8mA):
 (P1-P2, P3-P6) : 350uH MIN
- Insertion Loss:
 -1.1dB MAX @ 0.1-100MHz
- Return Loss:
 -18dB MIN @ 0.5-30MHz
 -15.5dB MIN @ 40MHz
 -13.6dB MIN @ 50MHz
 -12dB MIN @ 60-80MHz
- Cross talk:
 -40dB TYP @ 1-100MHz
- Common Mode Rejection:
 -50dB TYP @ 0.1-30MHz
 -40dB TYP @ 30-60MHz
 -35dB TYP @ 60-100MHz
- Isolation: 1500Vrms
- Operating Temperature: 0°C TO 70°C.



| | | |
|-------------|-------------|---|
| X:X ±0.25 | APPD: | X MULTIPLE |
| X:XX ±0.20 | CHKD: | |
| X:XXX ±0.05 | DR: C. H. Y | |
| ANGLES ±1° | UNIT: mm | TITLE: RJ45 Connector with 10/100 Base-TX Integrated Magnetics |
| | | PART NO. : XMH-TRJ1004ABNL |
| | SCALE: 2/1 | SHEET: 2/2 |
| | REV: A | DWG NO. : TRC10062906 |