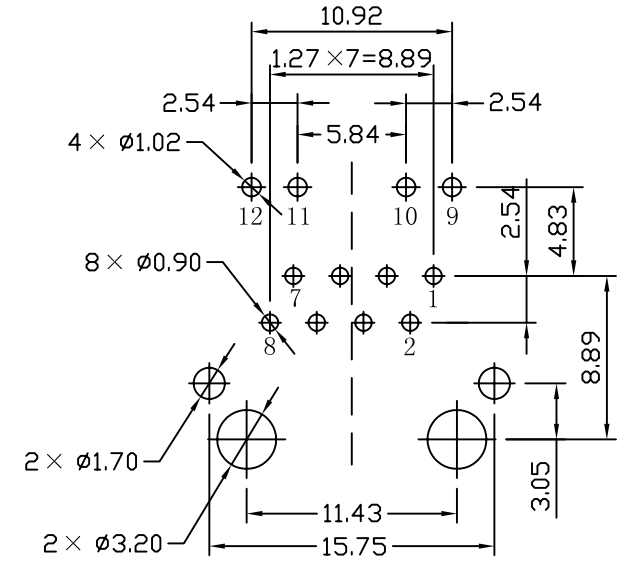
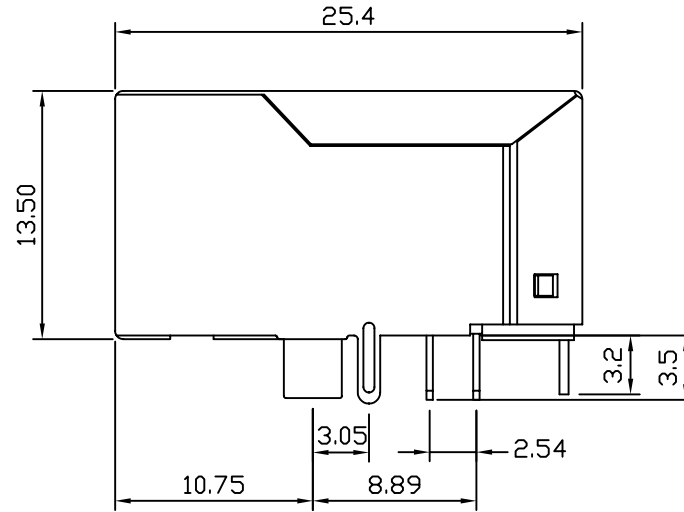
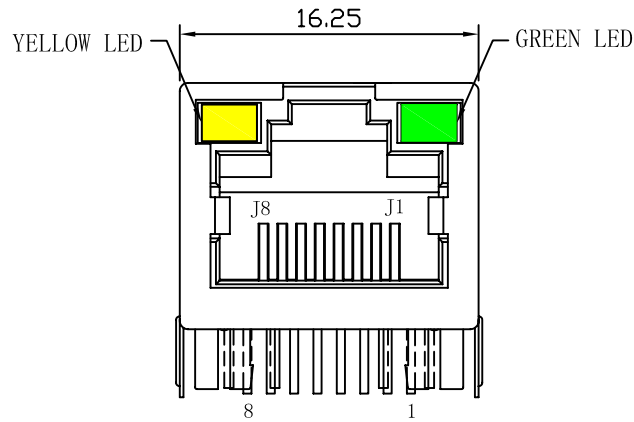
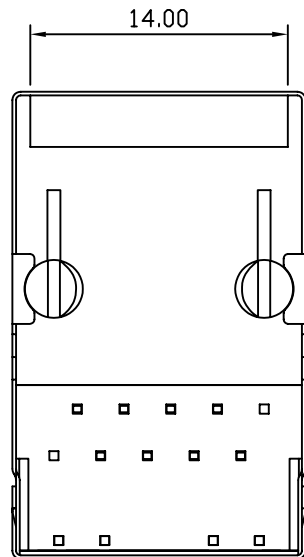


Mechanical:

REV.	ECN NO.	DESCRIPTION	DATE	APPD
A	REL		05/03/2010	



SUGGESTED PCB LAYOUT (TOP VIEW)



NOTES:

1. Designed to support application, such as SOHO (ADSL modems), LAN-on-Motherboard (LOM), hub and Switches.
2. Meets IEEE 802.3 specification
3. Connector Materials:
 Housing: Thermoplastic UL94V-0
 Contact/Shield: Copper alloy
 Shield plating: Nickel
 Contact plating: Gold 6 micro-inches min. In contact area.
4. Wave solder tip temperature: 265°C Max
 Wave solder tip temperature time: 5 Sec Max

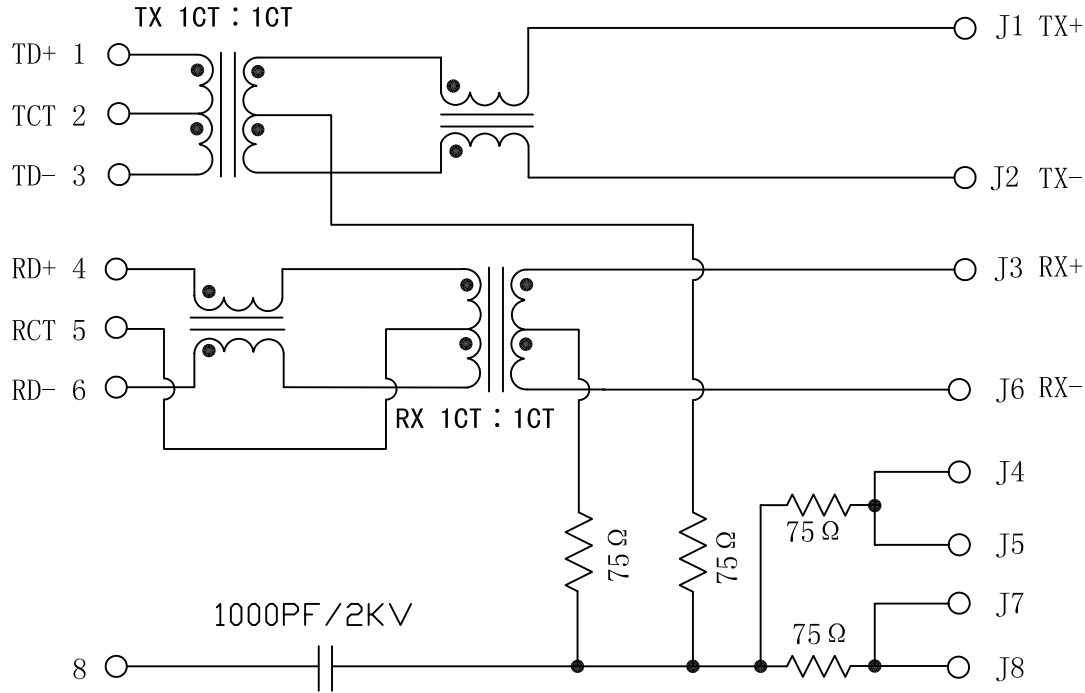


X:X ±0.25	APPD:	X MULTIPLE		
X:XX ±0.20	CHKD:			
X:XXX ±0.05	DR: C. H. Y			
ANGLES ±1°	UNIT: mm	TITLE: RJ45 Connector with 10/100 Base-T Integrated Magnetics		
		PART NO.: XMH-TRJ1012BGNL		
	SCALE: 2/1	SHEET: 1/2	REV: A	DWG NO.: TRC10030510

Schematic:

REV.	ECN NO.	DESCRIPTION	DATE	APPD
A	REL		05/03/2010	

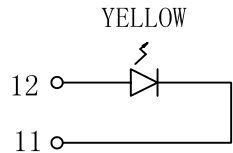
PC BOARD CONNECTIONS



RJ45 CONNECTOR

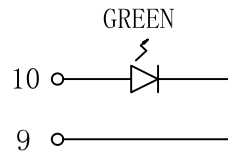
Electrical Specification @25°C

- Turns Ratio ($\pm 2\%$):
TX=1CT:1CT RX=1CT:1CT
- OCL: 350uH Min
@100KHz 0.1V 8mADC BIAS
- Insertion Loss:
1-65MHz:-1.0dB Max
- Return Loss (dB Min):
1-10MHz:-20 10-30MHz:-16
30-60MHz:-12 60-100MHz:-10
- Crosstalk (dB Min):
1-30MHz:-40 30-60MHz:-35
60-100MHz:-30
- CMR (dB Min):
1-50MHz:-30 50-150MHz:-20
- Isolation Voltage: 1500Vrms
- Operating Temperature: 0°C ~ 70°C.



LEFT LED

LED POLARITY		COLOR
PIN 12	PIN 11	
+	-	YELLOW



RIGHT LED

LED POLARITY		COLOR
PIN 10	PIN 9	
+	-	GREEN

X:X ±0.25	APPD:	X MULTIPLE
X:XX ±0.20	CHKD:	
X:XXX ±0.05	DR: C. H. Y	
ANGLES ±1°	UNIT: mm	TITLE: RJ45 Connector with 10/100 Base-T Integrated Magnetics
		PART NO.: XMH-TRJ1012BGNL
	SCALE: 2/1	SHEET: 2/2
		REV: A
		DWG NO.: TRC10030510