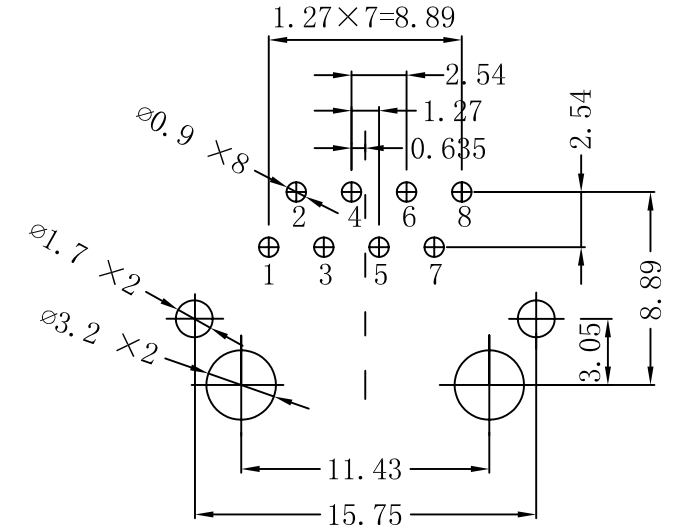
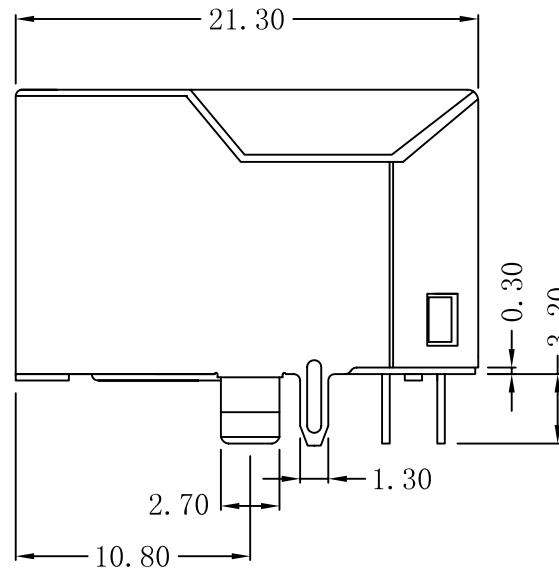
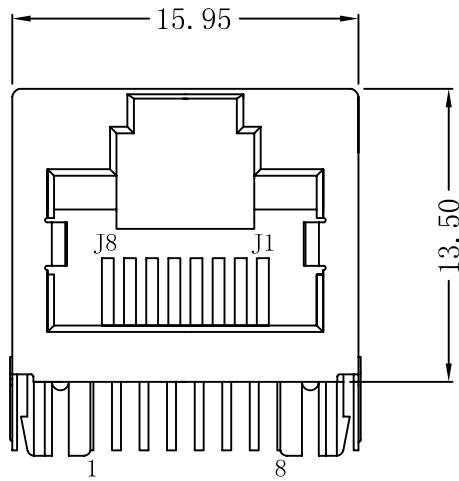


# Mechanical:

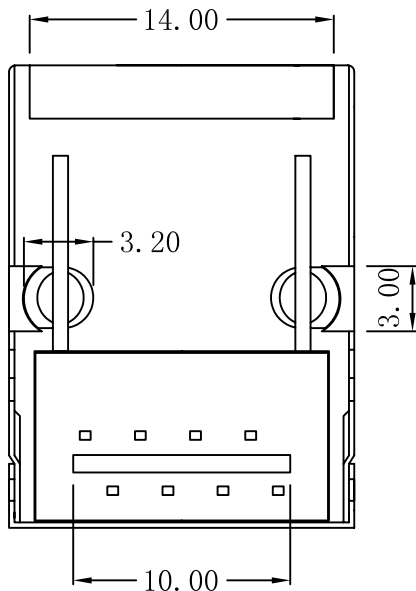
REV.	ECN NO.	DESCRIPTION	DATE	APPD
A	REL		03/04/2009	



SUGGESTED PCB LAYOUT(TOP VIEW)

## NOTES:

1. Designed to support application, such as SOHO (ADSL modems), LAN-on-Motherboard (LOM), hub and Switches.
2. Meets IEEE 802.3 specification
3. Connector Materials:  
 Housing: Thermoplastic UL94V-0  
 Contact/Shield: Copper alloy  
 Shield plating: Nickel  
 Contact plating: Gold 6 micro-inches min. In contact area.
4. Wave solder tip temperature: 265°C Max  
 Wave solder tip temperature time: 5 Sec Max

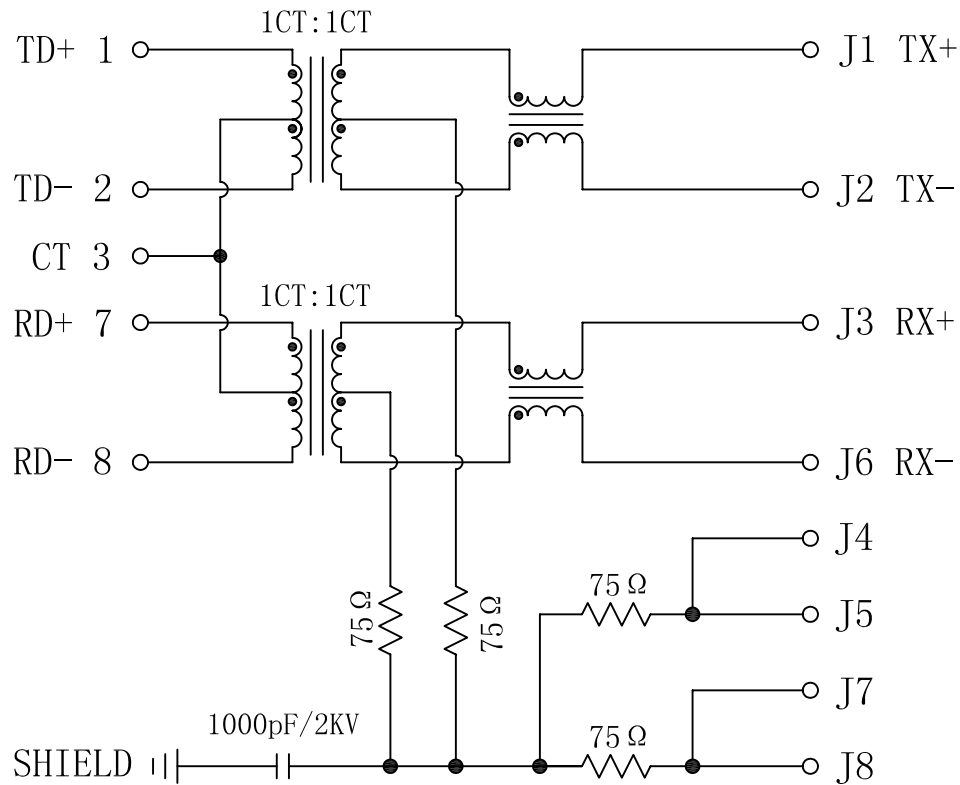


X:X	±0.20	APPD:	X MULTIPLE
X:XX	±0.10	CHKD:	
X:XXX	±0.05	DR: C. H. Y	TITLE: RJ45 Connector With 10/100 Base-TX Integrated Magnetic TAB-UP
ANGLES	±1°	UNIT: mm	PART NO.: XHM-TRJ16113DNL
	SCALE: 2/1	SHEET: 1/2	REV: A DWG NO: TRC09040302

# Schematic:

REV.	ECN NO.	DESCRIPTION	DATE	APPD
A	REL		03/04/2009	

CHIP SIDE



RJ45 SIDE

## ELECTRICAL SPECIFICATIONS @25°C

- Turn Ratio ( $\pm 2\%$ ):  
TX=1CT : 1CT      RX=1CT : 1CT
- Inductance OCL: 350uH MIN  
@100KHz/0.1Vrms 8mA DC Bias
- Insertion Loss:  
-1.0dB MAX @ 1-100MHz
- Return Loss:  
-16dB MIN @ 1-30MHz  
-14dB MIN @ 40MHz  
-12dB MIN @ 50MHz  
-10dB MIN @ 60-80MHz
- Cross talk:  
-47dB MIN @ 20MHz:  
-40dB MIN @ 40MHz:  
-37dB MIN @ 60MHz:  
-35dB MIN @ 80MHz:  
-33dB MIN @ 100MHz:
- CMRR:  
-30dB MIN @ 1-100MHz
- Isolation Voltage: 1500Vrms MIN
- Operating Temperature Range: 0°C ~ 70°C



X:X	$\pm 0.20$	APPD:	<b>X</b> MULTIPLE
X:XX	$\pm 0.10$	CHKD:	
X:XXX	$\pm 0.05$	DR: C. H. Y	
ANGLES	$\pm 1^\circ$	UNIT: mm	TITLE: RJ45 Connector With 10/100 Base-TX Integrated Magnetic TAB-UP
			PART NO.: XHM-TRJ16113DNL
	SCALE: 2/1	SHEET: 2/2	REV: A      DWG NO: TRC09040302